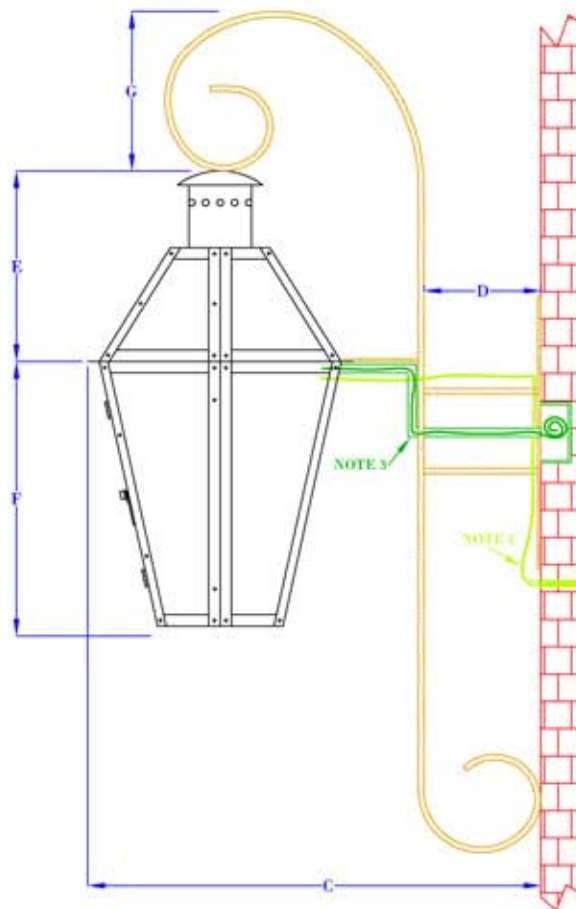
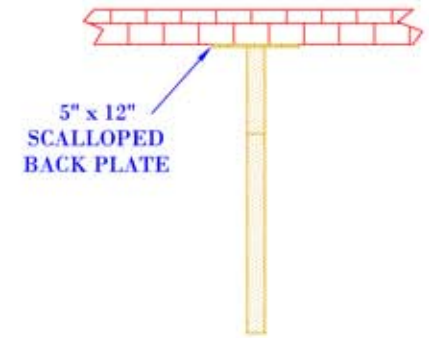


**FRONT VIEW**  
(NTS)



**SIDE VIEW**  
(NTS)



5" x 12"  
SCALLOPED  
BACK PLATE

**TOP VIEW**  
(NTS-BRACKET ONLY)

**NOTES:**

1. MOUNTING HARDWARE SUPPLIED BY OTHERS
2. FIXTURES ARE HANDCRAFTED. DIMENSIONS MAY VARY PLUS OR MINUS  $\frac{1}{4}$ "
3. ELECTRIC LIGHTS SUPPLIED WITH 18/2 WIRE WITH GROUND
4. GAS LIGHTS SUPPLIED WITH  $\frac{3}{16}$ " COPPER GAS LINE AND  $\frac{3}{16}$ " x  $\frac{1}{4}$ " GAS LINE ADAPTOR

SIZE:	19"	22"	25"	27"
A:	37"	37"	45"	45"
B:	13 $\frac{5}{8}$ "	14 $\frac{5}{8}$ "	15 $\frac{3}{4}$ "	17 $\frac{7}{8}$ "
C:	19 $\frac{1}{2}$ "	20"	22"	22 $\frac{1}{2}$ "
D:	5"	5"	5"	5"
E:	8 $\frac{5}{8}$ "	10 $\frac{5}{8}$ "	12"	12 $\frac{1}{2}$ "
F:	11 $\frac{3}{4}$ "	12 $\frac{3}{8}$ "	13"	14 $\frac{1}{8}$ "
G:	7"	7"	8"	8"

# BEVOLO GAS & ELECTRIC LIGHTS

DRW BY: JJG

**LIGHT:** SIX SIDED

DATE: APP. BY: MAJ

COPYRIGHT 2009, BEVOLO GAS & ELECTRIC LIGHTS. DRAWINGS & DESIGNS ARE OWNED BY BEVOLO AND REMAIN THE SOLE AND EXCLUSIVE PROPERTY OF BEVOLO GAS & ELECTRIC LIGHTS. DRAWINGS AND DESIGNS SHALL NOT BE DUPLICATED IN WHOLE OR PART.

**BRACKET:** RODIN

9-24-2010 REVISION: 1