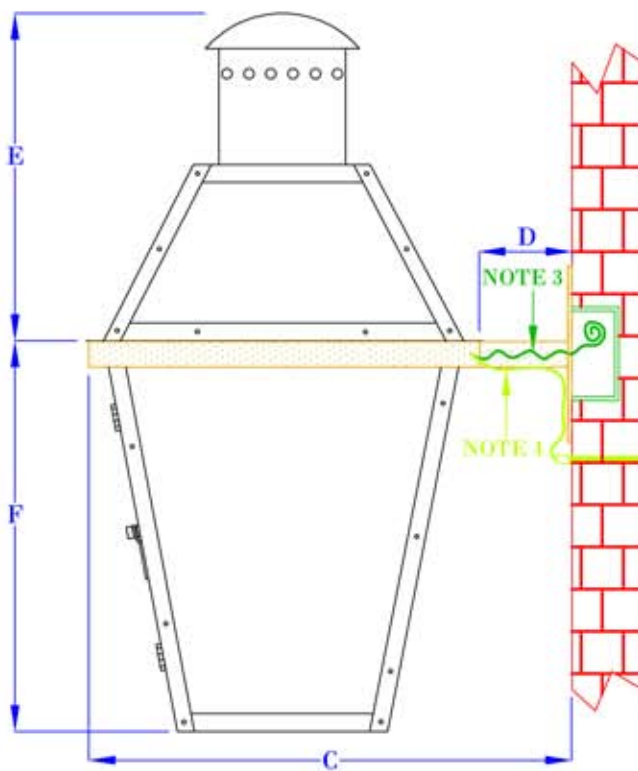
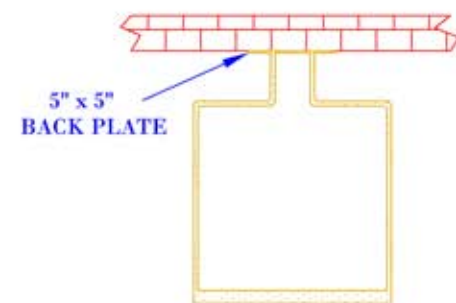


FRONT VIEW
(NTS)



SIDE VIEW
(NTS)



TOP VIEW
(NTS-BRACKET ONLY)

NOTES:

1. MOUNTING HARDWARE SUPPLIED BY OTHERS
2. FIXTURES ARE HANDCRAFTED. DIMENSIONS MAY VARY PLUS OR MINUS $\frac{1}{4}$ "
3. ELECTRIC LIGHTS SUPPLIED WITH 18/2 WIRE WITH GROUND
4. GAS LIGHTS SUPPLIED WITH $\frac{3}{16}$ " COPPER GAS LINE AND $\frac{3}{16}$ " x $\frac{1}{4}$ " GAS LINE ADAPTOR

SIZE:	14"	18"	21"	24"	27"	30"	36"
A:	14 $\frac{1}{4}$ "	17 $\frac{3}{4}$ "	20 $\frac{1}{2}$ "	25 $\frac{1}{4}$ "	26 $\frac{1}{4}$ "	30 $\frac{5}{8}$ "	37"
B:	9 $\frac{1}{4}$ "	10 $\frac{1}{2}$ "	11 $\frac{1}{2}$ "	13 $\frac{1}{4}$ "	14 $\frac{1}{2}$ "	17 $\frac{1}{2}$ "	21 $\frac{1}{2}$ "
C:	11 $\frac{3}{4}$ "	13"	14"	15 $\frac{3}{4}$ "	17"	20"	24"
D:	2 $\frac{1}{2}$ "	2 $\frac{1}{2}$ "	2 $\frac{1}{2}$ "	2 $\frac{1}{2}$ "	2 $\frac{1}{2}$ "	2 $\frac{1}{2}$ "	2 $\frac{1}{2}$ "
E:	6 $\frac{1}{4}$ "	7 $\frac{5}{8}$ "	9 $\frac{3}{8}$ "	12 $\frac{3}{8}$ "	11 $\frac{7}{8}$ "	14 $\frac{1}{2}$ "	17 $\frac{3}{8}$ "
F:	8"	10 $\frac{1}{8}$ "	11 $\frac{1}{8}$ "	12 $\frac{7}{8}$ "	14 $\frac{3}{8}$ "	16 $\frac{1}{8}$ "	19 $\frac{5}{8}$ "

BEVOLO GAS & ELECTRIC LIGHTS

LIGHT: FRENCH QUARTER
BRACKET: ORIGINAL BRACKET MOUNT

DRW BY: JJG
APP BY: MAJ
DATE: 9-17-2010
REVISION: 3

COPYRIGHT 2009, BEVOLO GAS & ELECTRIC LIGHTS. DRAWINGS & DESIGNS ARE OWNED BY BEVOLO AND REMAIN THE SOLE AND EXCLUSIVE PROPERTY OF BEVOLO GAS & ELECTRIC LIGHTS. DRAWINGS AND DESIGNS SHALL NOT BE DUPLICATED IN WHOLE OR PART.