

# BREAKING NEWS

---



# STAY UPDATED

Subscribe to our newsletter to stay updated on Strands' latest product releases. Once a week you'll receive in-depth guides on vehicle lighting, special announcements, and essential information about exciting new products.



Subscribe to our newsletter to receive the latest news on vehicle lighting



## READ STRANDS CATALOGS ONLINE

Did you know you can read this and all of our catalogs online? Scan the QR code to access previous Breaking News catalogs, as well as catalogs for model-adapted warning lights, agricultural vehicles, off-highway, trucks, product series, and more. If you're looking for inspiration for your next lighting project, this is the place to start.



Check out the catalogs here

## MODEL-ADAPTED LIGHTING SOLUTION

Strands Lighting Division proudly presents a revolutionary range of model-adapted lighting solutions for light commercial vehicles, available for over 70 vehicle models. These solutions include integrated roof racks, roof bars, and grille-mounted LED systems. Designed for professional use, they combine high-performance lighting with OEM-grade fit and easy installation. Whether you're an LCV dealer, upfitter, or installer, our plug-and-play concepts help you save time, reduce installation errors, and deliver premium solutions to your customers. These solutions are crash-tested, ECE-approved, corrosion-resistant, and include a unique 3-year functional warranty.



Check out our model-adapted



## FUNCTION WARRANTY THREE TO SIX YEARS

More than design, quality, and performance, we offer peace of mind. All products in the Strands Lighting Division range are covered by a unique function warranty, valid for 3 to 6 years. The warranty is unique on the market and covers faults related to manufacturing, materials, and assembly. Our goal is to improve service, increase customer satisfaction, and emphasize our brand's quality.



strands®  
-lighting division

# ▶ YOUTUBE



## TRUCK TOUR

Meeting different drivers and seeing all the passion that goes into creating each unique truck is a huge inspiration and pure joy. Every fair means an opportunity to see the multitude of ways you use Strands' products. If you're curious about some of the trucks and drivers we've met during different fairs over the years, take a look at the Truck Tour playlist. In each episode, we get to listen to a driver guiding us through the look and products of their truck.



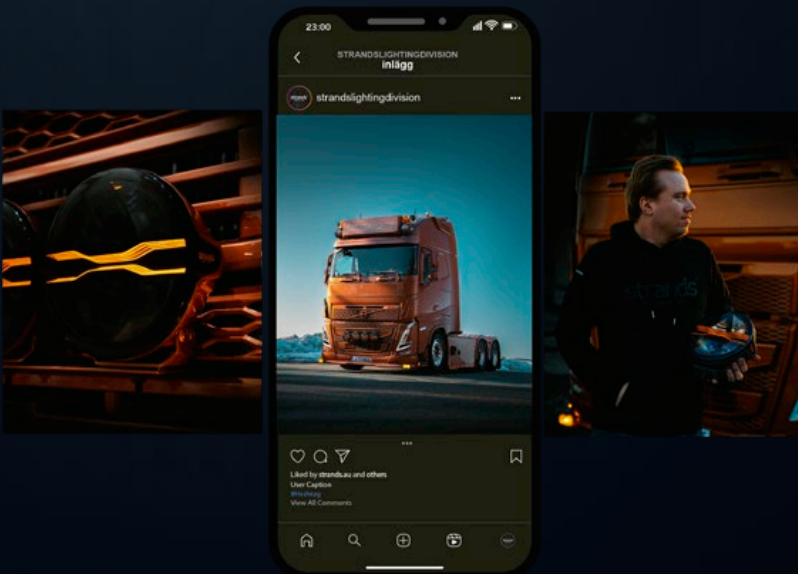
Follow us on YouTube

## HOW TO

Want a deep dive into your favorite products? On our YouTube channel, you'll see the products up close and learn about their functions and installation. If you're wondering how to connect the wires, what the lighting patterns look like, or want a close-up of the design, these informative videos are the place to start.



# 📷 INSTAGRAM



## INSTAGRAM

Follow us on Instagram to participate in competitions, see our collaborations and follower content, and be the first to learn about exciting new product releases. We love to see all the creative ways you use your Strands products in action, so tag us @strandslightingdivision to be featured in our highlights section.



Follow us on Instagram



strands®  
-lighting division

# IZE LED TORPEDO

Part No. 850426-850427

- ✓ 18W
- ✓ SMOKED LENS
- ✓ WHITE AND AMBER POSITION LIGHT

✓ **DUAL POSITION LIGHT  
AND WARNING LIGHT**

Choose between a white or amber position light and combine it with the warning light for extra effect. Light up your passion for your work and style every mile of the road.

**SILVER ARROW  
TORPEDO**

Part No. 850427

**BLACK BULLET  
TORPEDO**

Part No. 850426

✓ 10-32V DC



Use the QR code to  
check out the products



**strands**<sup>®</sup>  
-lighting division

# IZE LED DOUBLE BURNER

Part No. 850459, 850458

- ✓ 10W
- ✓ WHITE AND AMBER
- ✓ E-APPROVED AS FRONT POSITION LIGHT AND SIDE MARKER LIGHT
- ✓ 10-32V DC
- ✓ DOUBLE BURNER

## SILVER ARROW DOUBLE BURNER

Part No. 850458



### ✓ DUO COLOR AND WARNING LIGHT

In addition to attitude and style, the IZE LED double burner has a built-in warning light for extra visibility. The amber warning light has 21 light patterns to fit any situation. You can synchronize up to 12 double burners or Dark Knight Strobe lights for a complete look around your truck.

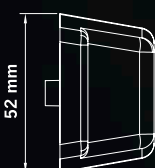
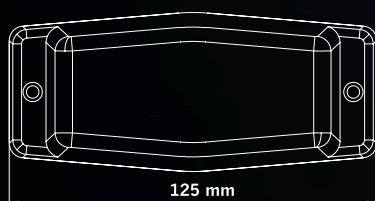
## BLACK BULLET DOUBLE BURNER

Part No. 850459



### ✓ CORROSION-FREE

Be the center of attention with this undeniable old-school look. We've taken the classic double burner and driven it into the future. You'll recognize the style and shape, but with a quality and feel thoroughly updated to fit the modern driver.



Use the QR code to  
check out the products



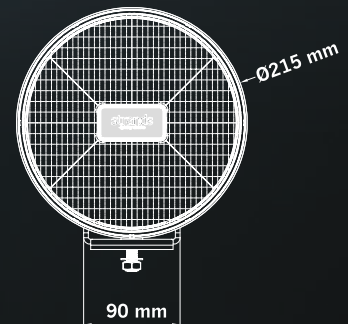
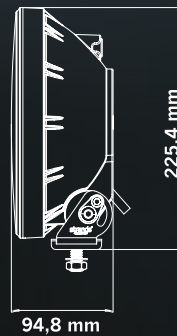
strands®  
-lighting division

# IZE LED OG 9"

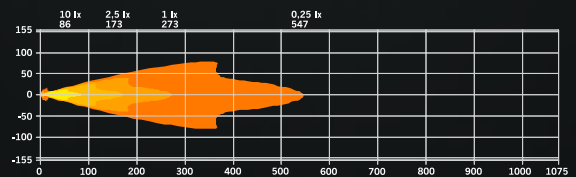
- ✓ DURABLE AND EASY TO INSTALL
- ✓ 1 LUX @ 500 M
- ✓ 12 000 LUMEN



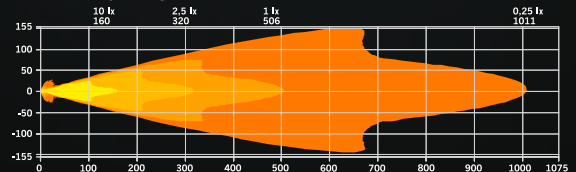
✓ **COLOR TEMPERATURE**  
4500K



## E-MODE



## XPERIENCE MODE



Use the QR code to check out the product.

Part No. 270945

### XPERIENCE-MODE

Consumption 172W  
Actual lumen 12 000 lm  
1 lux @ 506 m

### E-MODE

Consumption 30W  
Actual lumen 3220 lm  
1 lux @ 273 m

Voltage 12-36V DC  
IP-Class IP68/69K  
Color temperature 4500K  
Position light White and amber  
Color lens Clear  
Color LED White and amber  
Connection Cable  
Cable length 2500 mm  
Material housing Aluminium

Material lens Polycarbonate  
Depth 94,8 mm  
Height including bracket 225,4 mm  
Diameter 215 mm  
Operating temperature -40°C - +60°C  
E-approved ECE R148, R149  
Ref 20  
EMC-certificate ECE R10



**strands**  
-lighting division



strands®  
-lighting division

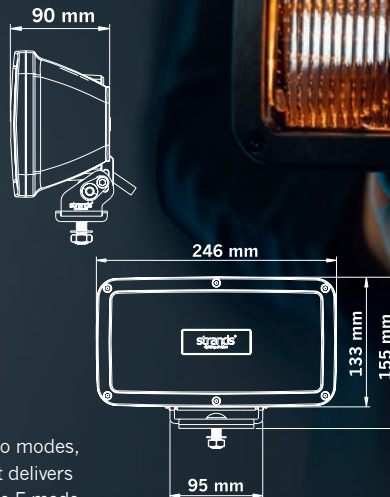
# IZE LED OG REX

Part No. 901012

- ✓ DRIVING LIGHT
- ✓ 1 LUX @ 412 M
- ✓ DUO POSITION LIGHT  
WARM WHITE AND AMBER
- ✓ E-APPROVED

✓ 9400 ACTUAL LUMENS

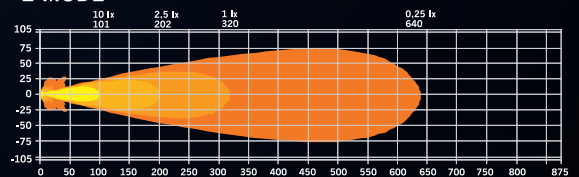
The OG REX has an optimized beam pattern with two modes, E-mode and Xperience mode. With Xperience mode it delivers 9400 actual lumens for a range of 410 meters, and the E-mode is E-approved. Both modes provides a balanced forward and sideways visibility. Thanks to the 4500 K color temperature, the output is clear and bright.



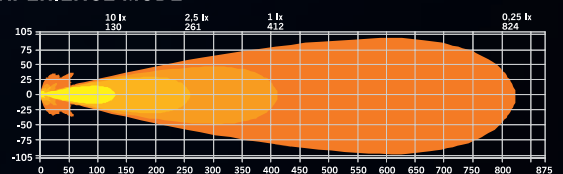
Use the QR code to check out the products



### E-MODE



### XPERIENCE MODE

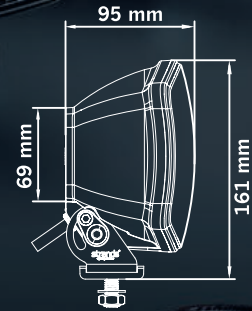
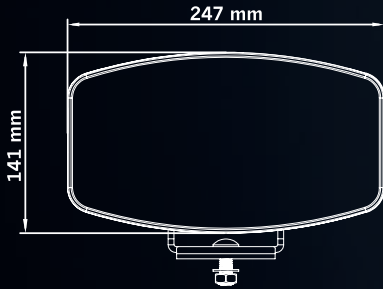


strands®  
-lighting division

# IZE LED OG OVAL

- ✓ DRIVING LIGHT
- ✓ 4500K DRIVING LIGHT COLOR TEMPERATURE
- ✓ WARM WHITE WITH 3500K / AMBER POSITION LIGHT

Part No. 901011



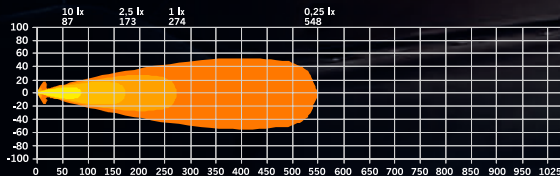
✓ **11 800 ACTUAL LUMENS**

IZE LED OG Oval delivers an impressive 11,800 actual lumens with a range of over 480 meters in Xperience mode. The E-approved mode is ideal for European roads and reduces glare in rain or snow. With two modes, you can adjust the light to suit driving conditions. An optimized beam pattern ensures excellent forward and side visibility. The 4500 K color temperature creates a clear and bright output.

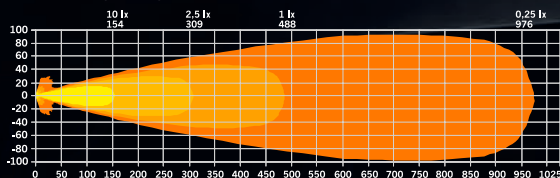
OLD SCHOOL  
STYLE



**E-MODE**



**XPERIENCE MODE**



Use the QR code to check out the products

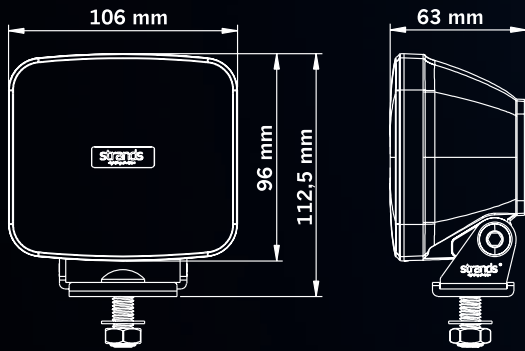


**strands**  
-lighting division

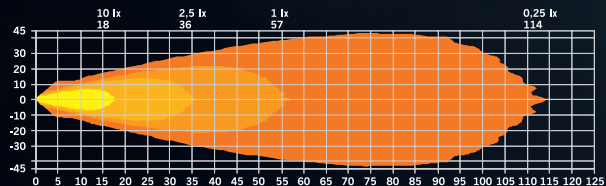
# IZE LED OG WORK LIGHT

Part No. 906000

- ✓ RETRO OLD SCHOOL DESIGN
- ✓ 4500K COLOR TEMPERATURE
- ✓ UP TO 3500 LM



✓ CONSUMPTION  
42W



✓ WIDE BEAM AND 3400 ACTUAL LUMENS

No matter where you work, you need a work light that's bright and comfortable. With its 3400 lumens and 57-meter range, the OG provides powerful and clear illumination for any jobsite. A 4500 K color temperature delivers a bright, crisp output.

✓ COLOR LED  
WHITE



Use the QR code to check out the products



strands®  
-lighting division

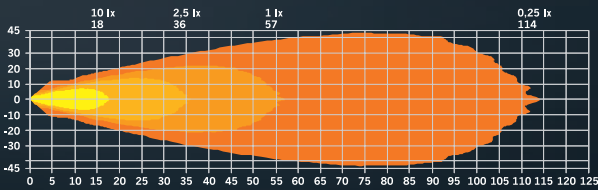
# IZE LED OG WORK LIGHT WITH POSITION LIGHT

Part No. 906001

- ✓ RETRO OLD SCHOOL DESIGN
- ✓ 4500K COLOR TEMPERATURE
- ✓ RED AND AMBER POSITION LIGHT
- ✓ LOOSE CABLE WITH SEPARATE DT-4

## ✓ RED AND AMBER POSITION LIGHT

If you want a clean look for your vehicle, this is it. The OG has everything you need in a work light: solid quality, sleek style, and powerful illumination. And, a red and amber position light. Its design looks good anywhere without disrupting your vehicle's overall style. Its compact size means it fits on any vehicle, from pickups to trucks and heavy machinery. The OG work light is also available without position lights (Part No. 906000).



- ✓ **COLOR LED**  
WHITE, RED AND AMBER

## ✓ DURABLE AND EVERYTHING YOU NEED FOR INSTALLATION

The OG work light is IP-rated IP68/69K for maximum resistance to rain and dirt. Its high-quality aluminum housing and PC lens ensure a long lifespan, and the OG is covered by Strands' market-leading 3-year warranty. Everything you need for installation is included in the package: bracket, M10 bolt, washer, nut, and rubber pad. It's installed using a 1 m cable.

## ✓ CONSUMPTION 42W



Use the QR code to check out the products



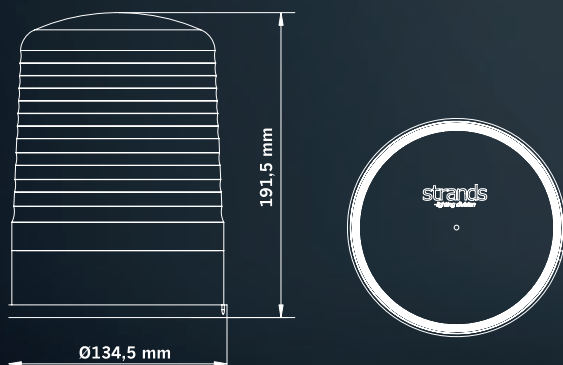
**strands**  
-lighting division



# IZE LED LIGHTHOUSE

Part No. 905003

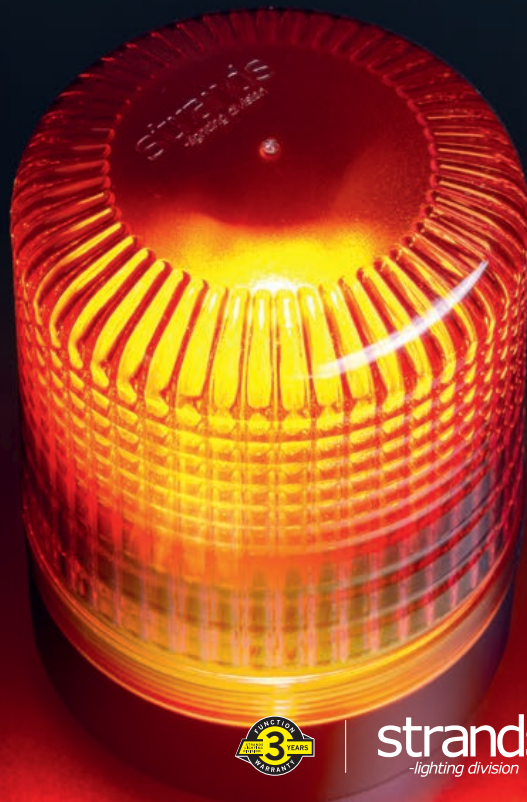
- ✓ *RETRO DESIGN*
- ✓ *FULL LED*
- ✓ *NO CORROSION*
- ✓ *ECE R65 APPROVED*



✓ **COMPLETELY  
MECHANICAL**

✓ **EASY TO INSTALL**

Designed for quick and secure installation, the IZE LED Lighthouse includes everything needed for mounting—300 mm cable, M4 screws, ST4 self-tapping screws, nuts, washers, and a rubber pad. It measures 191.5 mm in height, 135 mm in diameter, and 90.9/103.9 mm CC. Every part is engineered for a tight, lasting fit.



✓ **POWERFUL AMBER BEACON**

The textured lens is the perfect canvas for the powerful amber beam, and it's E-approved R65. It provides clear, attention-grabbing illumination in all conditions. The steady rotation pattern provides high visibility and safety on any job.



Use the QR code to  
check out the products



**strands**<sup>®</sup>  
-lighting division

# IZE LED MELON

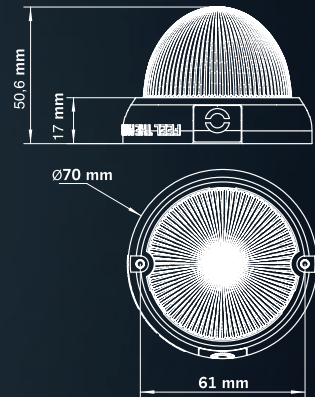
PART NO. 903000

✓ **IP-CLASS**  
IP50

- ✓ 1 LAMP, 6 COLORS
- ✓ BUILT IN MEMORY
- ✓ EASY TO MOUNT,  
PERFECT FOR YOUR TRUCK
- ✓ A NEW ERA OF LED  
INTERIOR LIGHTS



**INTERIOR LIGHT**  
Part No. 903000



See the different  
colors here

CLICK TO  
CHANGE  
COLOR

✓ **CONSUMPTION**  
2,9W



✓ **MULTIVOLT AND SCRATCHPROOF**

Melon is engineered to provide maximum durability and reliability. Built with a scratchproof PC lens and chrome ring, it's designed to handle the demands of life on the road while maintaining a stylish, professional look. With multivolt capability (12-24 V) and ultra-low power draw, this truck cab LED light combines top performance with energy efficiency.



Use the QR code to  
check out the product.



**strands**  
-lighting division

# DARK KNIGHT IZE LED

Part No.  
800620  
800621  
800622  
800623  
800624

**RUBBER GASKET**  
Part No. 800612



Part No.  
800625  
800626  
800612

✓ **E-APPROVED**

The series is fully E-approved, ideal for trucks, trailers, pickup trucks, construction equipment and other similar vehicles.

✓ **CUSTOMIZATION**

Customize your lamp with premium chrome rings. Choose between Light Chrome (Part No. 800625) or Dark Chrome (Part No. 800626).



**strands**<sup>®</sup>  
-lighting division

DYNAMIC START UP



**3 FUNCTION TAIL LIGHT**

Part No. 800621 (Left), 800622 (Right)

DYNAMIC INDICATOR



**INDICATOR LIGHT**

Part No. 800623



✓ **ALL BLACK**

Release your dark side with the all-black versions of IZE LED. Dark Knight comes with a dark tinted lens and dark chrome ring.

**TAIL/BRAKE LIGHT**

Part No. 800620

**REVERSE/FOG LIGHT**

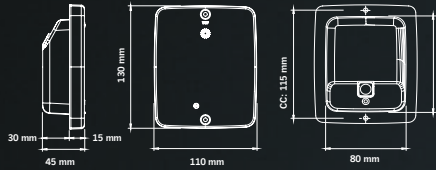
Part No. 800624



**strands**<sup>®</sup>  
-lighting division

# IZE LED SQUARE

- ✓ E-APPROVED
- ✓ CLEAR, DARK, AND COLORED LENSES
- ✓ ALL TAIL LIGHT FUNCTIONS
- ✓ 115 MM CC



- ✓ ALL TAIL LIGHT FUNCTIONS

You can find all tail light functions in the IZE LED series, in many combinations. Tail lights, brake lights, reverse lights, as well as indicators, warning lights, and fog lights. Everything you need to stay safe and visible in any weather.

## IZE LED CLEAR

Part No. 800108, 800115-16, 800123, 800126-800128



## DARK KNIGHT IZE LED

Part No. 800630-800634

## IZE LED COLORED LENS

Part No. 800109-800111, 800114

- ✓ OUR BEST-SELLING LIGHT OF ALL TIME

Strands Lighting Division's best-selling light of all time. The IZE LED series has revolutionized the market and consists of rectangular and round lights in clear, dark, or colored lenses, offering different functions for various needs.

- ✓ 24V DC

- ✓ E-APPROVED

Loaded with power and cutting-edge features, it captivates from every angle and adapts effortlessly to various vehicles. It's fully E-approved, the installation is a breeze, and its quality remains high regardless of year or mileage.

- ✓ SMOOTH INSTALLATION

Thanks to its size, it's easy to replace your outdated lights with the IZE LED. By using the IZE LED frames or rubber housings for installation, it's easy to install and customize your look.



Use the QR code to check out the product.



strands®  
-lighting division





strands®  
-lighting division

# IZE LED ACCESSORIES



Use the QR code to check out the product.

## ✓ PROTECT YOUR VEHICLE

For a durable and straightforward installation of your IZE LED tail light, use the IZE LED rubber housing. It protects both the light and the vehicle from corrosion and vibration.

### IZE LED RUBBER HOUSING DOUBLE

Part No. 800113



### IZE LED RUBBER HOUSING SINGLE

Part No. 800112



The IZE LED lights can also be installed using the IZE LED rubber gasket (Part No. 800112-P)

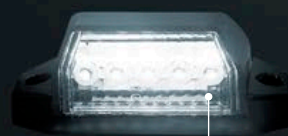
## ✓ 4 LED DIODES

LED license plate lighting with a black frame and clear glass. The lamp has 4 LED diodes that illuminate the license plate. Elegant design and two screw holes in the frame facilitate the assembly process.



Use the QR code to check out the product.

- ✓ 24V DC
- ✓ 2,5 M CABLE



### LICENSE PLATE LIGHT

Part No. 800033



strands®  
-lighting division

# IZE LED FRAME

✓ 1-5 X SQUARE



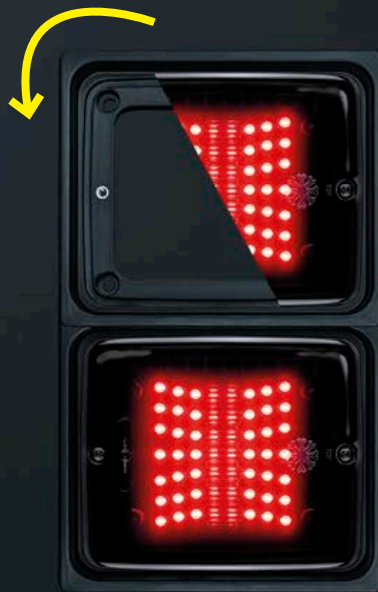
✓ HORIZONTAL AND VERTICAL OPTIONS

The frame is available in various sizes. Choose between 1, 2, 3, 4, or 5 to tailor your lighting experience. They come with horizontal and vertical options, allowing you to create the expression that suits you the best.

Part No.  
800635  
800636  
800637  
800638  
800639  
800640

✓ EASY TO PAINT IN YOUR  
PREFERRED COLOR

With its modern design, the frame can be painted effortlessly in any color that aligns with your style, enhancing your vehicle's aesthetics.



✓ STYLISH, SEAMLESS,  
AND EFFORTLESS MOUNTING  
IZE LED Frame is the ideal housing for your IZE LEDs. The installation is easy and seamless, and you can effortlessly replace the lights when needed.



Use the QR code to  
check out the product.



strands®  
-lighting division

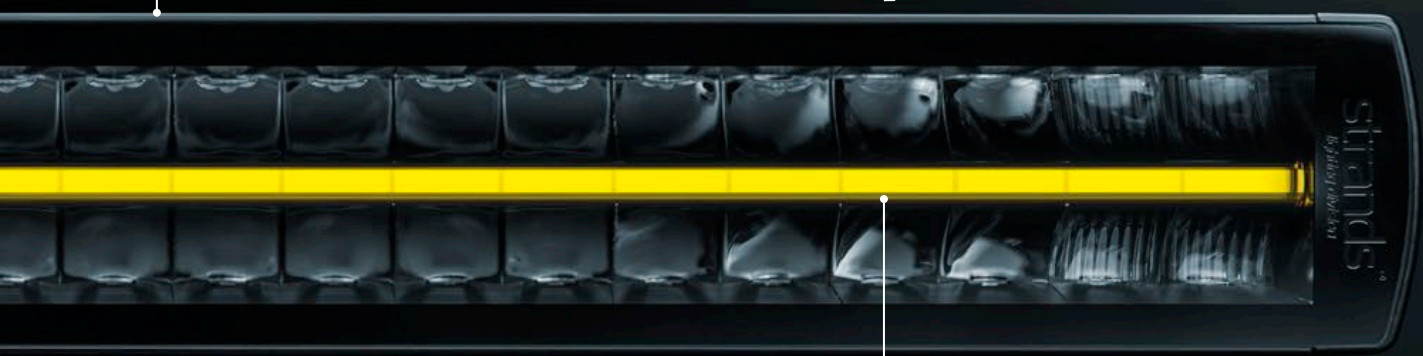
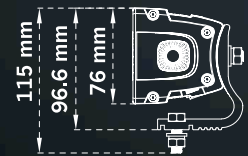
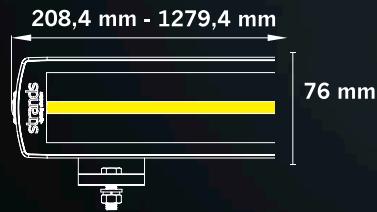
# SIBER

DOUBLE ROW



809425  
809426  
809427  
809428  
809429  
809430

809425 (8") - 809430 (50")



30 000 LUMEN

## ✓ A NEW EXTREME OUTPUT

The Siberia XP Double Row LED bar is available in 8" to 50" models, with an output up to 100% stronger than previously. In Xperience mode, it achieves 4300 - 30 000 actual lumens, with a range of 544-1258 meters @ 1 lux. The E-mode is E-approved R148/149 with reference number 20, suitable for European drivers and poor weather conditions. Based on your requirements, the different models have extended or long-distance beam patterns. A color temperature of 5700K ensures a bright and clear illumination. The IP rating of IP68/IP69K ensures high protection against dirt and water. 20" and above feature the Hello function and an integrated relay. Siberia XP is covered by Strands Lighting Divisions' 3-year function warranty.



Use the QR code to check out the products



strands®  
-lighting division

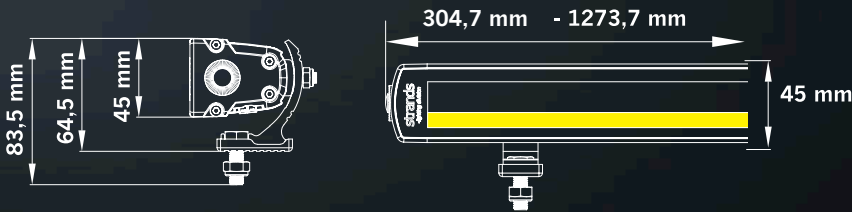
# SIBERIA XP

SINGLE ROW

809411  
809412  
809413  
809414  
809415



WHITE AND YELLOW  
POSITION LIGHT



809411 (12") - 809415 (50")



16 500 LUMEN

## ✓ XPERIENCE MODE AND E-MODE

Get ready to experience the Siberia XP Single Row LED bar. It's available in 12" to 50" models, producing 3620-16500 actual lumens in Xperience mode. They have optimized, extended, or long-distance beam patterns, ranging between 454 and 878 meters. The E-mode is E-approved R148/R149 with reference number 20. The 5700 K color temperature ensures a crisp and clear illumination. It's incredibly durable and can withstand vibrations, rough roads, and hard use. With an IP rating of IP68/IP69K, it has high protection against dirt and water. 20" and above feature the Hello function and an integrated relay. Siberia XP is covered by Strands Lighting Divisions' 3-year function warranty.



Use the QR code to  
check out the products



strands®  
-lighting division

# NUUK D-LINE LED BAR

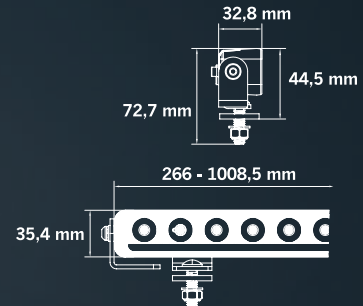


Use the QR code to check out the products.

- ✓ 19 600 LM
- ✓ 1 LUX @ 580 M

## ✓ XPERIENCE BOOST MODE

The beam pattern should be superb and perfectly tailored to boost the high beam, adding range and brightness. We added the Xperience mode, a powerful feature, so you can adapt quickly to changing weather conditions.

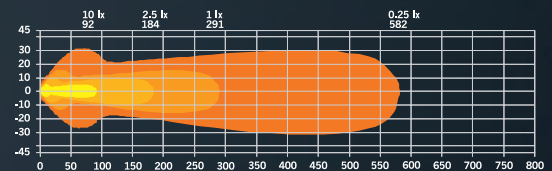


## 10''

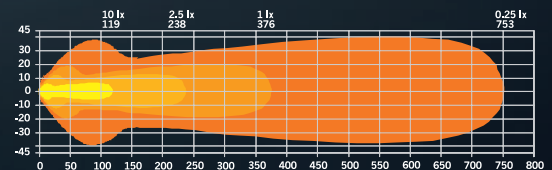
Part No. 809451



### E-MODE



### XPERIENCE MODE



## ✓ CONTEMPORARY DESIGN

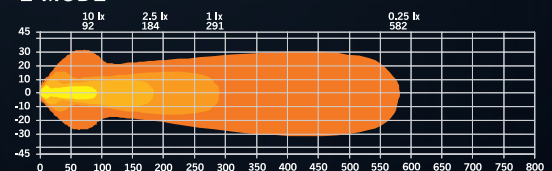
The duo-color position light in white and amber adds an attention-grabbing touch, underlining the dark look of the housing and lens. Any driver can achieve increased safety and visibility with 10'' - 40'' LED bar models, Xperience mode, and optimized or extended beam patterns.

## 20''

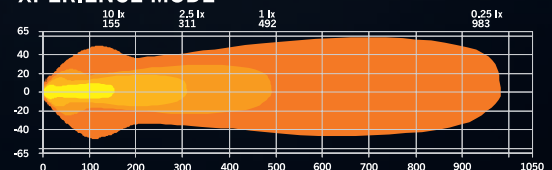
Part No. 809452



### E-MODE



### XPERIENCE MODE



strands®  
-lighting division

# 30''

Part No. 809453



## ✓ FITS ALL VEHICLES

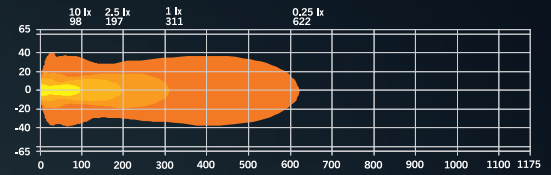
Thanks to the slim housing and variety of sizes, drivers of cars, LCVs, and trucks can all find a D-Line to fit their needs. The E-approved mode is suitable for European roads. With the Xperience mode, the output gets a massive boost that is suitable for the darkest nights.

# 40''

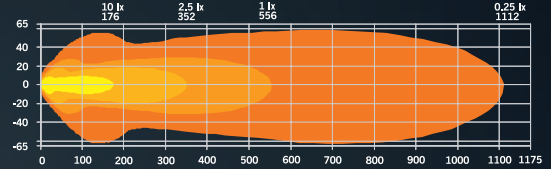
Part No. 809454



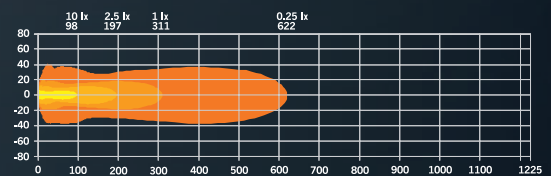
### E-MODE



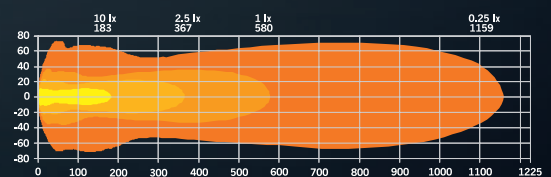
### XPERIENCE MODE



### E-MODE



### XPERIENCE MODE



### NUUK D-LINE LED BAR 20''

Part No. 809455



## ✓ EVERYTHING IS INCLUDED

The Nuuk D-Line has a built-in relay and cable harness. It's slim and lightweight, which makes it easy to place. You'll also find everything you need for installation included in the package: screws, bolts, nuts, washers, 3 pcs dura seal, and silicone pads. The 2.5 m cable ensures plenty of reach, and it's used with 9-36 V. It can be installed as is or with a license plate holder. (Part No. 809455).



Use the QR code to check out the product.



**strands**<sup>®</sup>  
-lighting division

# FOUR SIMPLE STEPS TO FIND YOUR MODEL-ADAPTED SOLUTION

## WEBSITE

Go to [strandseurope.com](http://strandseurope.com)



## CHOOSE BRAND & MODEL

Choose your brand and your model on your vehicle

## TYPE

Choose LED BAR kits and you will see a grill kit tailored to your vehicle.

10:48

strands

SV / EN

✓ Passion ✓

strands®  
-lighting division

Search product

MODEL

Fits to:  
**MERCEDES**

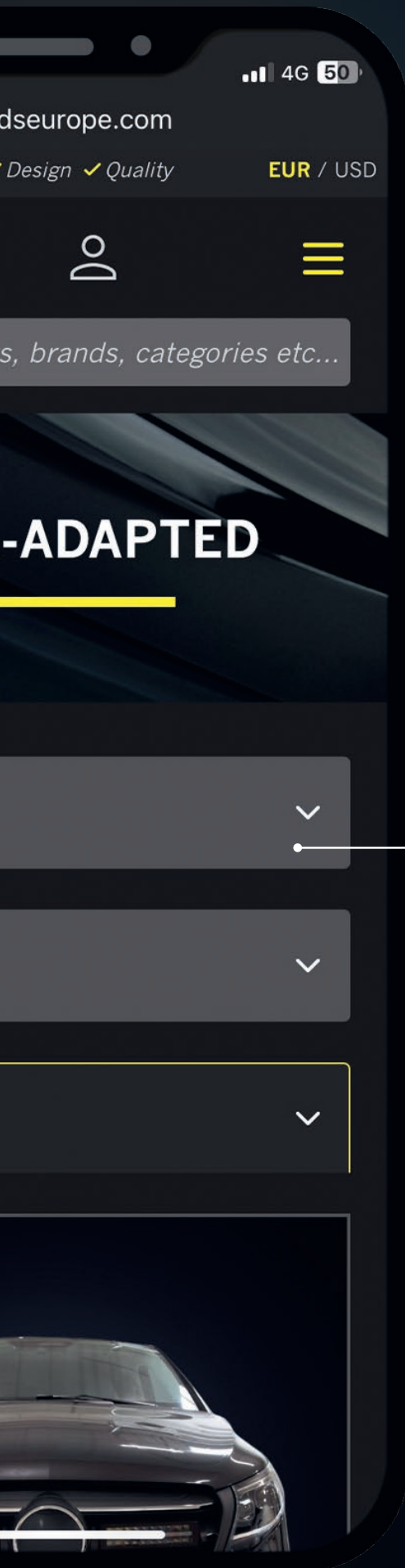
Fits to:  
**VITO**

Type  
**LED BAR KITS**

3



strands®  
-lighting division



4G 50

dseurope.com

Design ✓ Quality

EUR / USD



s, brands, categories etc...

-ADAPTED



### CHOOSE BRAND & MODEL

Choose your brand and your model on your vehicle



## WHY PROS CHOOSE IT

The result looks like it came from the factory—but performs like nothing else. These kits are easy to install and deliver powerful forward visibility, ideal for professional drivers working in rural, dark, or high-risk conditions.



Scan the QR-code for tutorial



strands®  
-lighting division

# LED BAR GRILLE KIT

---

Our grille-mounted LED kits are the ultimate solution for hidden, high-output lighting. These kits are vehicle-specific and designed to fit perfectly into the factory grille—offering an OEM-quality aesthetic with performance that far exceeds stock lighting systems.

- ✓ ADAPTED FOR 34 LCV MODELS
- ✓ CHOOSE FROM 3 DIFFERENT LED WARNING LIGHT BAR MODELS
- ✓ CRASH-TESTED, NO CORROSION AND POWERFUL WARNING LIGHT
- ✓ 204 UNIQUE COMBINATIONS
- ✓ ZERO DRILLING – MOUNTS DIRECTLY TO FACTORY FIX POINTS
- ✓ STREAMLINED DESIGN, FAST INSTALL FOR BUSY WORKSHOPS



**strands**<sup>®</sup>  
-lighting division



# NUUK 10'' GRILLE KIT

SUITABLE FORD TRANSIT 2019-

✓ OVER 509M RANGE AND UP TO 4X WIDER LIGHT BEAM  
Part No. MAKI18921021A



# FIREFLY 10'' GRILLE KIT

SUITABLE FORD TRANSIT 2019-

✓ OVER 513M RANGE AND UP TO 4X WIDER LIGHT BEAM  
Part No. MAKI18921621A



# SIBERIA XPA DR 12'' GRILLE KIT

SUITABLE FORD TRANSIT 2019-

✓ OVER 748M RANGE AND AND UP TO 4X WIDER LIGHT BEAM  
Part No. MAKI18921021A



# D-LINE 10'' GRILLE KIT

SUITABLE FORD TRANSIT 2019

✓ OVER 532M RANGE AND AND UP TO 4X WIDER LIGHT BEAM  
Part No. MAKI18924421A



strands®  
-lighting division



# FIREFLY 10'' GRILLE KIT

SUITABLE ISUZU D-MAX 2025 -

✓ OVER 513M RANGE AND UP TO 4X WIDER LIGHT BEAM  
Part No. MAKI22151621A



# SIBERIA XPA DR 12'' GRILLE KIT

SUITABLE ISUZU D-MAX 2025 -

✓ OVER 748M RANGE AND UP TO 4X WIDER LIGHT BEAM  
Part No. MAKI22153822A



# D-LINE 10'' GRILLE KIT

SUITABLE ISUZU D-MAX 2025 -

✓ OVER 532M RANGE AND UP TO 4X WIDER LIGHT BEAM  
Part No. MAKI22154421A





# FIREFLY 10'' GRILLE KIT

SUITABLE MERCEDES CITAN 2022 -

✓ OVER 513M RANGE AND UP TO 4X WIDER LIGHT BEAM  
Part No. MAKI28501621A



# SIBERIA XPA DR 12'' GRILLE KIT

SUITABLE MERCEDES CITAN 2022 -

✓ OVER 748M RANGE AND UP TO 4X WIDER LIGHT BEAM  
Part No. MAKI28503821A



# D-LINE 10'' GRILLE KIT

SUITABLE MERCEDES CITAN 2022 -

✓ OVER 532M RANGE AND UP TO 4X WIDER LIGHT BEAM  
Part No. MAKI28504421A





# FIREFLY 10'' GRILLE KIT

SUITABLE VW CRAFTER 2017 -

✓ OVER 513M RANGE AND UP TO 4X WIDER LIGHT BEAM  
Part No. MAKI48241621A



# SIBERIA XPA DR 12'' GRILLE KIT

SUITABLE VW CRAFTER 2017 -

✓ OVER 748M RANGE AND UP TO 4X WIDER LIGHT BEAM  
Part No. MAKI48243822A



# D-LINE 10'' GRILLE KIT

SUITABLE VW CRAFTER 2017 -

✓ OVER 532M RANGE AND A 4X WIDER LIGHT BEAM  
Part No. MAKI48244421A



**strands**<sup>®</sup>  
-lighting division



# FIREFLY 10'' GRILLE KIT

SUITABLE VW TRANSPORTER T7

✓ OVER 513M RANGE AND UP TO 4X WIDER LIGHT BEAM  
Part No. MAKI48741621A



# SIBERIA XPA DR 12'' GRILLE KIT

SUITABLE VW TRANSPORTER T7

✓ OVER 748M RANGE AND UP TO 4X WIDER LIGHT BEAM  
Part No. MAKI48743822A



# D-LINE 10'' GRILLE KIT

SUITABLE VW TRANSPORTER T7

✓ OVER 532M RANGE AND UP TO 4X WIDER LIGHT BEAM  
Part No. MAKI48744421A



# CONTACT US

## SALES

+46 (0)320-450 450 | [order@strands.se](mailto:order@strands.se)  
[www.strands.se](http://www.strands.se) | [www.strandseurope.com](http://www.strandseurope.com)

## TECHNICAL / PRODUCT SUPPORT

+46 (0)320-450 450 | [support@strands.se](mailto:support@strands.se)

## ORDER / CUSTOMER SERVICE

+46 (0)320-450 450 | [order@strands.se](mailto:order@strands.se)

## CLAIMS / WARRANTY

+46 (0)320-450 450 | [reklamation@strands.se](mailto:reklamation@strands.se)



**YOUTUBE.** *Subscribe at Strands Lighting Division for innovative lighting in action and get detailed information about our products.*

---



**LINKEDIN.** *Follow us at Strands Group AB for industry insights, news, and exciting updates.*

---



**WEBSITE.** *Visit [www.strandseurope.com](http://www.strandseurope.com) for detailed information about our products.*

---



**INSTAGRAM.** *Follow us at @strandslightingdivision for inspiration, exciting news, and participate in competitions.*

---



**FACEBOOK.** *Like Strands Lighting Division, engage in discussions and be the first to know about product news.*

---

**strands**<sup>®</sup>  
-lighting division