

## Engines & Batteries for “shaliach” drone

### Hover engines X 4



**Specs:**

KV(RPM/V): 90

LiPo Cells: 8~12s

Max Power: 1200W

Max Amps: 36A

No Load Current: .5A @ 10v

Internal Resistance: 0.186ohm

Dimensions(Dia.xL): 92 x 29mm

Motor Shaft: 3mm

Prop Shaft: 33mm hole to hole for bolt through style props

Weight: 401g (each)

Bolt Hole Spacing: 40mm

Suggested Propeller: 26x6.5

**Included:**

1 x 9226-90kv Multistar motors

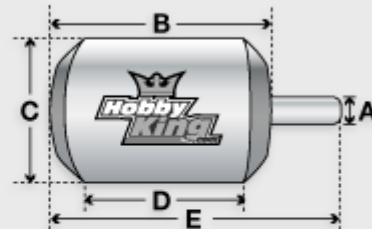
Propeller mounting hardware

Motor mounting hardware

### **Product Config Table**

Kv(rpm/v)	90
Weight (g)	401
Max Current(A)	36
Resistance(mh)	0
Max Voltage(V)	45
Power(W)	1200
Shaft A (mm)	-
Length B (mm)	28
Diameter C (mm)	92
Can Length (mm)	12
Total Length E (mm)	43

[Update/Add my own data](#)  
[Customer Data](#)



**COMPARE**

## Battery for hover engines X1

ZIPPY Flightmax 8000mAh 6S1P 30C



### Spec.

Capacity: **8000mAh**

Voltage: **6S1P / 6 Cell / 22.2v**

Discharge: **30C Constant / 40C Burst**

Weight: **1220g (including wire, plug & case)**

Dimensions: **165x69x52mm**

Balance Plug: **JST-XH**

Discharge plug: **5.5mm Bullet-connector (without housing)**

### Product Config Table

Capacity(mAh)	8000
Config (s)	6
Discharge (c)	30
Weight (g)	1220
Max Charge Rate (C)	5
Length-A(mm)	165
Height-B(mm)	69
Width-C(mm)	52

[Update/Add my own data](#)  
[Customer Data](#)



**COMPARE**

**Propellers for hover engines**

[http://www.hobbyking.com/hobbyking/store/uh\\_viewItem.asp?idProduct=89092](http://www.hobbyking.com/hobbyking/store/uh_viewItem.asp?idProduct=89092) .1

Dynam 30x5.5 Carbon Fiber Propellers for Multirotors (CW and CCW) (1pair)



**Specs:**

Length: **30 Inch**

Pitch: **5.5 Inch**

Weight: **115g (Each)**

Shaft Diameter: **4mm**

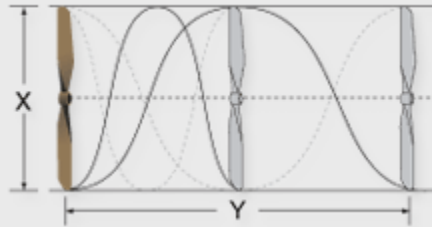
Cover Plate Hole Centers: **31mm (four holes)**

Hub Thickness: **7.6mm**

Rotation: **CW and CCW**

Length (Inch [X])	30
Pitch (Inch [Y])	5.5

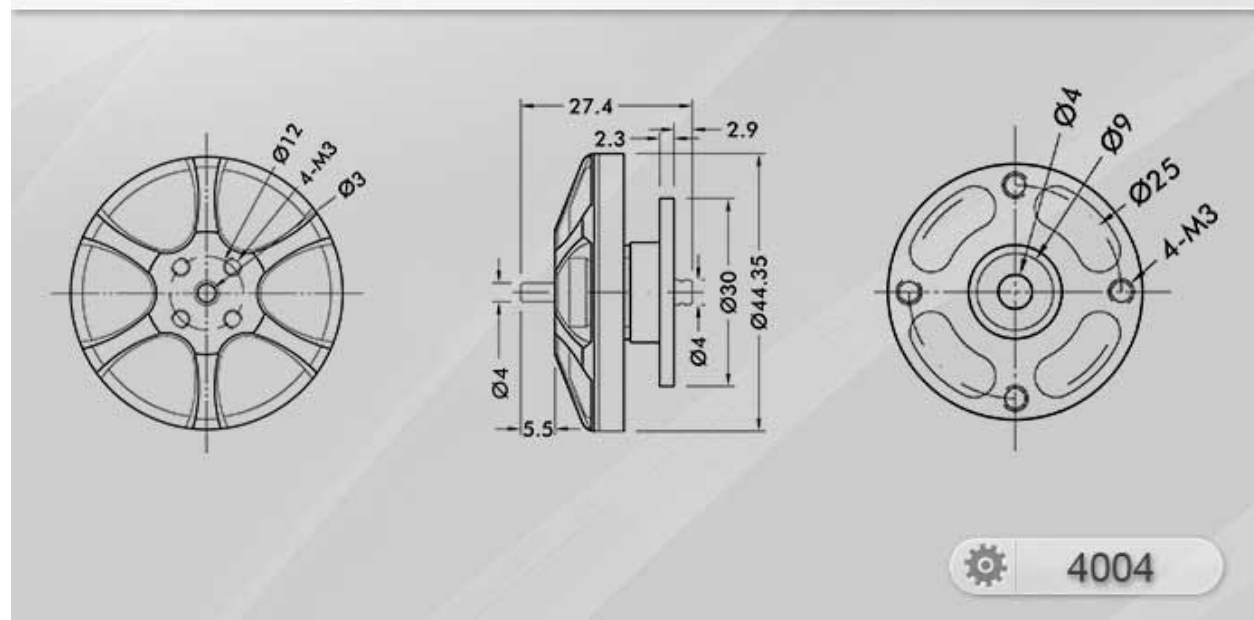
[Update/Add my own data](#)  
[Customer Data](#)



## Cruise engines X3



### Product Drawing



KV.....	400
Configu-ration.....	18N24P
Stator Diameter.....	40mm
Stator Length.....	4mm
Shaft Diameter.....	4mm
Motor Dimension(Dia.*Len).....	Φ44.35×19mm
Weight(g).....	52g
Idle current.....	0.2A
No.of Cells(Lipo).....	4-6S
Max Continuous current(A)180S.....	12A
Max Continuous Power(W)180S.....	300W
Max. efficiency current.....	(2-6A)>91%
internal resistance.....	359mΩ

Item No.	Volts (V)	Prop	Throttle	Amps (A)	Watts (W)	Thrust (G)	RPM	Efficiency (G/W)	Torque (N*m)	Operating temperature (°C)
Antigravity 4004 KV400	24	T-MOTOR 13*4.4CF	50%	1.8	43.20	448	3813	10.37	0.075	33
			55%	2.2	52.80	535	4146	10.13	0.085	
			60%	2.7	64.80	609	4458	9.40	0.101	
			65%	3.3	79.20	698	4736	8.81	0.116	
			75%	4.6	110.40	885	5308	8.02	0.144	
			85%	6.3	151.20	1067	5841	7.06	0.177	
			100%	8.2	196.80	1311	6391	6.66	0.211	
		T-MOTOR 14*4.8CF	50%	2.2	52.80	566	3623	10.72	0.097	54
			55%	2.7	64.80	670	3915	10.34	0.112	
			60%	3.3	79.20	766	4175	9.67	0.128	
			65%	4.1	98.40	872	4448	8.86	0.146	
			75%	5.8	139.20	1078	4941	7.74	0.175	
			85%	7.8	187.20	1270	5392	6.78	0.214	
			100%	10.4	249.60	1521	5766	6.09	0.239	

Notes: The test condition of temperature is motor surface temperature in 100% throttle while the motor run 10 min.

**Propellers for cruise engines X 3**



14'' X 5''

## Batteries for cruise engine X 80

### Features & Benefits

- High energy density
- Long stable power and long run time
- Ideal for notebook PCs, boosters, portable devices, etc.

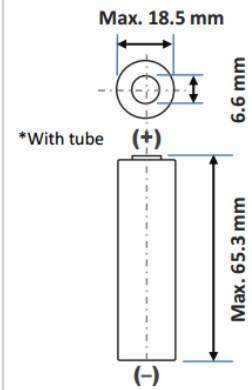
\* At temperatures below 10°C, charge at a 0.25C rate.

### Specifications

Rated capacity <sup>(1)</sup>	Min. 3200mAh
Capacity <sup>(2)</sup>	Min. 3250mAh Typ. 3350mAh
Nominal voltage	3.6V
Charging	CC-CV, Std. 1625mA, 4.20V, 4.0 hrs
Weight (max.)	48.5 g
Temperature	Charge*: 0 to +45°C Discharge: -20 to +60°C Storage: -20 to +50°C
Energy density <sup>(3)</sup>	Volumetric: 676 Wh/l Gravimetric: 243 Wh/kg

<sup>(1)</sup> At 20°C <sup>(2)</sup> At 25°C <sup>(3)</sup> Energy density based on bare cell dimensions

### Dimensions



**For Reference Only**