

## Technical data sheet

Power supply · LEPOS Performance, 1-phase, regulated, 120 W

---

**Primary switchmode power supply, Single-phase**  
**Input: wide-range input AC 90–264 V, DC 127–370 V**  
**Output: DC 24 V / 5 A, adjustable**



---

### Identification

---

Type LEPOS-HP-120-24  
Part No. [722715](#)

---

### Product version

---

Datasheet version 03

---

### Input

---

Number of phases 1  
Rated voltage  $U_N$  AC 115/230 V  
Operation voltage range AC 90–264 V / DC 127-370 V  
Frequency range 47 Hz – 63 Hz  
Rated current  $I_N$  1.4 A @ AC 115 V / 700 mA @ AC 230 V  
Inrush current 35 A @ AC 115 V / 70 A @ AC 230 V  
Internal fuse T3,15 A / AC 250 V  
External protection Mini-circuit breaker: C 16 A  
Power factor correction P.F.C. >0.96 @ AC 115 V / >0.93 @ AC 230 V

---

### Output

---

Output voltage/current DC 24 V/5 A  
Rated voltage  $U_N$  DC 24 V  
Rated current  $I_N$  5 A  
Max. output current 7.5 A, 3 s  
Power Dissipation 10.5 W @ AC 230 V  
Setting range  $U_{out\ min.}/U_{out\ max.}$  24-28 V  
Accuracy  $\pm 2\%$

---

#### United Kingdom: LÜTZE Ltd.

Unit 3, Sandy Hill Park  
Sandy Way, Amington • GB-Tamworth, Staffs B77 4DU  
Tel. +44 (0)1827 31333-0  
[www.lutze.com](http://www.lutze.com) • [sales.gb@lutze.co.uk](mailto:sales.gb@lutze.co.uk)

#### Germany: Friedrich Lütze GmbH

Postfach 12 24 (PLZ 71366) • Bruckwiesenstraße 17-19 • D-71384 Weinstadt  
Tel. +49 (0)7151 6053-0  
[www.luetze.de](http://www.luetze.de) • [info@luetze.de](mailto:info@luetze.de)

28.11.2024 • Subject to technical modification

Part No. [722715](#) • Datasheet version: 03

page 1 of 5



SYSTEMATIC TECHNOLOGY

## Technical data sheet

### Power supply · LEPOS Performance, 1-phase, regulated, 120 W

---

Load regulation	±1 %
Line regulation	±0.5 %
Rise time	1500 ms @ 230 V / 3000 ms @ 115 V
Temperature coefficient	±0.03 % / °C
Ripple and noise	100 mV
Hold up time	20 ms @ 115 V / 20 ms @ 230 V
Parallel / redundant mode	Yes/via external decoupling diode e.g. 722999
Efficiency	91 %
Overtemperature protection	95 °C +/- 5 °C, switch-off with auto reset
Over voltage protection	29-33 V, switch-off in case of overvoltage, switch-on again after input voltage reset
Rated over load protection	150 % for 3 s, then shutdown with auto-reset
Short circuit	Current limit

---

#### Status indication

---

Status indication DC ON LED green    DC 22-28 V

---

#### Monitoring

---

DC ON Control (Rdy)	N/O contact
Switching voltage	AC/DC 30 V
Switching current	AC/DC 1 A
Switching capacity	30 VA / 30 W
Isolation voltage	AC 500 V

---

#### General

---

Insulation voltage input / output	AC 3.0 kV <sub>eff</sub>
Insulation voltage input / ground	AC 2.0 kV <sub>eff</sub>
Insulation voltage output / ground	AC 500 V / DC 500 V
Insulation resistance at DC 500 V	100 MΩ
Derating	>60 °C: -3 %/°C
Cooling	Air convection, 15 mm distance right/left, 40 mm top, 20 mm bottom
Housing material	Metal
Mounting	DIN rail mountable TS35 (EN 60715)
Max. altitude operation	2000 m
Installation position	Vertical
MTBF	>292100 h: MIL HDBK 217F
Degree of protection	IP20
Protection class	I
Weight/unit	0.67 kg
Connection type	Screw terminal 0.20 mm <sup>2</sup> – 2.5 mm <sup>2</sup> AWG 24 – AWG 12
Dimensions (w × h × d)	40.0 mm × 125.0 mm × 113.0 mm
PU (units)	1

---

# Technical data sheet

Power supply · LEPOS Performance, 1-phase, regulated, 120 W

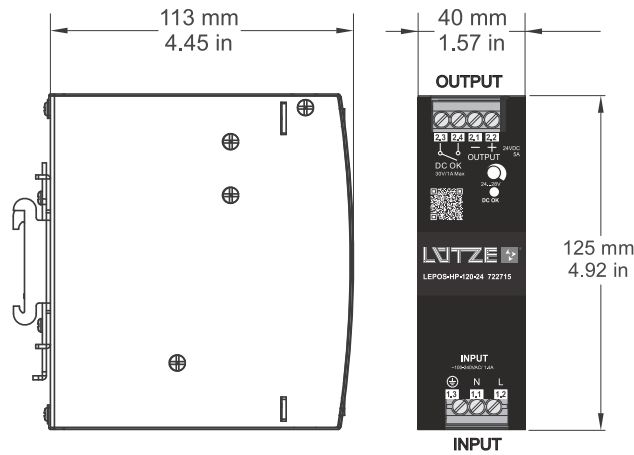
## General ambient conditions

Operation temperature range	-25 °C ... +70 °C (Derating)
Storage temperature range	-40 °C ... +85 °C
Over voltage category	III
Degree of pollution	2
Relative air humidity	20 – 95 % RH, not condensing

## Certifications/Standards

Conformity	CE
Certifications	cULus (E249179)
Standards	EN 55032:2015+A11:2020 EN 55035:2017+A11:2020 EN 61010-1:2010+A1:2019+AC:2019 UL 61010-1:2019 UL 61010-2-201:2018

## Dimensions



### Output / Ausgang / Sortie

Connection Anschluss Connexion	Description Beschreibung Description
2.3, 2.4	Relay Contact
2.1	DC OUTPUT -
2.2	DC OUTPUT+

### Input / Eingang / Entrée

Connection Anschluss Connexion	Description Beschreibung Description
1.3	⊕
1.1	AC/N
1.2	AC/L

# Technical data sheet

Power supply · LEPOS Performance, 1-phase, regulated, 120 W

## Use

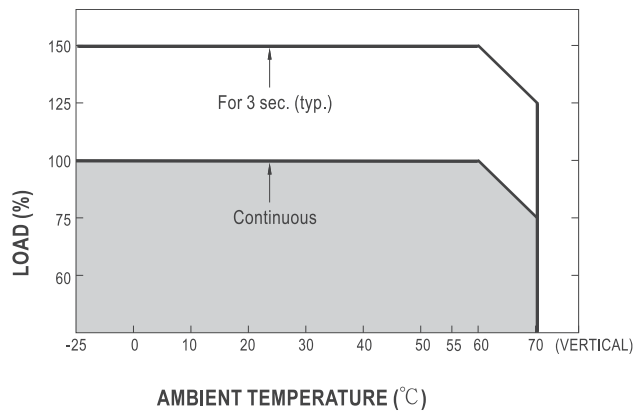
### DC OK Relay Contact

Contact Close	PSU turns on / DC OK.
Contact Open	PSU turns off / DC Fail.
Contact Ratings (max.)	30V/1A resistive load.

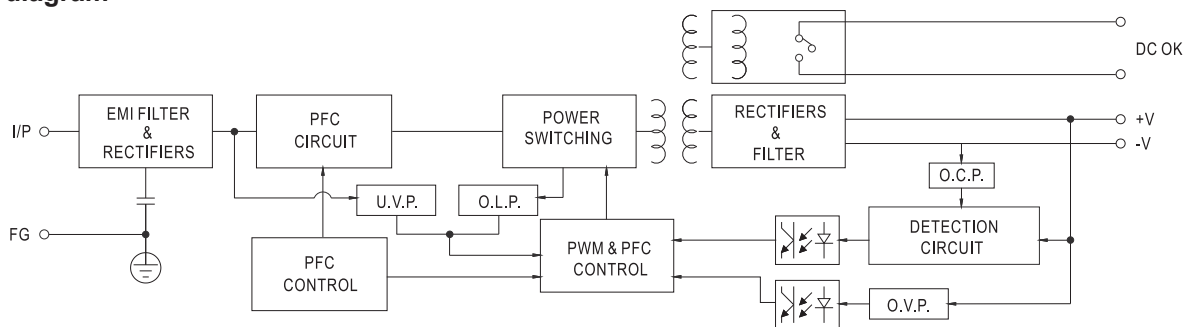
### Peak Loading



## Derating



## Circuit diagram



## Technical data sheet

Power supply · LEPOS Performance, 1-phase, regulated, 120 W

---

### Characteristic

