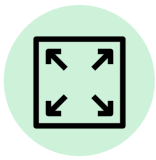




* batteries not included



**SCALABLE
UP TO 81 KWH**



**SPACE
OPTIMIZATION**



**SLEEK &
CLEAN DESIGN**



**EASY
INSTALLATION**



**OUTDOOR &
INDOOR INSTALL**

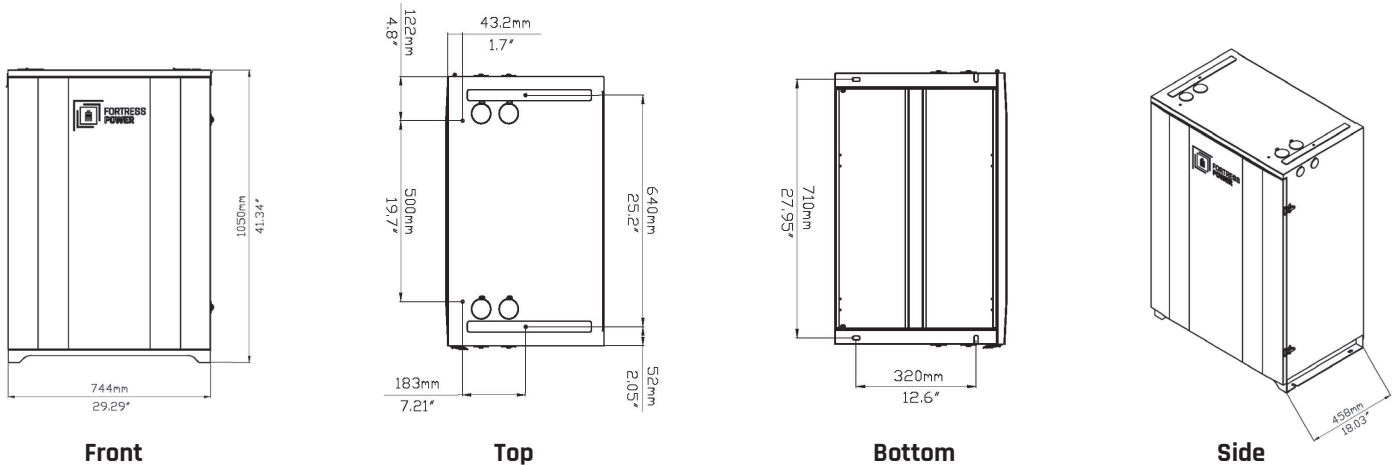
**SECURE YOUR ENERGY
KEEP YOUR FAMILY
& BUSINESS SAFE**

Expand your energy storage with the new Fortress Power DuraRack! This iron enclosure stores up to 4 eFlex 5.4kWh batteries. The DuraRack paired with multiple eFlex batteries can build a 48V UPS server rack or provide storage capacity to home solar arrays. The DuraRack includes integrated busbars, wheels, and a DIN rail heater mount. This enclosure can be free-standing or pad mounted and is safe for indoor and outdoor installations.



- **IP65 WATER AND DUST RESISTANT FOR BOTH INDOOR AND OUTDOOR INSTALL**
- **INCLUDES INTERGRATED BUSBARS AND BATTERY CABLES FOR EASY STACKING**
- **EASY TO ADD DIN RAIL THERMOSTAT FOR COLD CLIMATES**
- **PASSIVE COOLING VENT FOR WARM CLIMATES**
- **BUILT ON WHEELS FOR EASY MOVEMENT AND POSITIONING**
- **EXPANDABLE UP TO 4 UNITS (15 EFLEX BATTERIES; TOTAL 81 KWH)**

DIMENSIONS



ABOUT FORTRESS POWER

Fortress Power proudly services homes, businesses, utilities, telecom and transportation companies worldwide. Our Pennsylvania-based team's passion for clean energy storage has earned us a place among the world's top energy storage battery manufacturers.

Our logistic centers located across the country offer easy distribution to all of our major markets. Fortress Power's high-performance solar lithium battery storage products are designed, engineered and inventoried, with live technical support in the United States.

Fortress Power has partnered with industry leading lending institutions to help make your solar investment as easy as possible.

Please visit our website for purchasing and financing options.

www.fortresspower.com

INTERESTED IN BECOMING A CERTIFIED INSTALLER?

Join us to bring the latest energy storage products to millions of homes and businesses across the world.



SCAN ME

Enclosure Material	Carbon Steel
Enclosure Protection	IP65 water and dust proven (outdoor)
Enclosure Color	White
Dimension (W x H x D)	29.29 x 41.34 x 18.03 in (744 x 1050 x 458 mm)
Weight	69.6kg/153.2lbs
Maximum Battery Unit	4 eFlex 5.4
Storage Capacity Range	5.4kWh - 21.6kWh per unit
Max. Storage Capacity	81 kWh (4 units in parallel)
Knockout Size	1 inch & 2 inch
Positive and Negative Battery Busbars	2 x 4 points; M8 (5/16) Terminal Rings
Positive and Negative Busbars to Inverter	2 points; M10 (3/8) Terminal Rings
Battery Cables	4 sets of "+" and "-" #4 battery cables
Terminal Torque	7.0 - 7.7 Nm (5.1 - 5.7 ft-lb)
Warranty	3 years
Certifications	UL9540, UL9540A, UL1973, CEC, SGIP