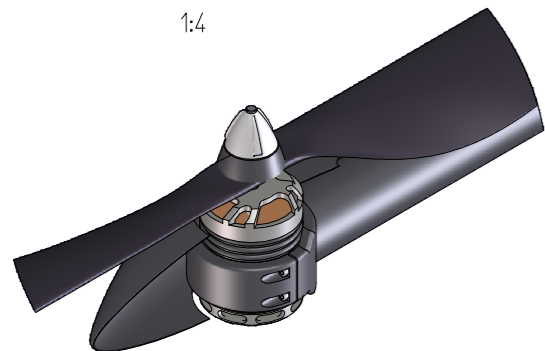
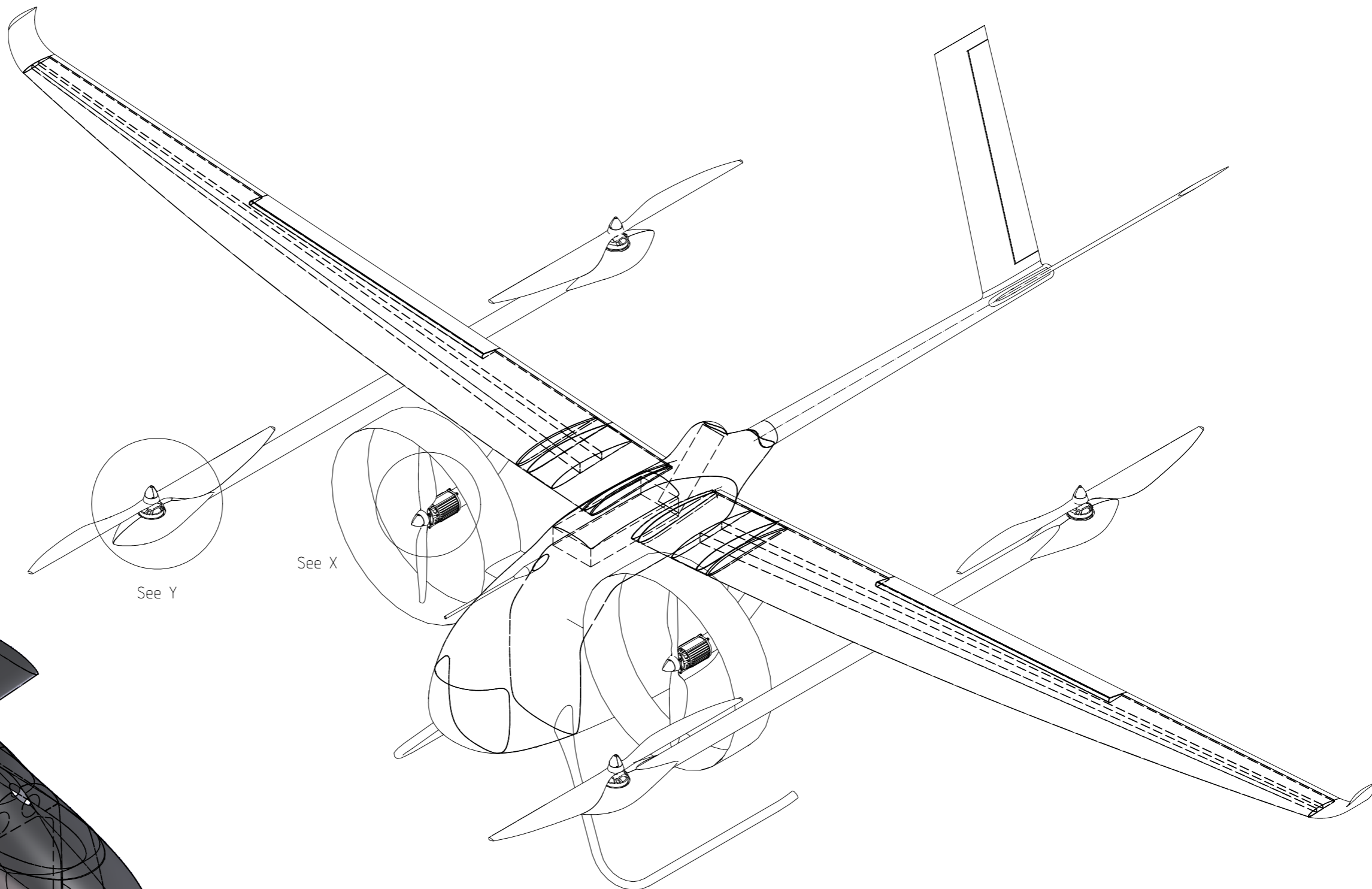


X
1:4



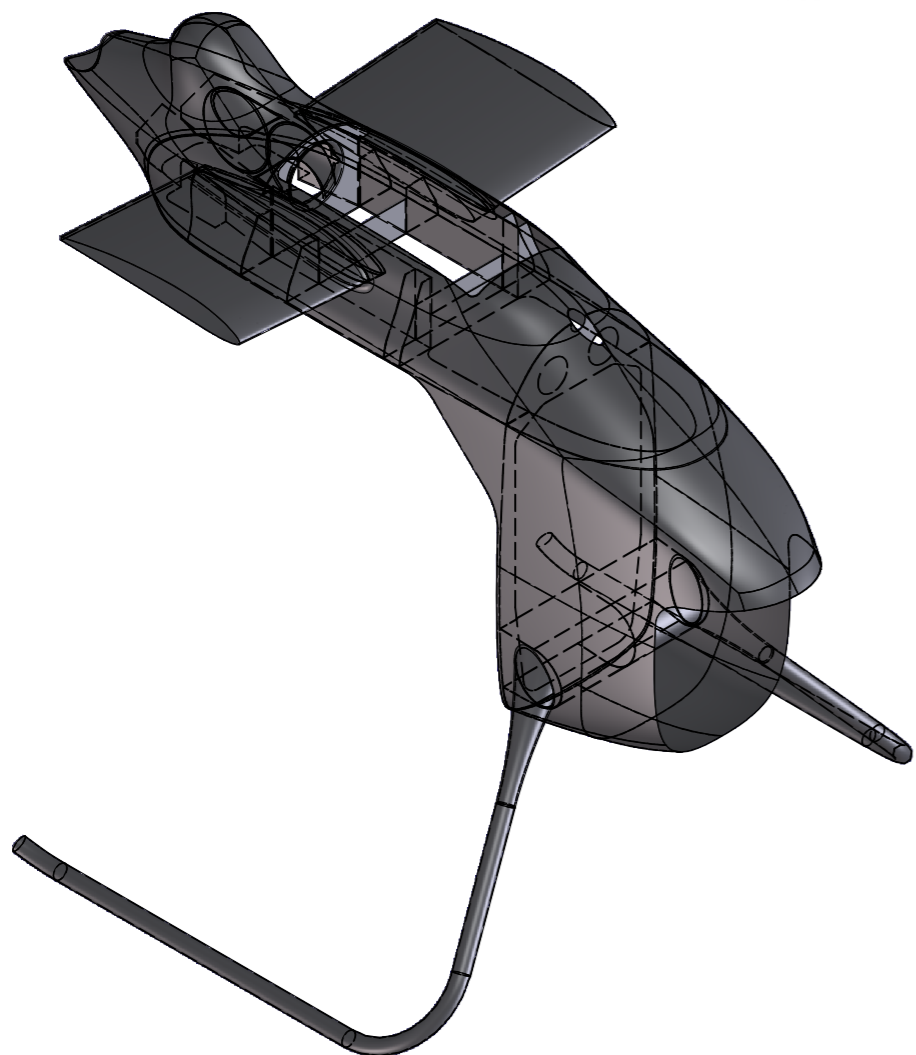
Y
1:4




See Y

See X

14
1:10



	Flaviano Crespi		TOLERANCE	SURFACE	ARCHIVE	SCALE 1:20
	fc_progsoft@libero.it				MATERIAL	
			DATE	NAME	DESCRIPTION "Allodola" Cargo Drone Isometric view	
			DRAWN 05-21-16	F.C.		
			APPR.			
			RLS.			
					DRAWING-NUMBER	SHEET
1	Resubmitted	05-31-16	F.C.		016-A10-24323	2
0	Issued for submission	05-21-16	F.C.			OF 2
INDEX	DESCRIPTION	DATE	NAME	ORIGINAL	I.EXCH.F.	I.EXCH.TH.