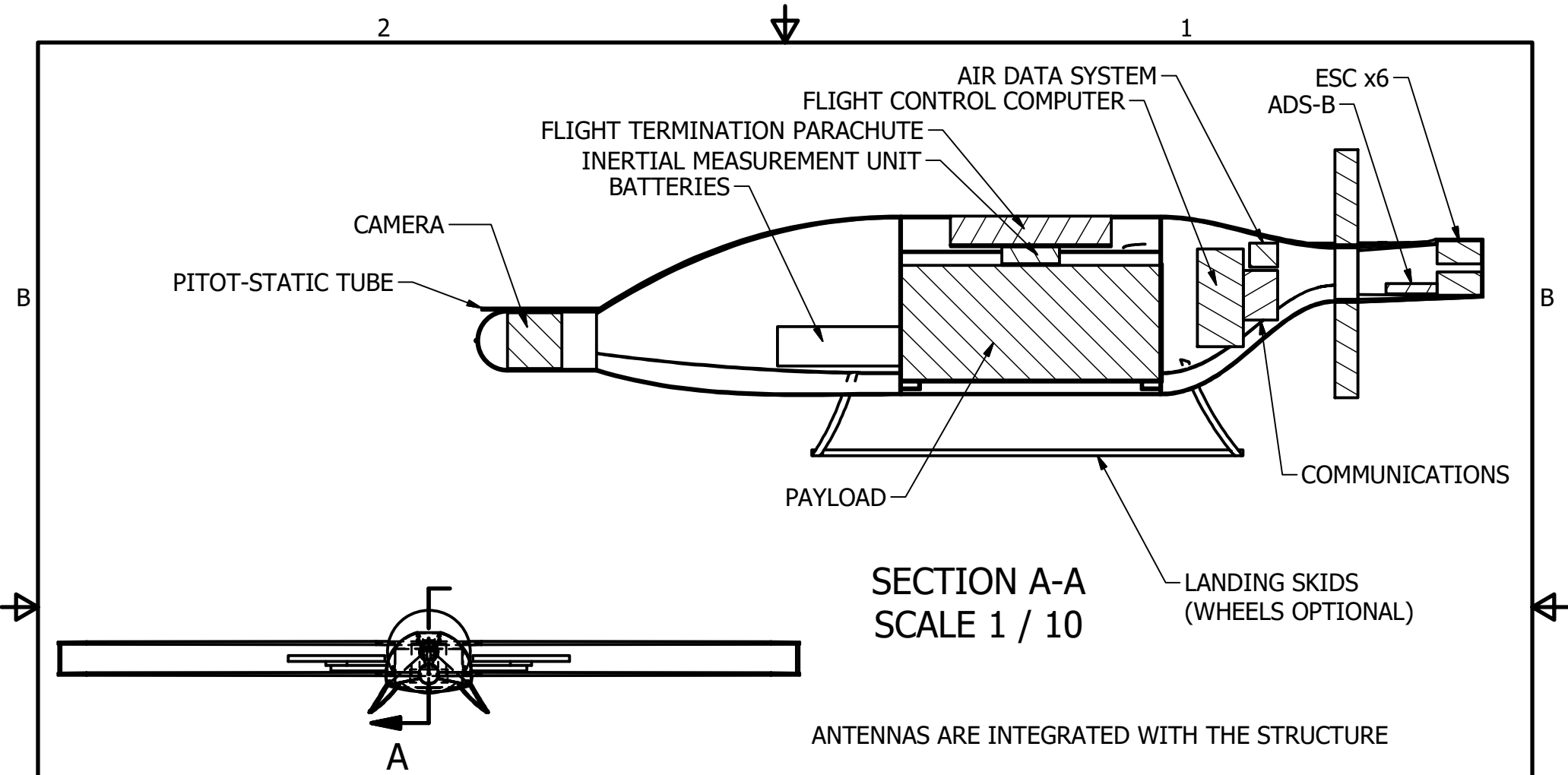


ALL DIMENSIONS ARE IN MM

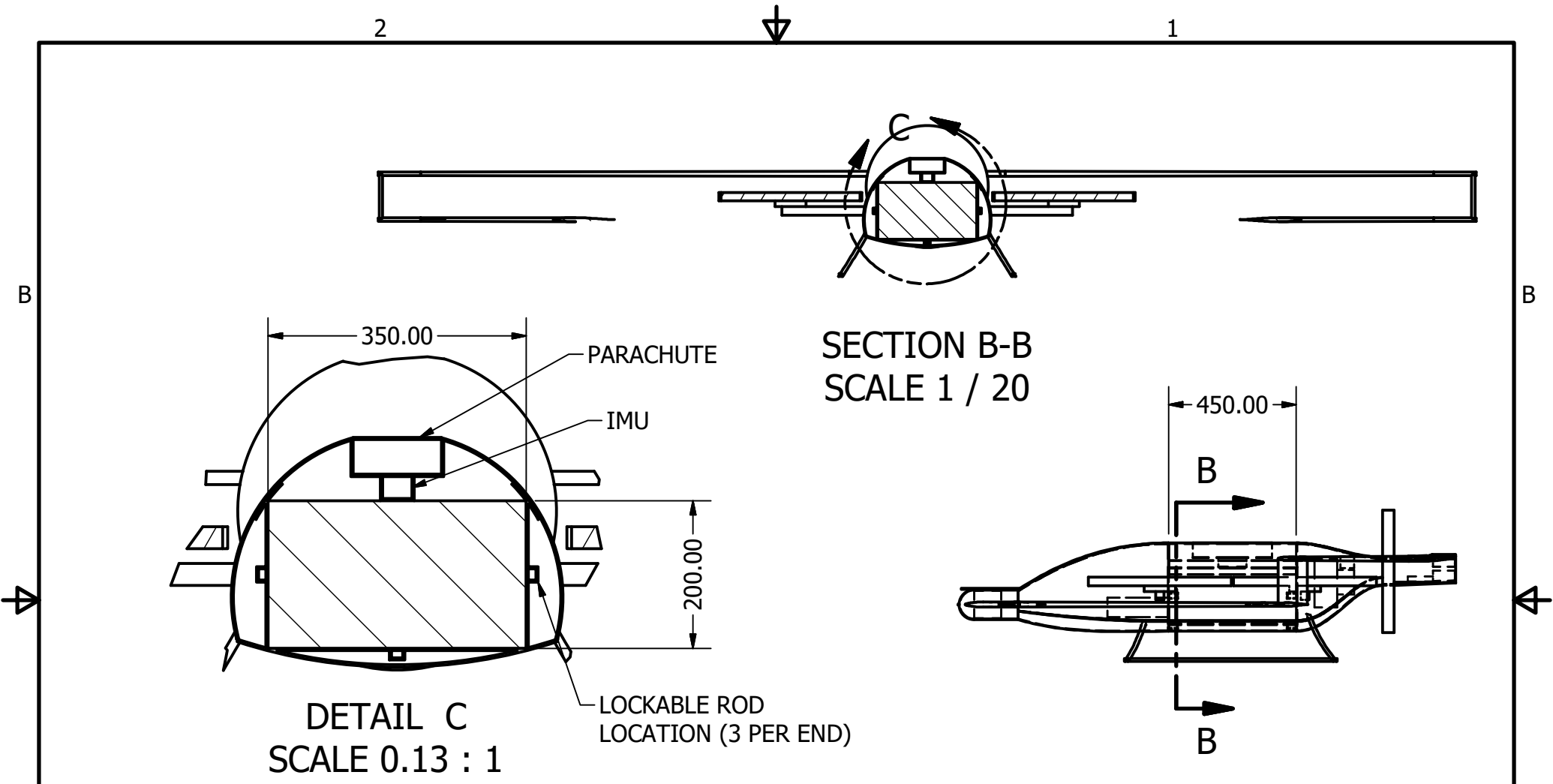
DRAWN	Collin Strassburger	5/18/2016
CHECKED		
QA		
MFG		
APPROVED		

No Corporate Affiliations			
TITLE			
Limited Aspirations			
SIZE		DWG NO	REV
A		Design Details	
SCALE	1 / 30	SHEET 1 OF 8	



DRAWN Collin Strassburger	5/18/2016
CHECKED	
QA	
MFG	
APPROVED	

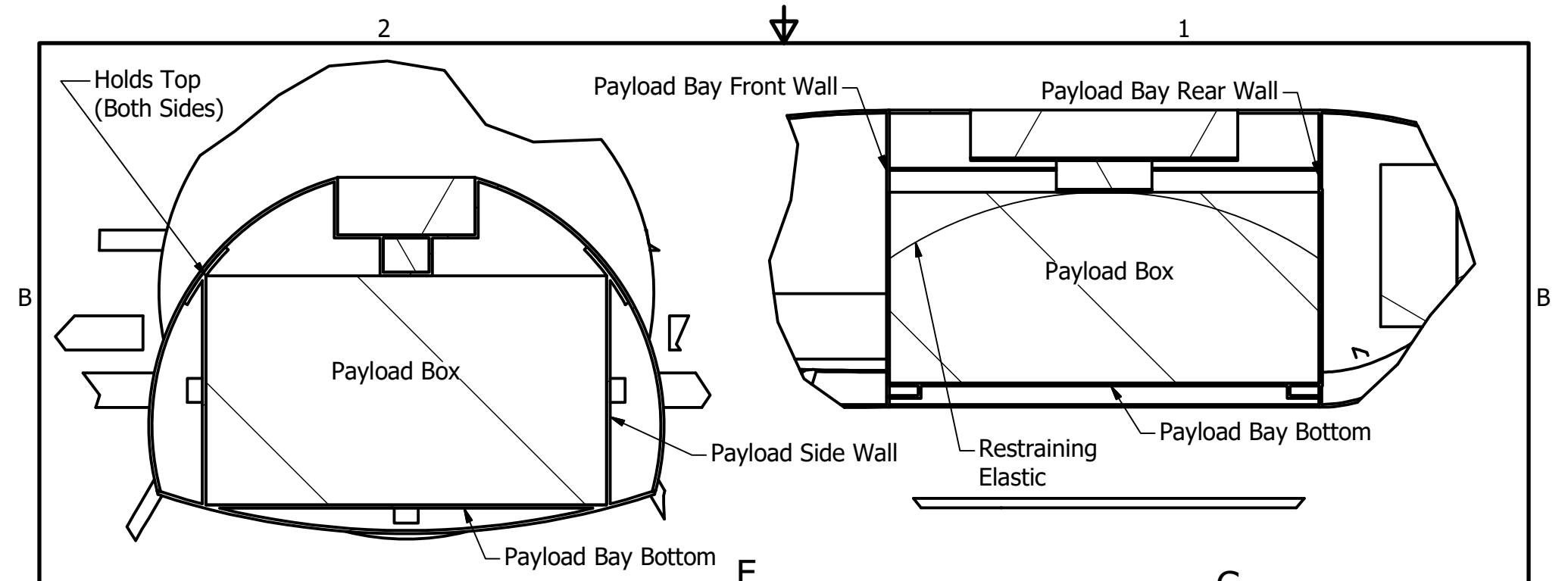
No Corporate Affiliations			
TITLE			
Limited Aspirations			
SIZE A		DWG NO Design Details	REV
SCALE 1 / 30			SHEET 2 OF 8



ALL DIMENSIONS ARE IN MM

DRAWN	Collin Strassburger	5/18/2016
CHECKED		
QA		
MFG		
APPROVED		

No Corporate Affiliations		
TITLE		
Limited Aspirations		
SIZE	DWG NO	REV
A	Design Details	
SCALE	1 / 20	SHEET 3 OF 8



SECTION G-G
SCALE 1 / 50

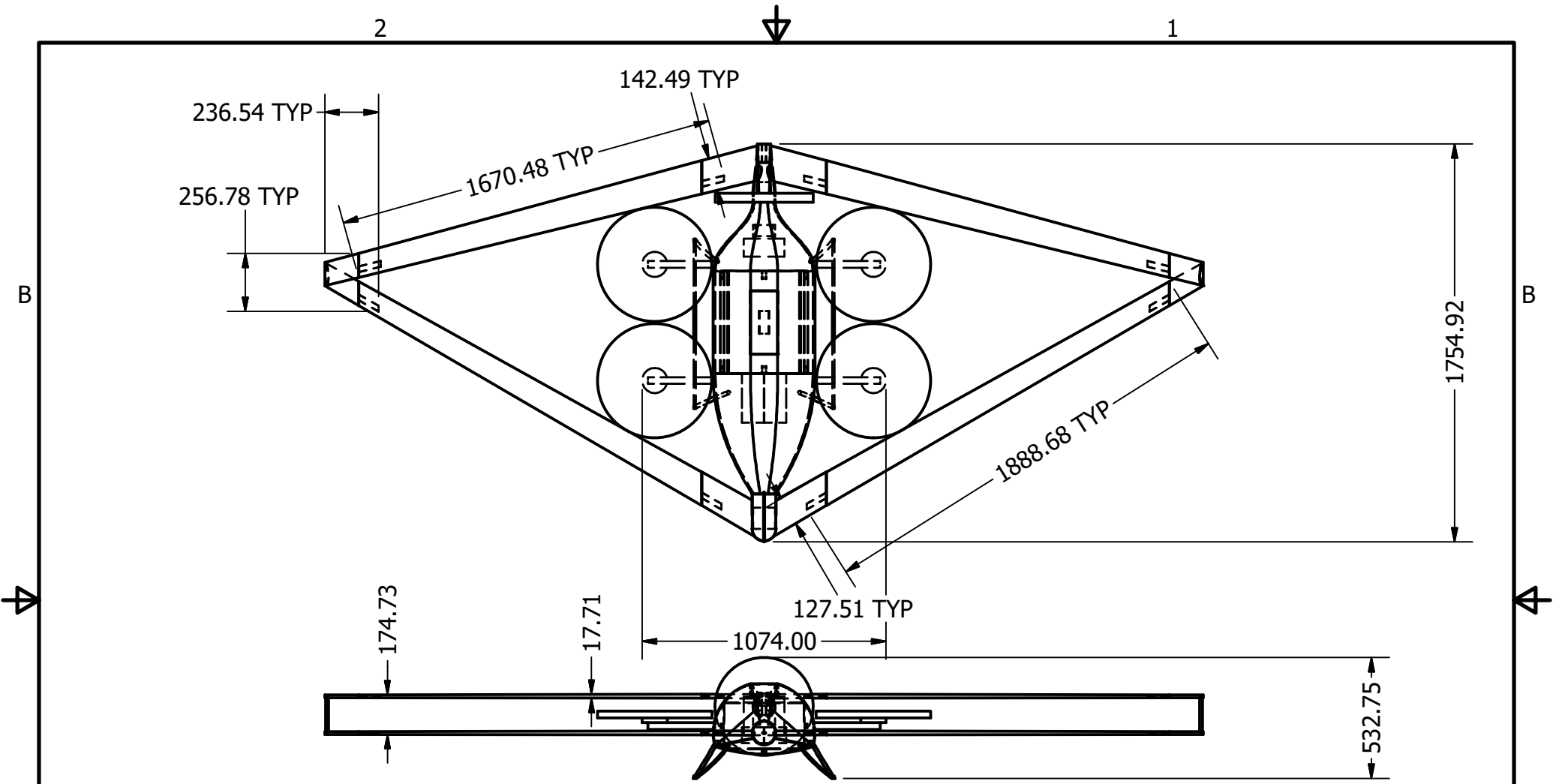
DETAIL H
SCALE 1 / 5

SECTION E-E G
SCALE 1 / 50

DETAIL F
SCALE 1 / 6

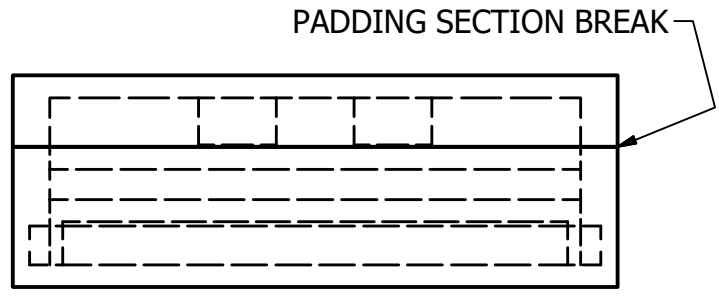
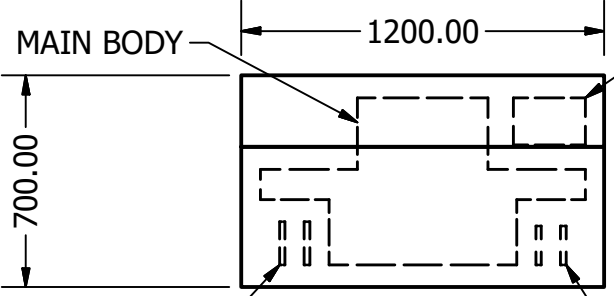
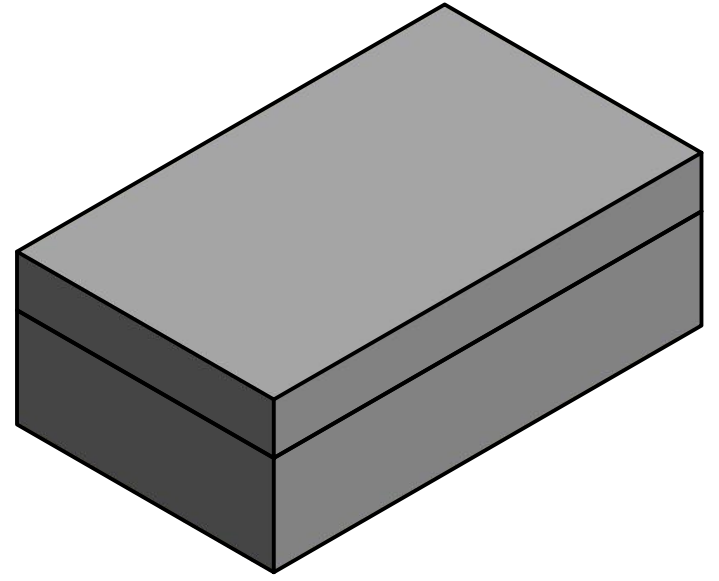
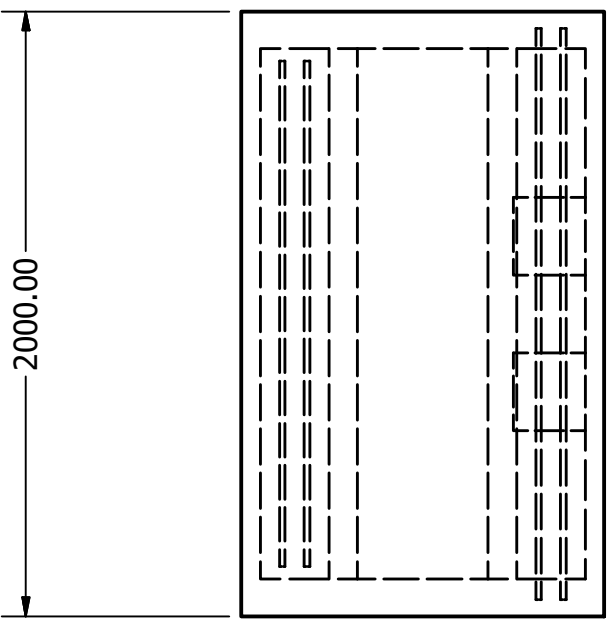
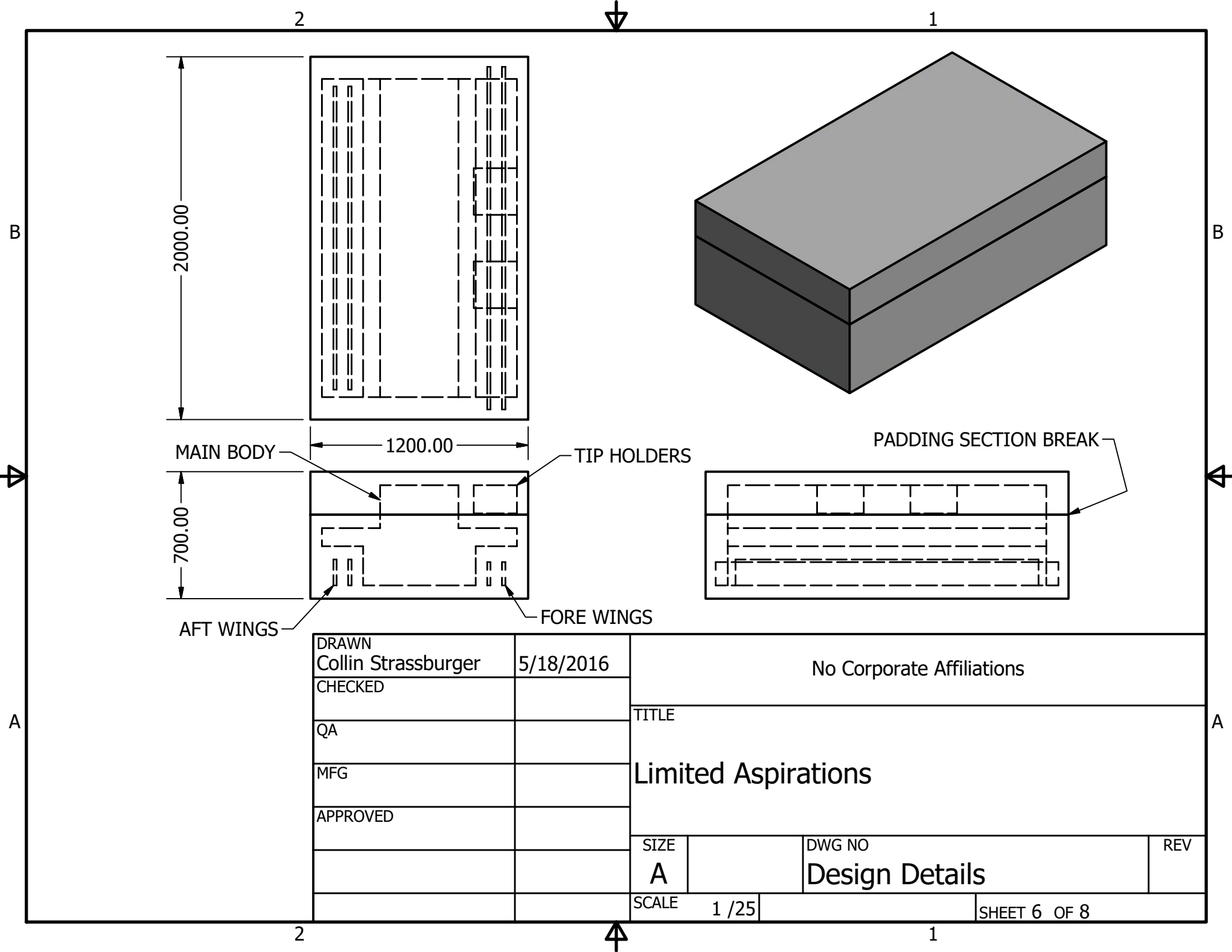
DRAWN Collin Strassburger	5/18/2016
CHECKED	
QA	
MFG	
APPROVED	

No Corporate Affiliations		
TITLE		
Limited Aspirations		
SIZE A	DWG NO	REV
SCALE 1 / 50	Design Details	SHEET 4 OF 8



DRAWN Collin Strassburger	5/18/2016
CHECKED	
QA	
MFG	
APPROVED	

No Corporate Affiliations			
TITLE			
Limited Aspirations			
SIZE A	DWG NO	REV	
SCALE 1 / 25	SHEET 5 OF 8		



MAIN BODY

1200.00

TIP HOLDERS

PADDING SECTION BREAK

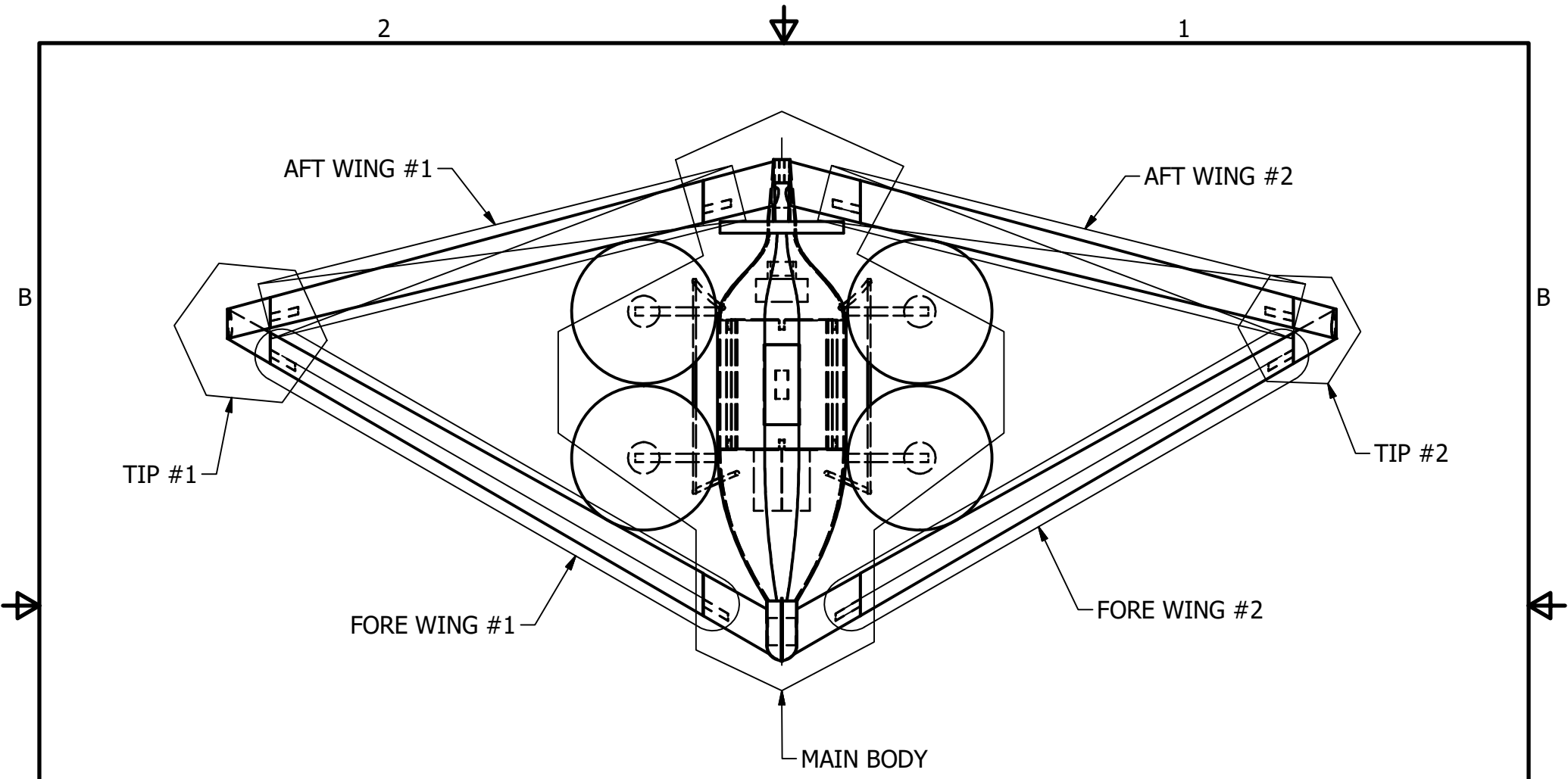
700.00

AFT WINGS

FORE WINGS

DRAWN	Collin Strassburger	5/18/2016
CHECKED		
QA		
MFG		
APPROVED		

No Corporate Affiliations		
TITLE		
Limited Aspirations		
SIZE	DWG NO	REV
A	Design Details	
SCALE	1 / 25	SHEET 6 OF 8

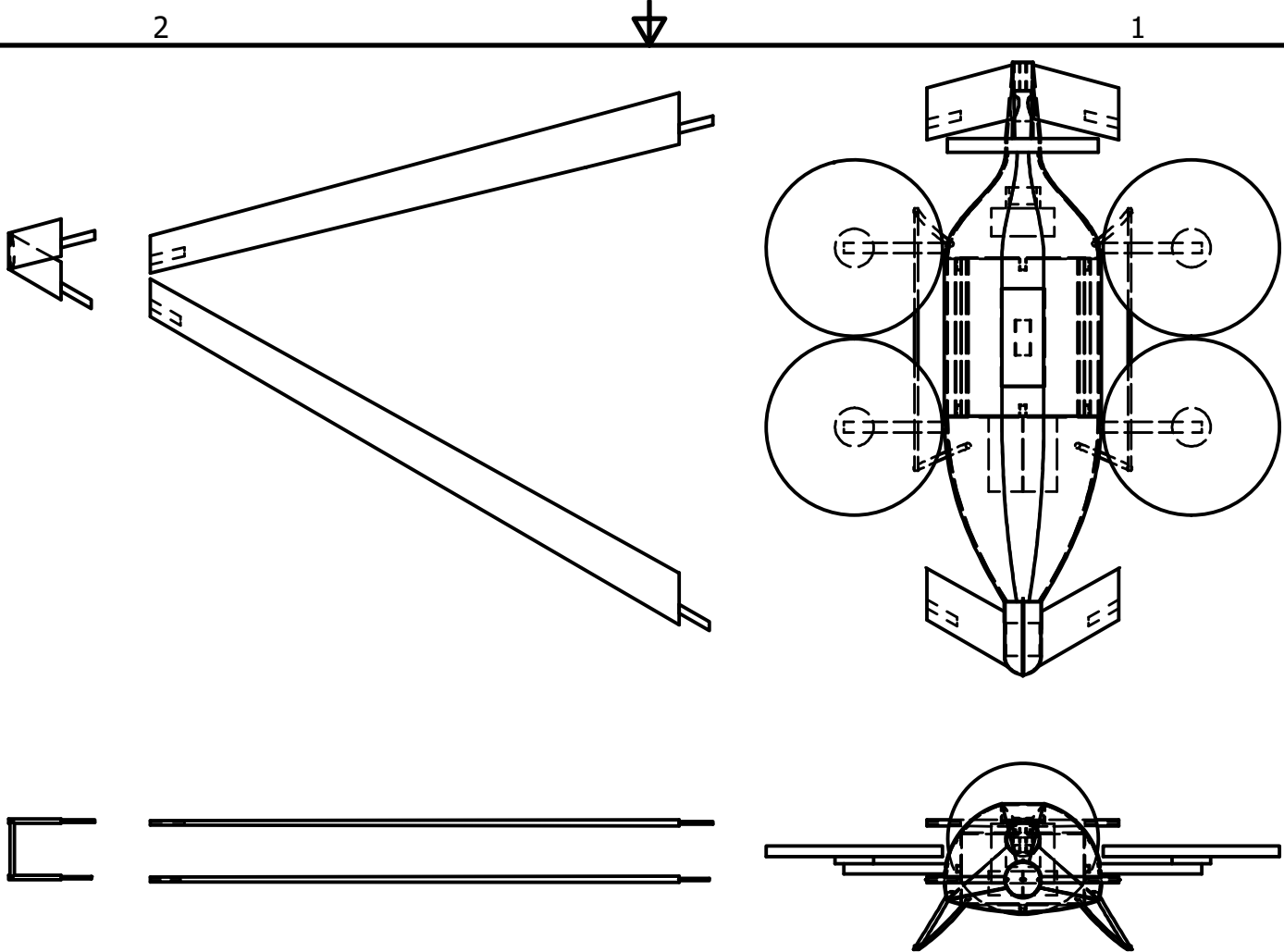


DRAWN Collin Strassburger		5/18/2016		No Corporate Affiliations			
CHECKED				TITLE			
QA				Limited Aspirations			
MFG							
APPROVED							
				SIZE	DWG NO		REV
				A	Design Details		
				SCALE	1 / 20		SHEET 7 OF 8

2



1



DRAWN Collin Strassburger	5/18/2016
CHECKED	
QA	
MFG	
APPROVED	

No Corporate Affiliations			
TITLE			
Limited Aspirations			
SIZE A	DWG NO	REV	
SCALE 1 / 20	Design Details		
		SHEET 8 OF 8	