



MATE Series Overview

System Display and Controller

Contents

Basic Navigation.....	2
Menu Maps -	
MATE System Display and Controller Basic Setup.....	2
MATE System Display and Controller Advanced Setup.....	3
MATE System Display and Controller AGS Menu.....	4-5
Inverter Setup.....	6-7
Charge Controller Setup.....	8
FLEXnet DC Setup.....	9-10



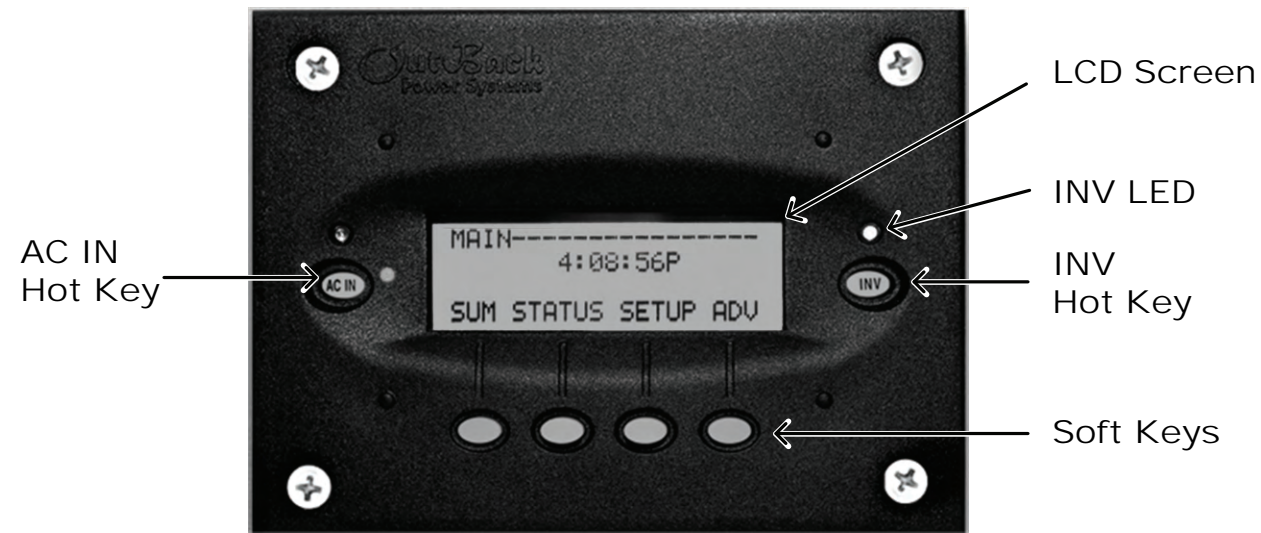
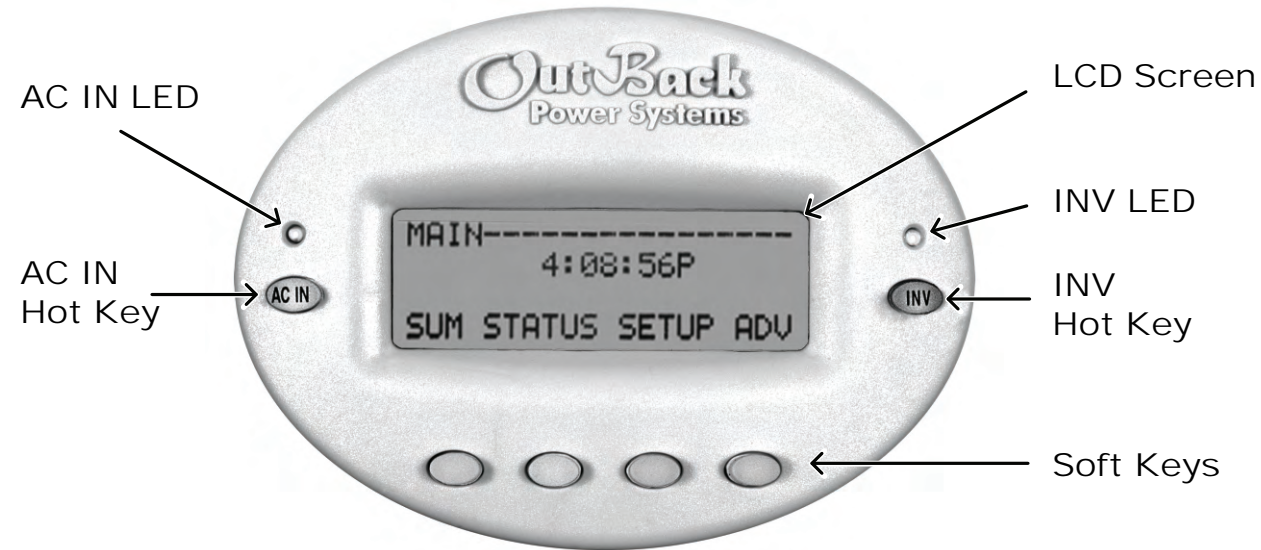
WARNING: SHOCK HAZARD

Consult the *MATE Owner's Manual* for detailed information on **safety** and **installation** procedures.

How to Read and Navigate the Menu Maps

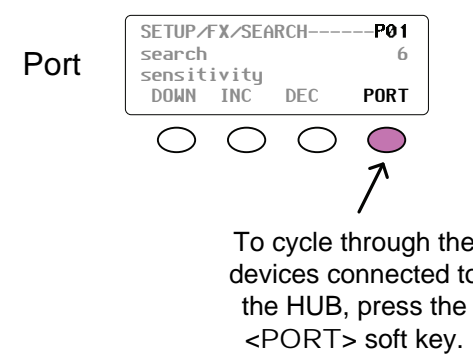
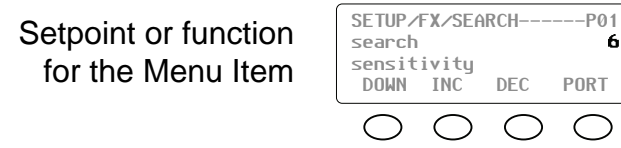
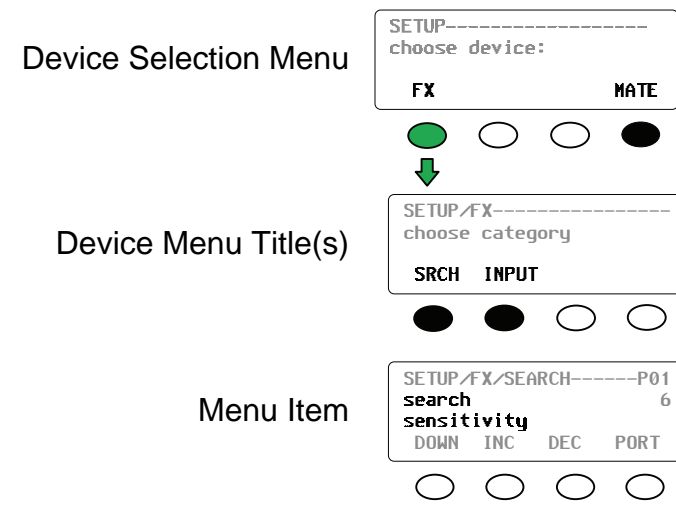
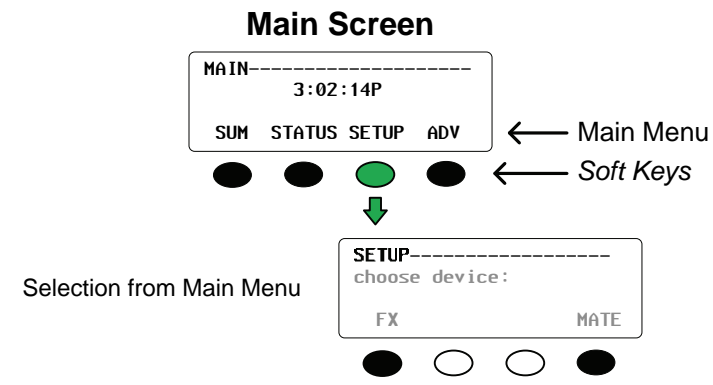
The following pages are intended as a quick reference guide for the menu map of the MATE Series System Display and Controller. This document is for use with the products MATE and MATE2. It cannot be used with the MATE3.

See the MATE Series Owner's Manual for detailed information about the menu structure, MATE features, and hot/soft key functions. See the inverter, charge controller, and DC monitor manuals for detailed information about specific features and functions that are controlled by the menus.



To return to the Main screen at any time:

Press and hold the 2 left soft keys at the same time. Release when the Main screen appears.



Soft Key Color Code:

- Available menus
- Select this option to proceed
- Adjusts the set points value
- Selects a function (e.g., ON, OFF, AUTO)
- Switches between devices on the ports of the Communications HUB
- Navigation colors

Soft key functions will vary depending on the selected menu and are defined by the word above the key in the LCD.

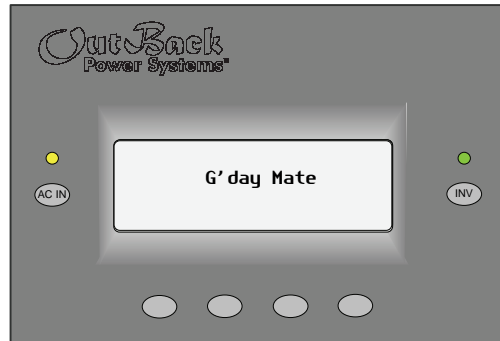
Navigation:

↓ ↑ → ← Indicates a 1-screen movement within a Menu. These are color coded according to their function or purpose.

If accompanied by a dashed line, pressing that soft key will return the user to the location identified by the dashed line. This will vary depending on the devices in the system.

Menu Map – MATE System Display and Controller Setup

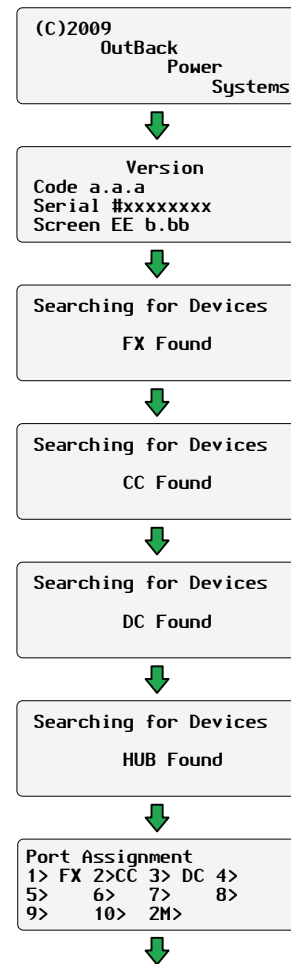
Startup Screens



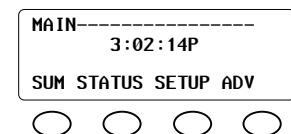
Setting up the MATE or MATE2 includes:

1. Setting the Clock (date and time)
2. Setting the screen contrast.
3. Setting the Glow time.
4. Setting how the Summary screens are displayed.
5. Setting communication options.
6. Setting Beep tone functions.

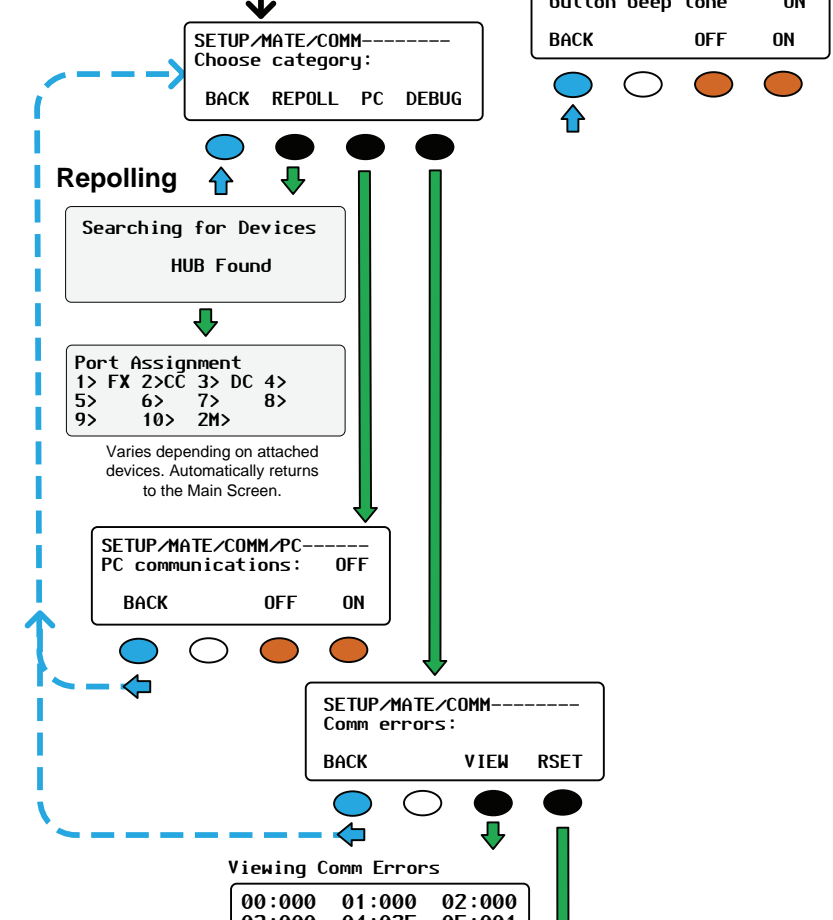
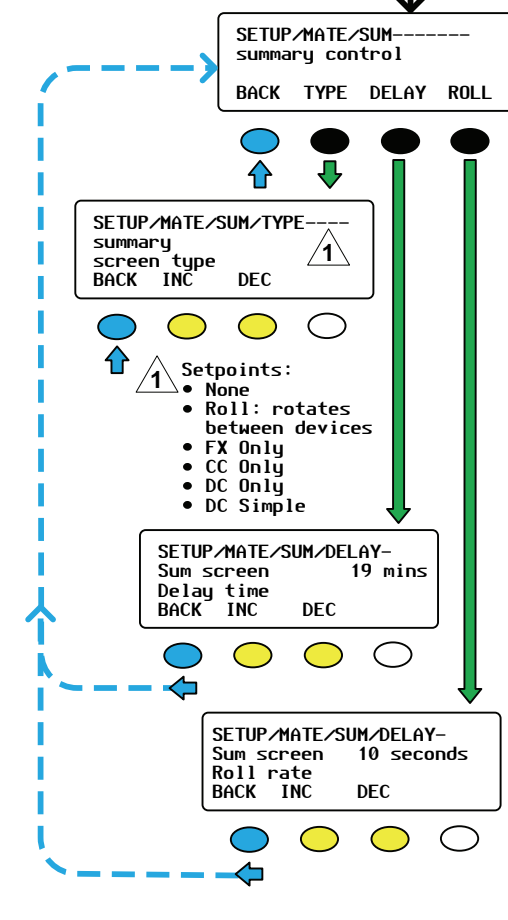
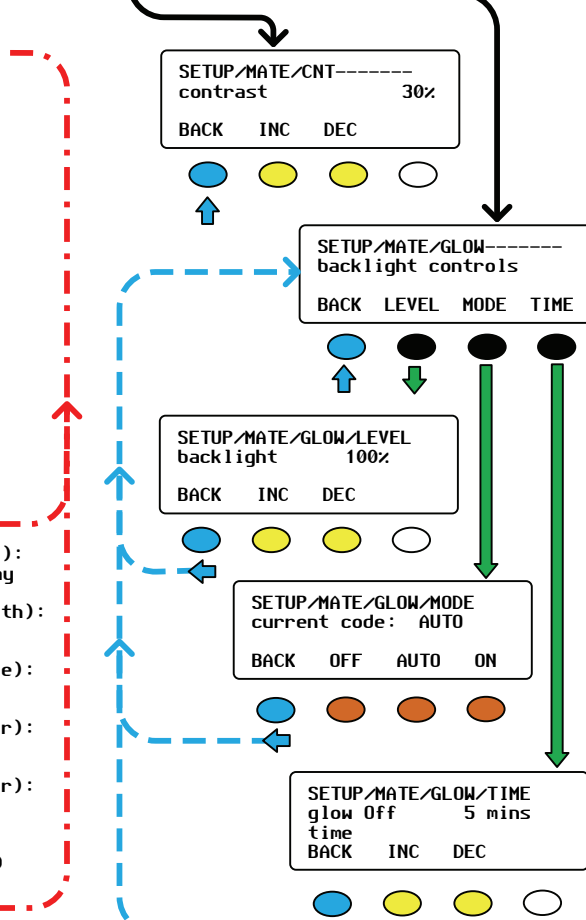
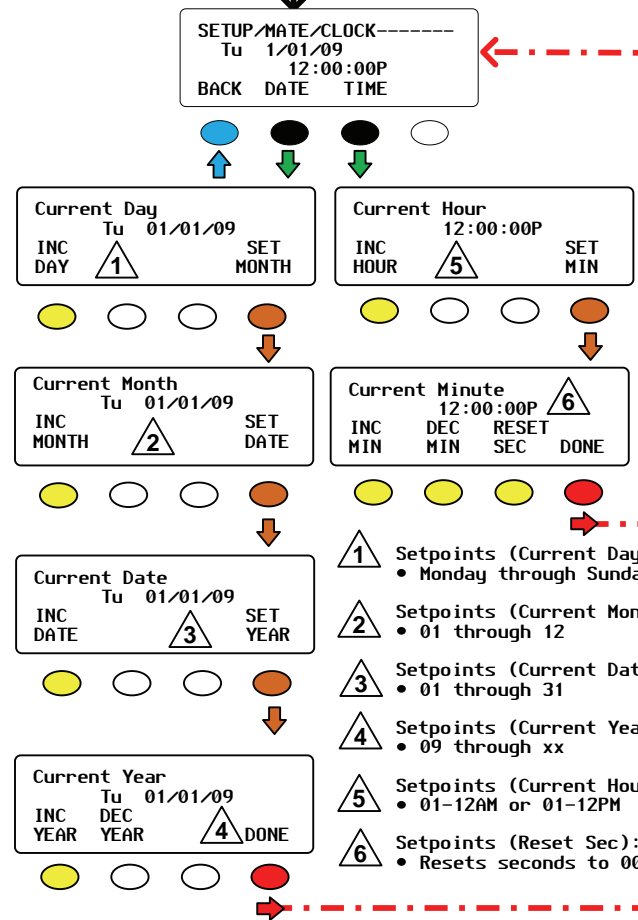
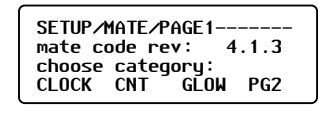
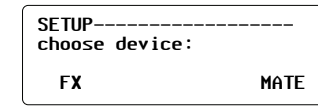
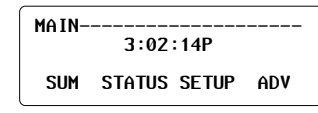
To return to the Main screen at any time:



Main Screen



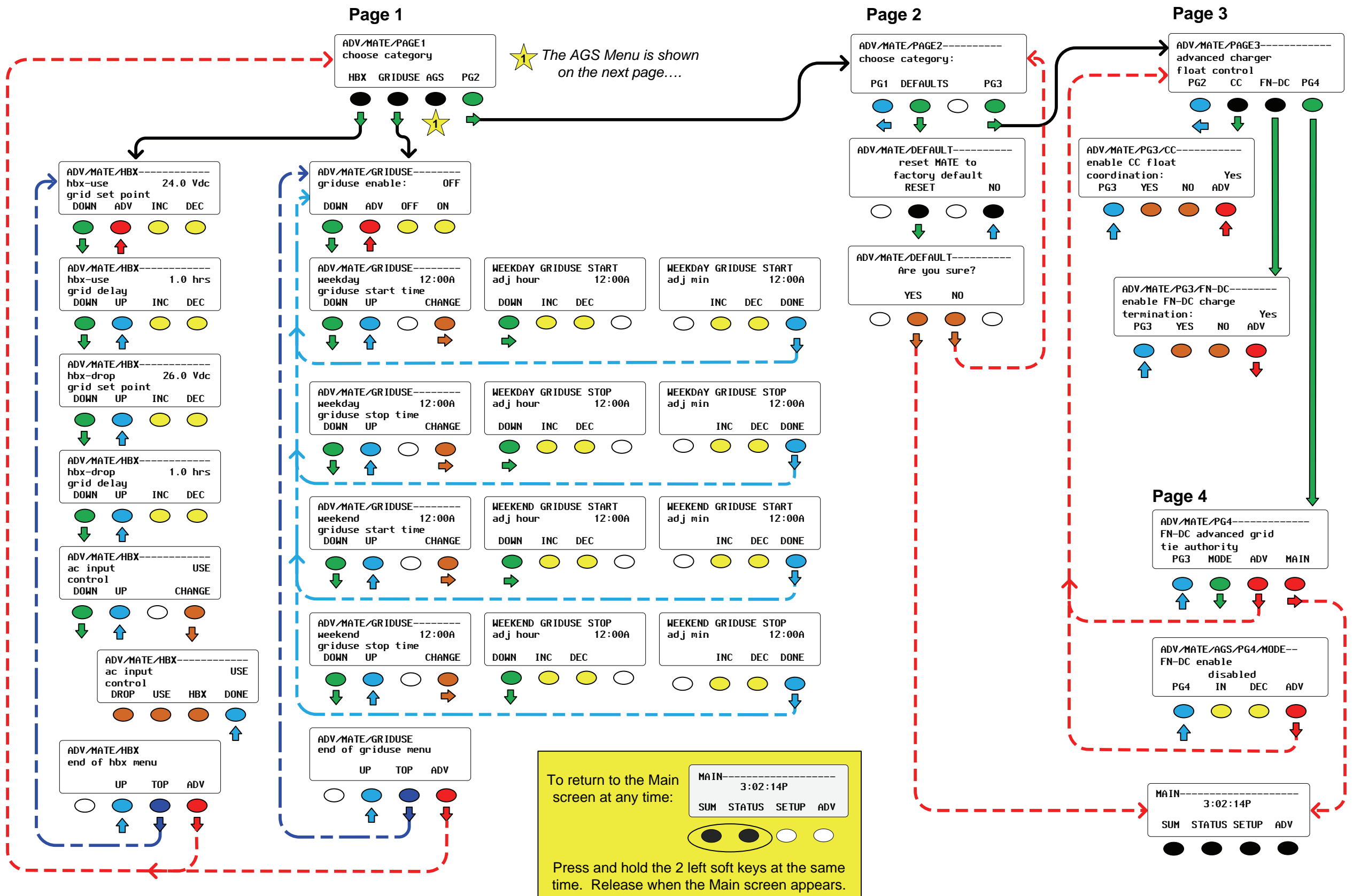
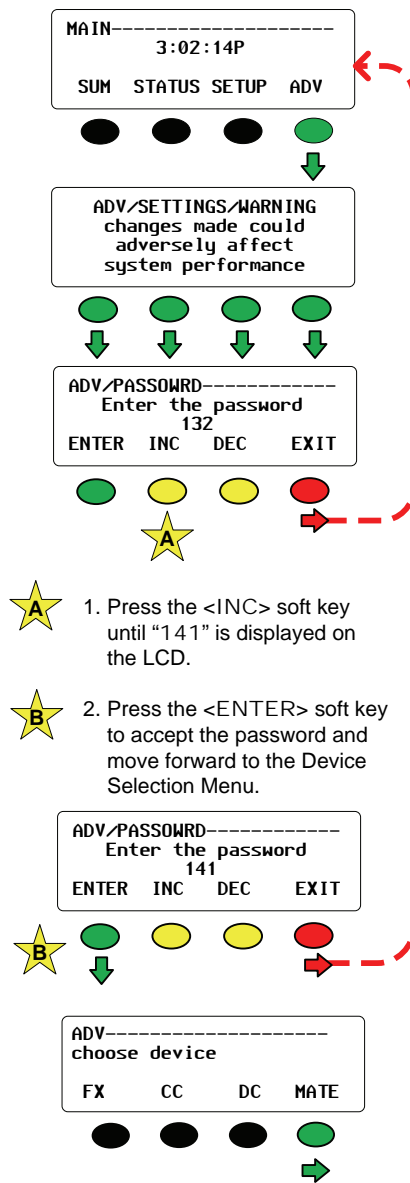
Main Screen



Advanced Setup Menu

Changing more detailed operating parameters requires access to the Advanced Setup Menu.

Accessing the Advanced Menu:



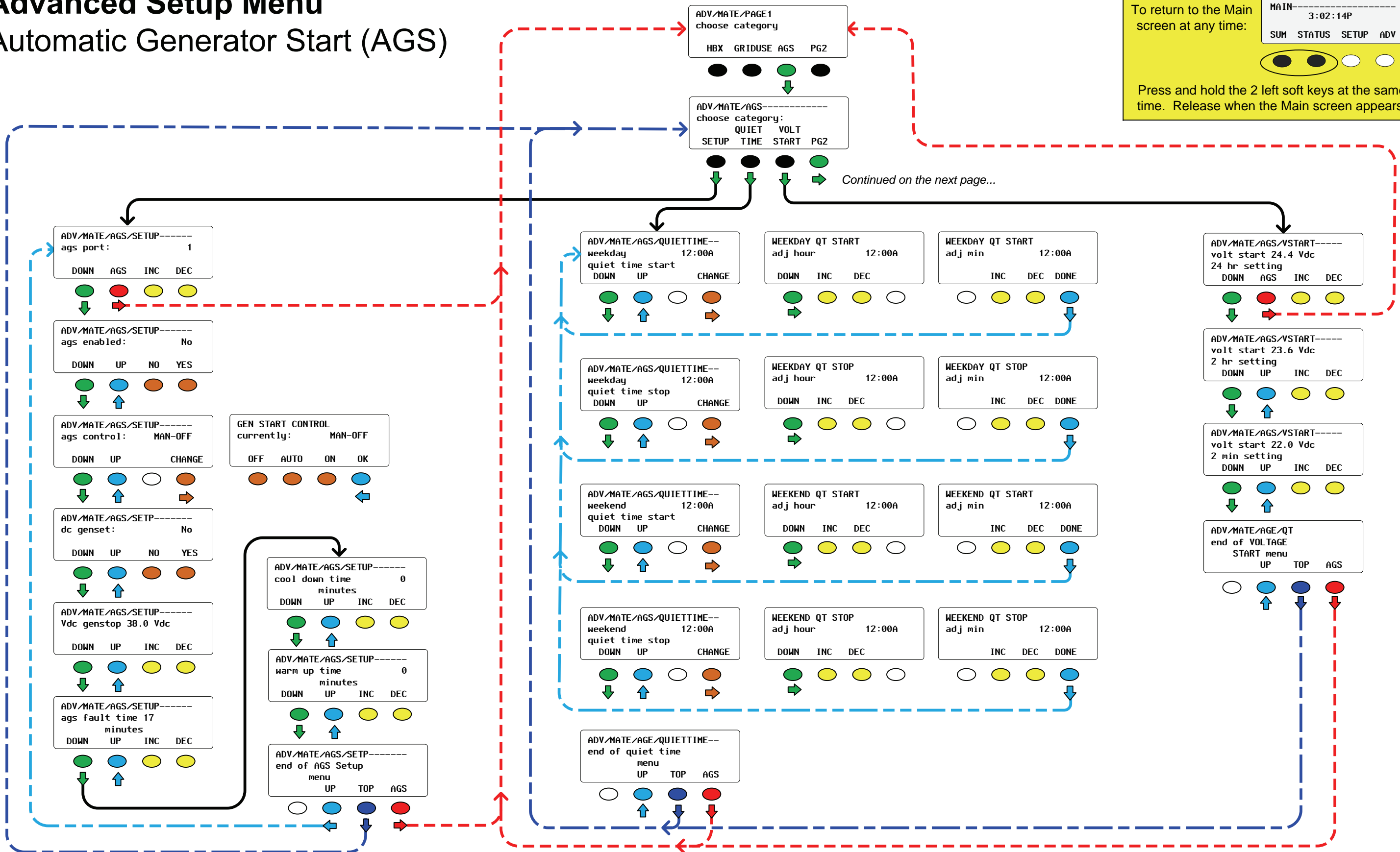
MATE

Advanced Setup Menu Automatic Generator Start (AGS)

To return to the Main screen at any time:

MAIN	3:02:14P		
SUM	STATUS	SETUP	ADV

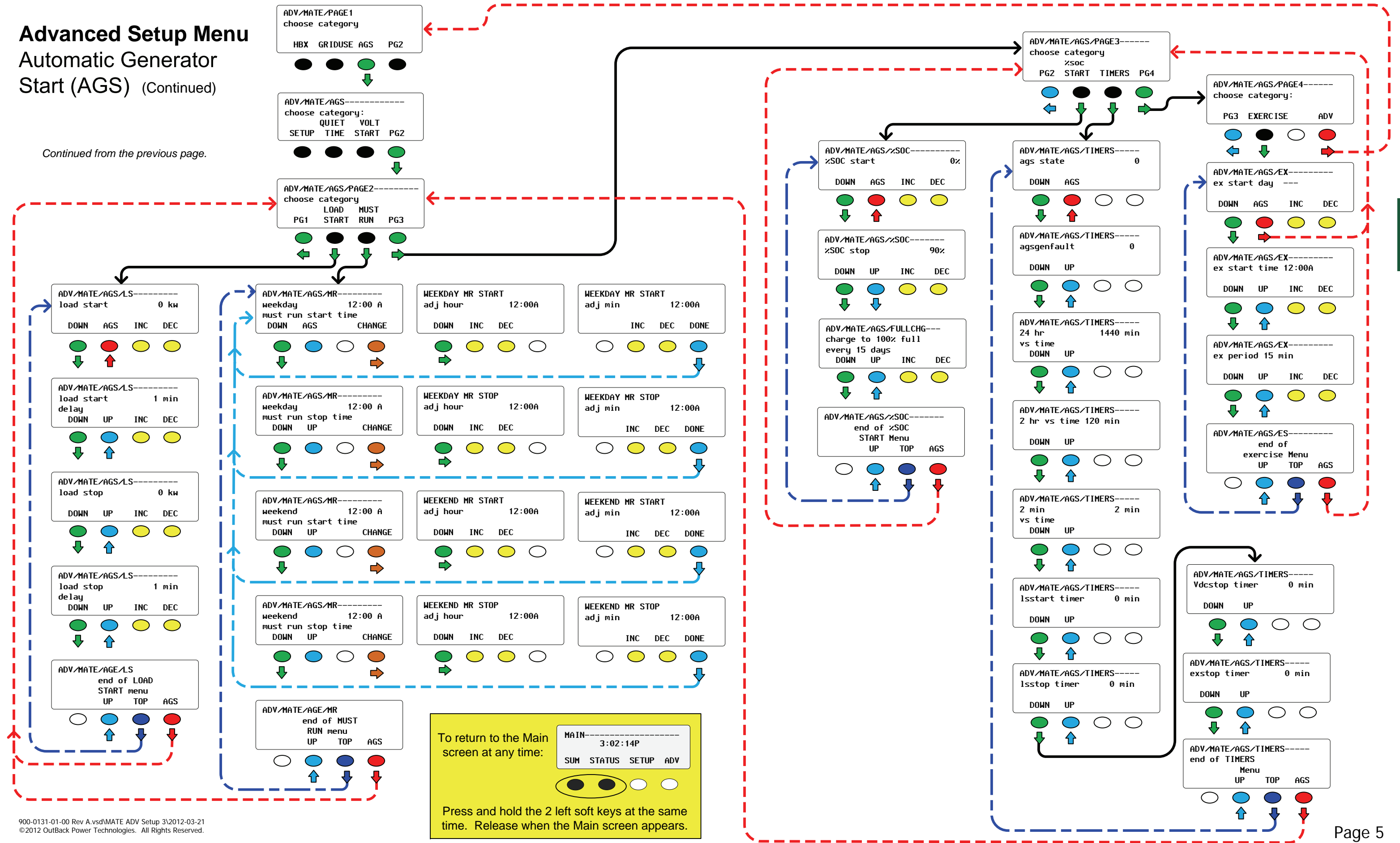
Press and hold the 2 left soft keys at the same time. Release when the Main screen appears.



MATE

Advanced Setup Menu Automatic Generator Start (AGS) (Continued)

Continued from the previous page.



Basic Setup Menu

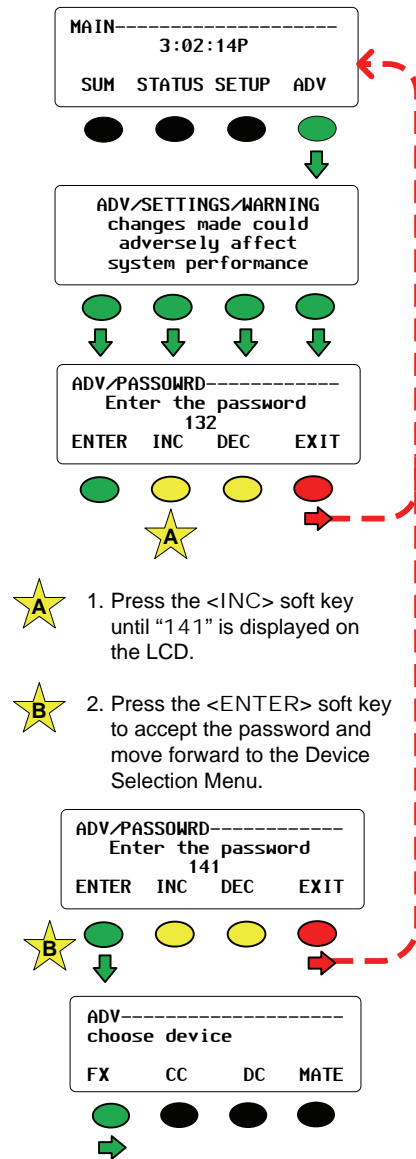
Setting up the basic Inverter functions includes:

1. Selecting the AC input (Grid or Gen).
2. Setting the Search function.

Advanced Setup Menu

Changing more detailed operating parameters requires access to the Advanced Setup Menu.

Accessing the Advanced Menu:



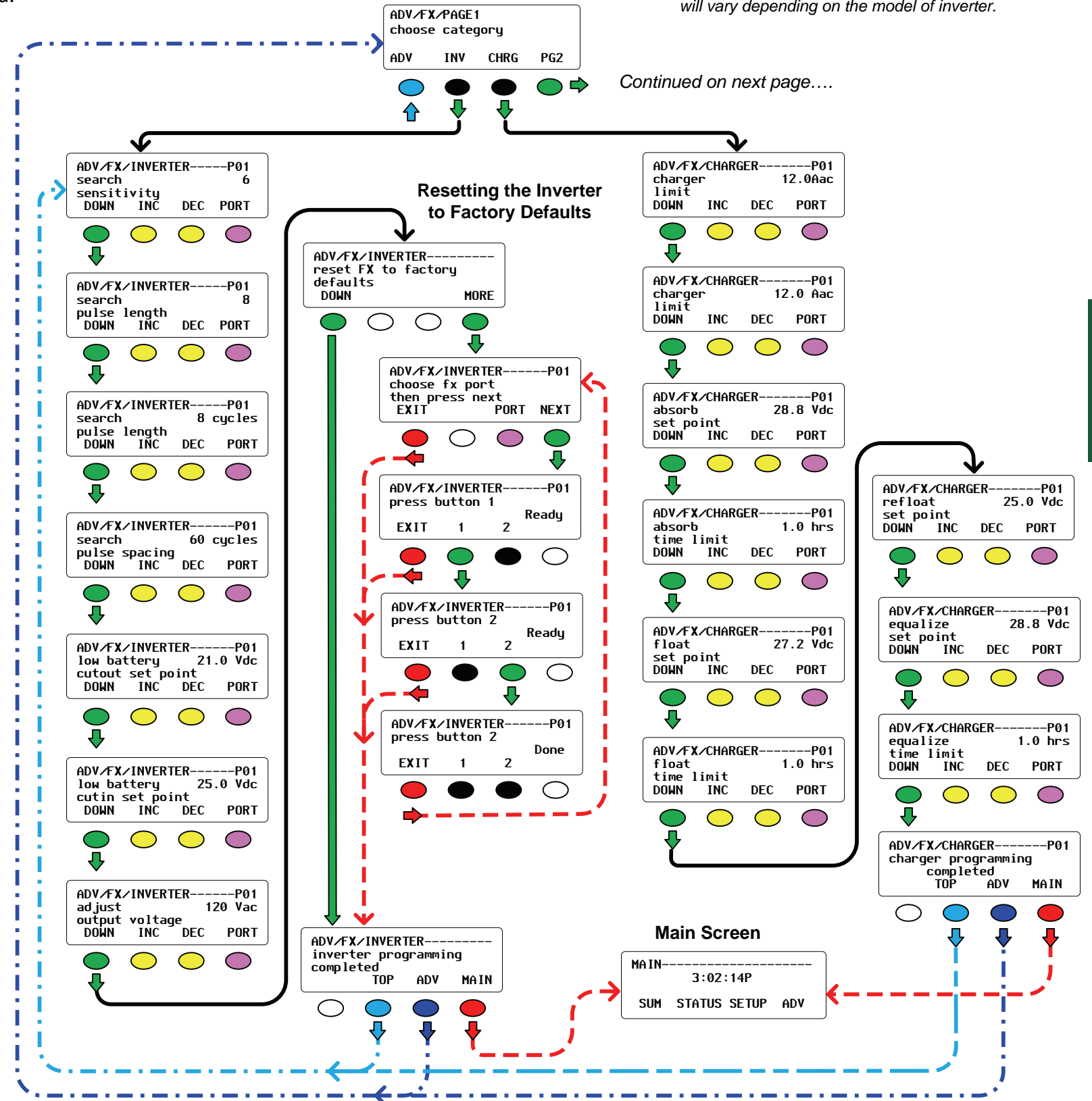
To return to the Main screen at any time:

MAIN 3:02:14P
 SUM STATUS SETUP ADV

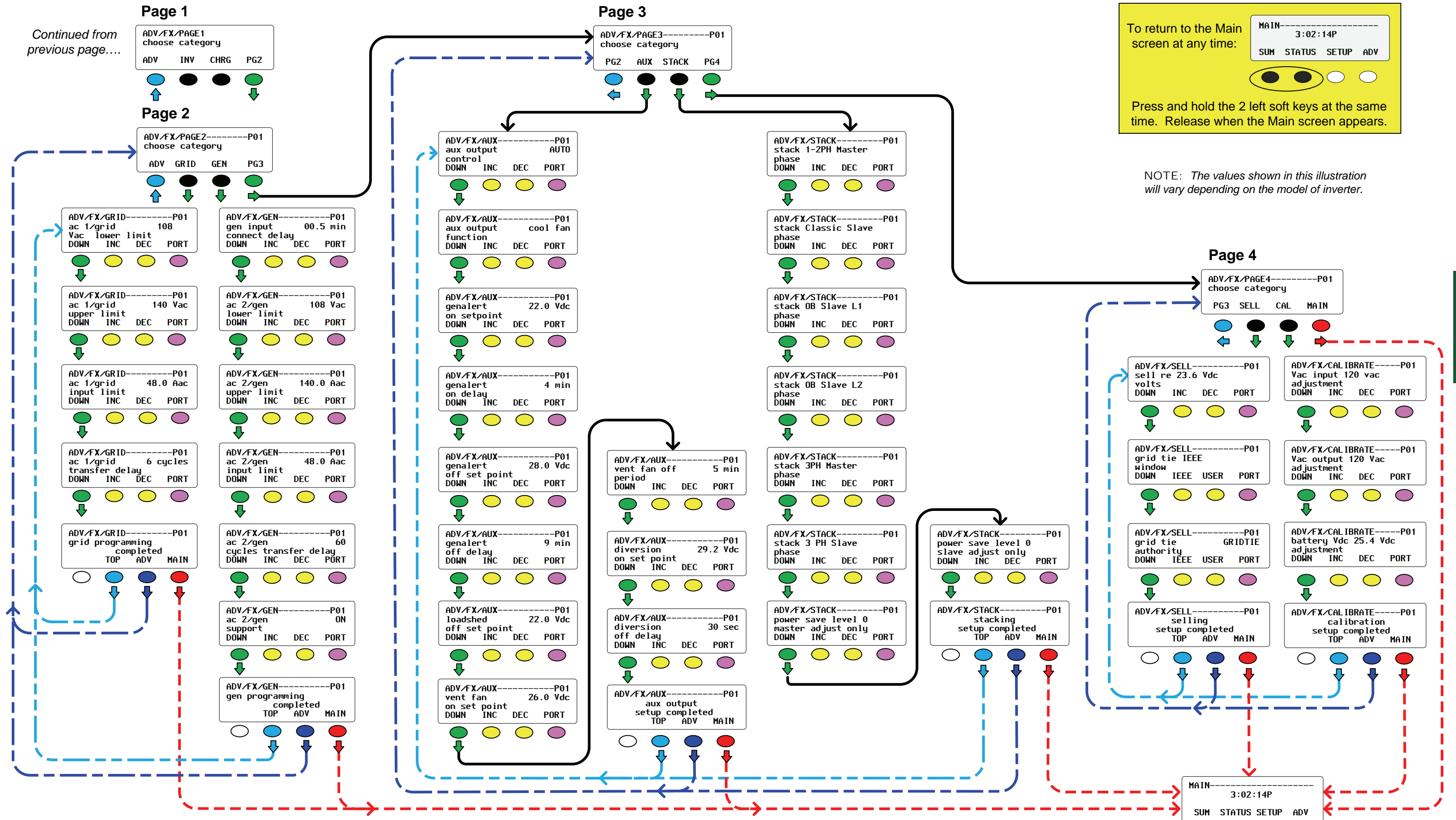
Press and hold the 2 left soft keys at the same time. Release when the Main screen appears.

Advanced Menu for Inverter (Page 1 of 3)

NOTE: The values shown in this illustration will vary depending on the model of inverter.



Advanced Inverter Setup Menu (continued)



To return to the Main screen at any time:

MAIN----- 3:02:14P
SUM STATUS SETUP ADV

Press and hold the 2 left soft keys at the same time. Release when the Main screen appears.

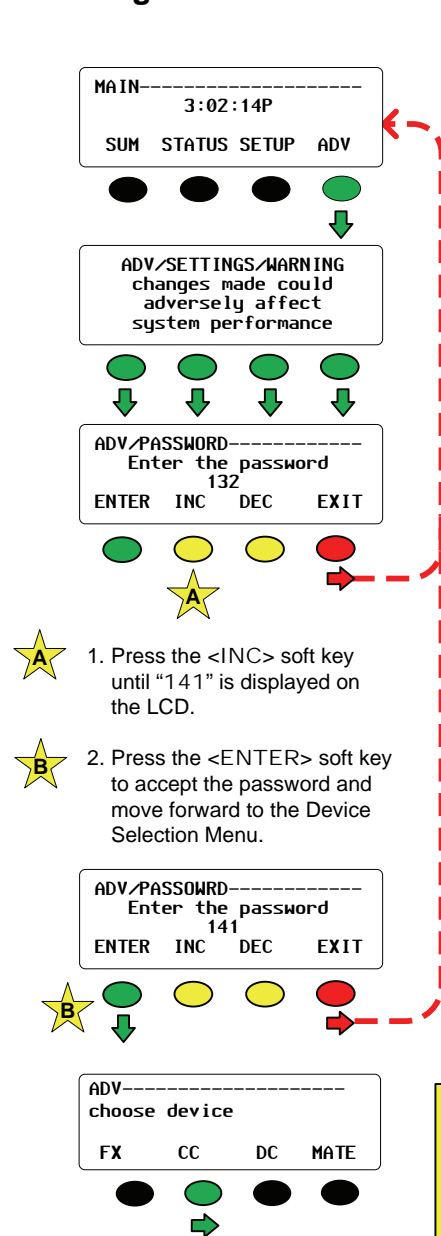
NOTE: The values shown in this illustration will vary depending on the model of inverter.

INVERTER

Advanced Setup Menu

Changing more detailed operating parameters requires access to the Advanced Setup Menu.

Accessing the Advanced Menu:



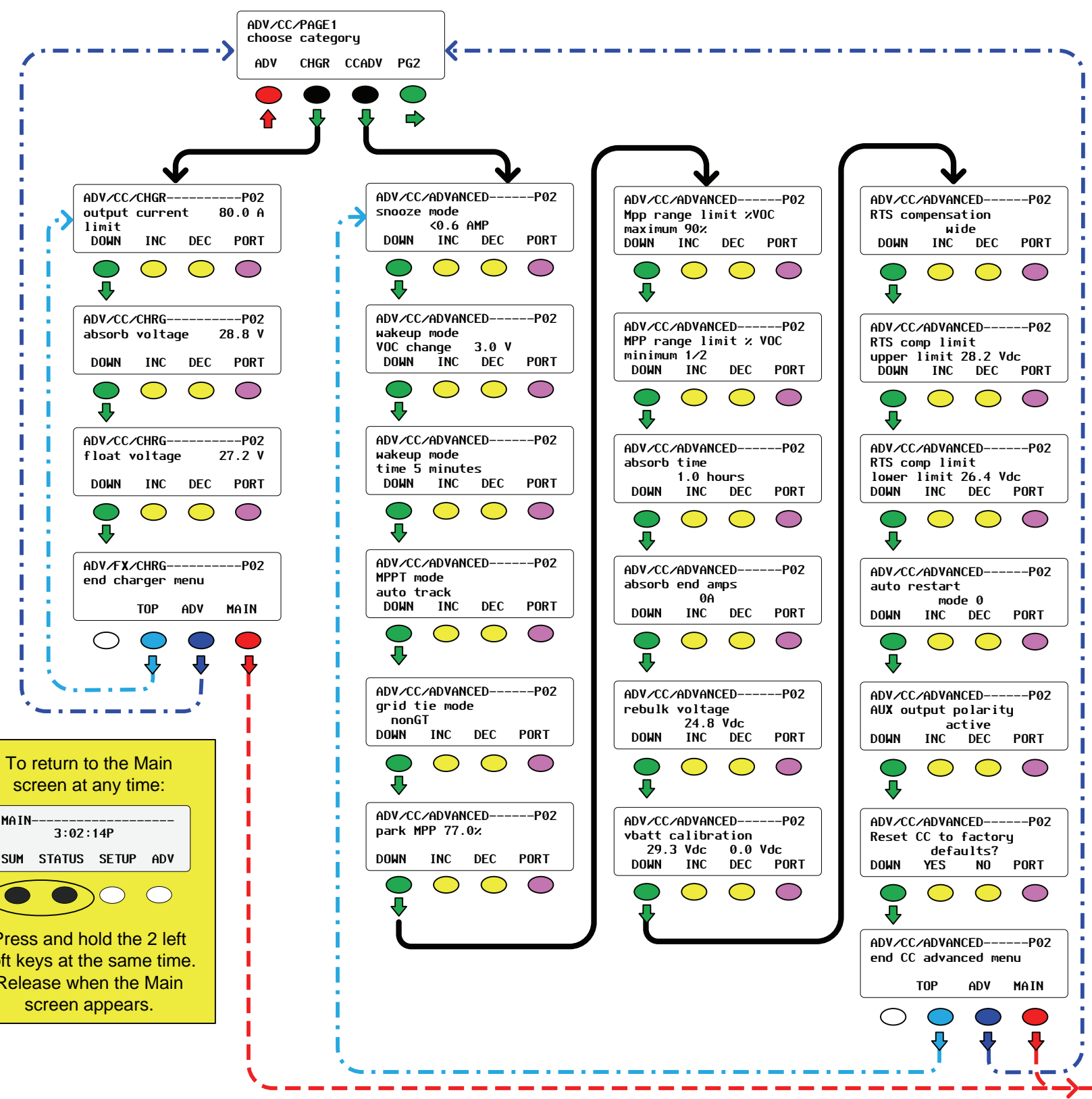
- A** 1. Press the <INC> soft key until "141" is displayed on the LCD.
- B** 2. Press the <ENTER> soft key to accept the password and move forward to the Device Selection Menu.

To return to the Main screen at any time:

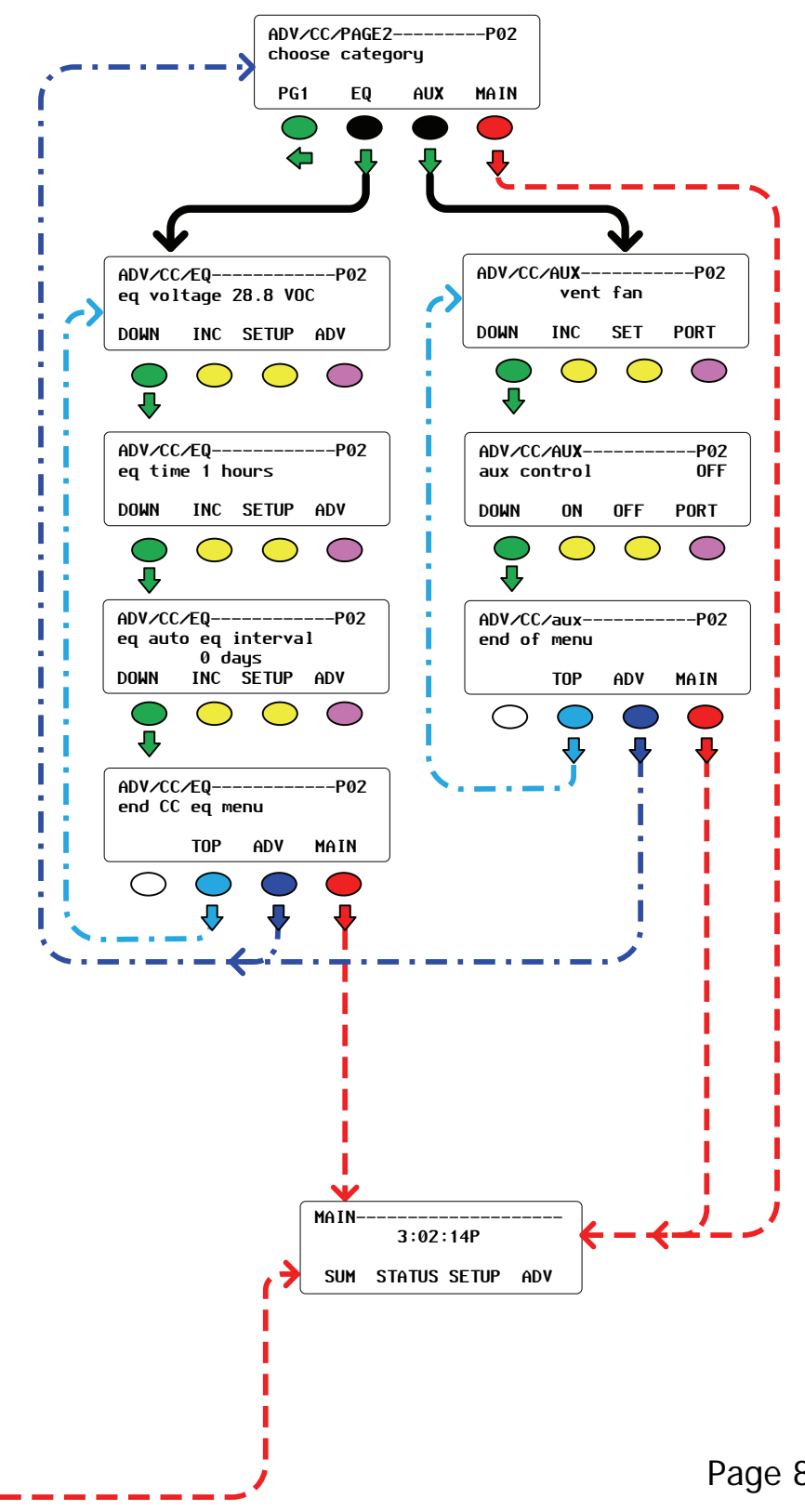
MAIN 3:02:14P
SUM STATUS SETUP ADV

Press and hold the 2 left soft keys at the same time. Release when the Main screen appears.

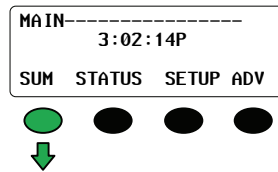
Advanced Menu for the FLEXmax Charge Controller (Page 1 of 2)



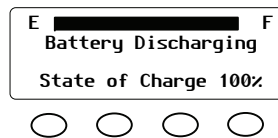
Advanced Menu for the FLEXmax Charge Controller (Page 2 of 2)



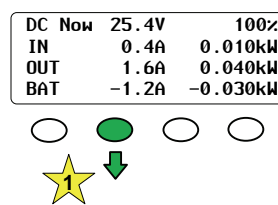
Main Screen



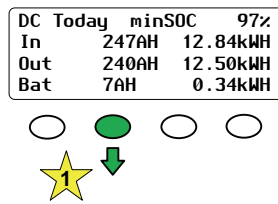
State-of-Charge Screen



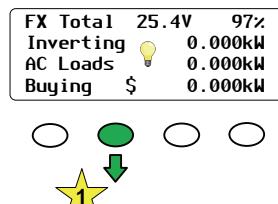
Summary Screen #1



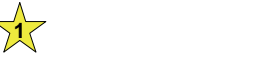
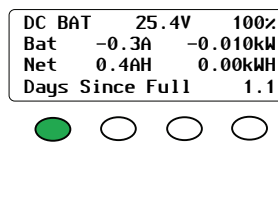
Summary Screen #2



Summary Screen #3

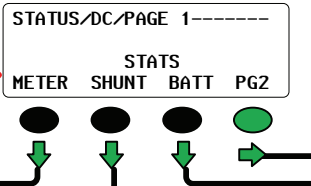
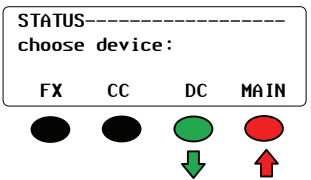
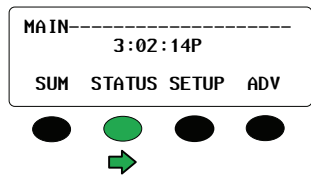


Summary Screen #4



Press this soft key to proceed. This screen will also automatically move forward after a user-defined period of time.

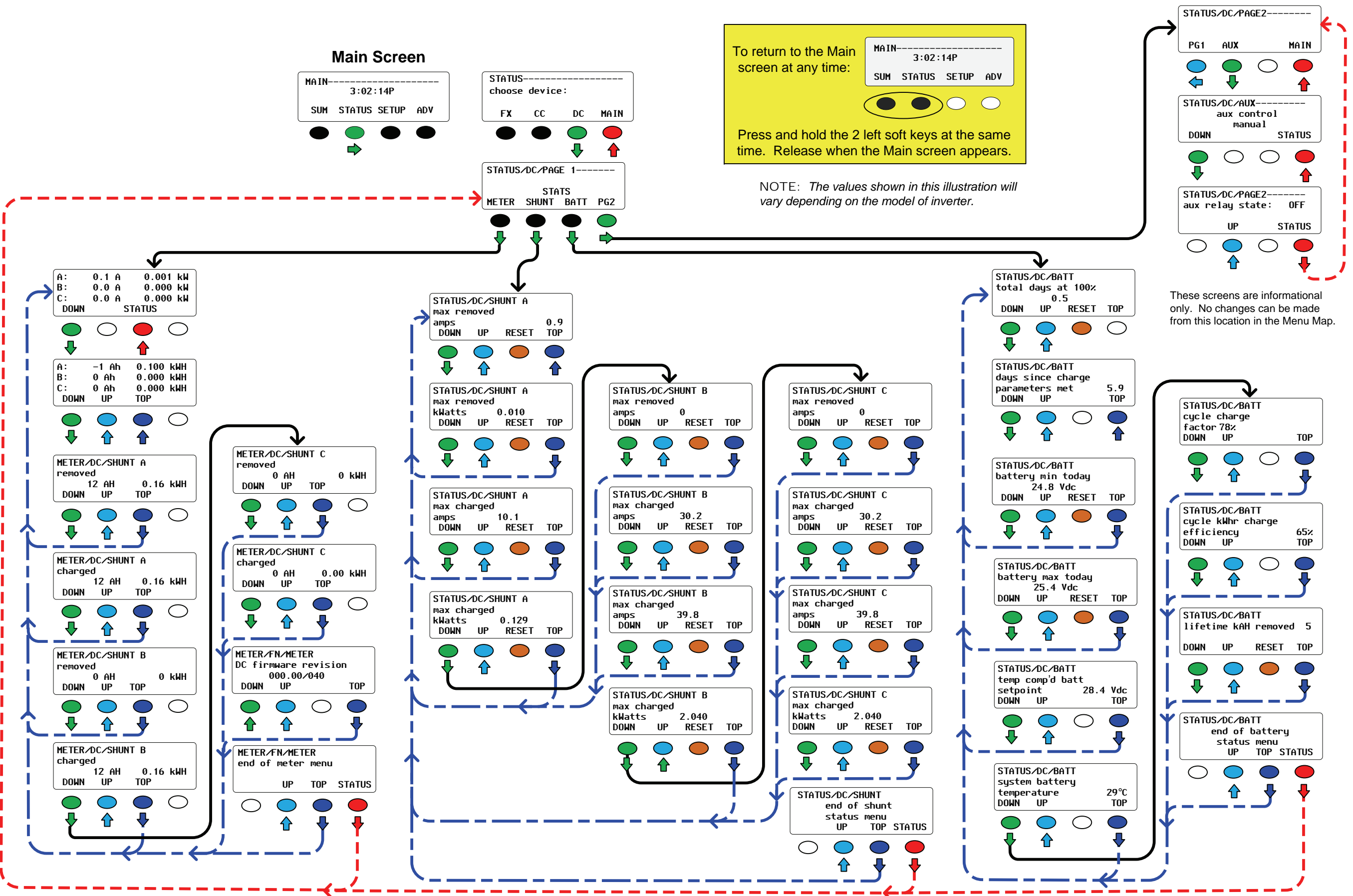
Main Screen



To return to the Main screen at any time:

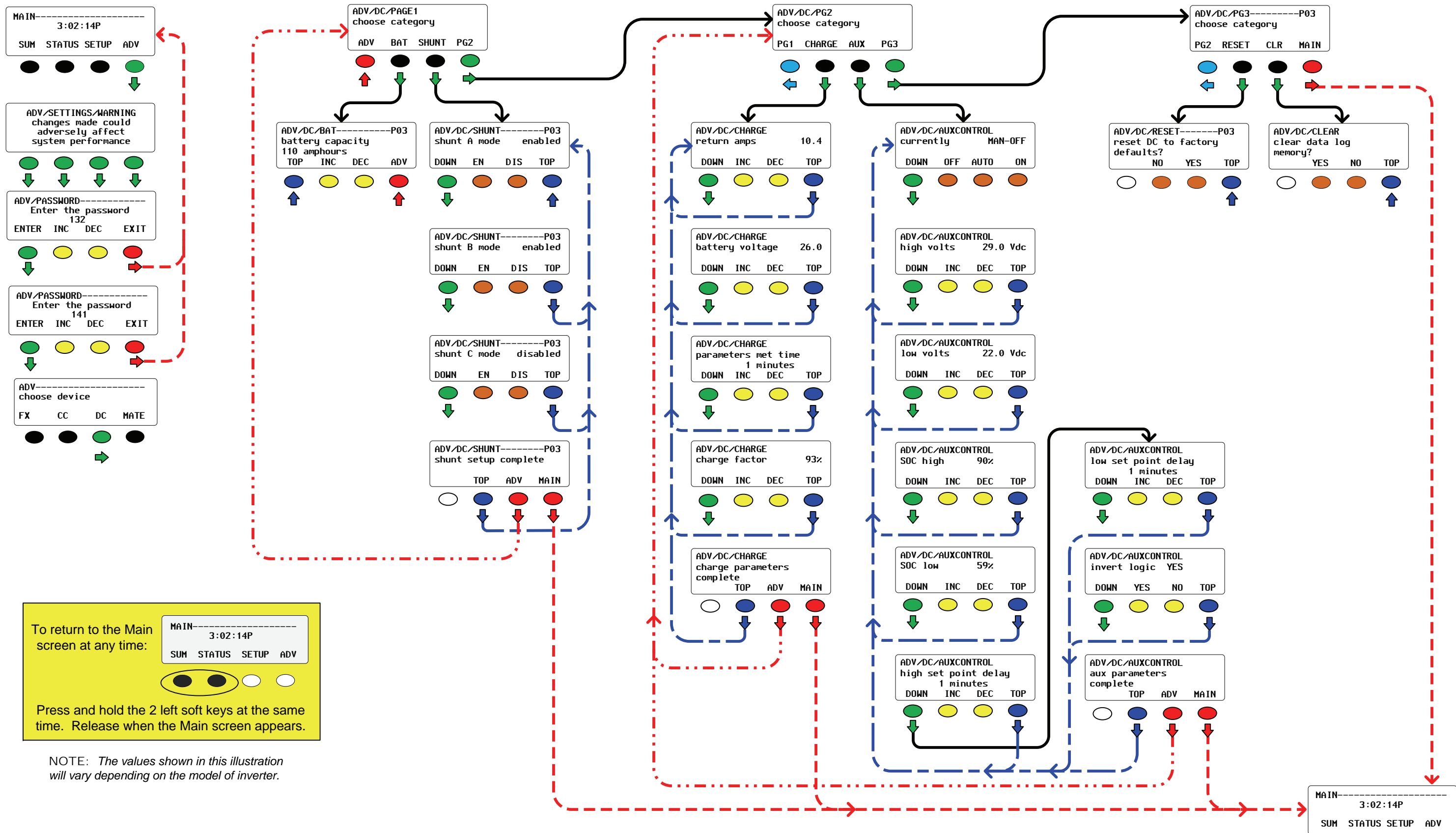
Press and hold the 2 left soft keys at the same time. Release when the Main screen appears.

NOTE: The values shown in this illustration will vary depending on the model of inverter.



These screens are informational only. No changes can be made from this location in the Menu Map.

Accessing the Advanced Menu:



To return to the Main screen at any time:

MAIN 3:02:14P
SUM STATUS SETUP ADV

Press and hold the 2 left soft keys at the same time. Release when the Main screen appears.

NOTE: The values shown in this illustration will vary depending on the model of inverter.

About OutBack Power Technologies

OutBack Power Technologies is a leader in advanced energy conversion technology. Our products include true sine wave inverter/chargers, maximum power point tracking charge controllers, and system communication components, as well as circuit breakers, batteries, accessories, and assembled systems.

Contact Information

Telephone: +1.360.435.6030 (Main)
+1.360.618.4363 (Technical Support)
+1.360.435.6019 (Fax)

Mailing Address: OutBack Power Technologies
5917 - 195th Street N.E.
Arlington, WA 98223 USA

Sales & Marketing
6115 – 192nd Street NE
Arlington, WA 98223 USA

E-mail: Support@outbackpower.com

Web Site: www.outbackpower.com

Disclaimer

UNLESS SPECIFICALLY AGREED TO IN WRITING, OUTBACK POWER TECHNOLOGIES:

(a) MAKES NO WARRANTY AS TO THE ACCURACY, SUFFICIENCY OR SUITABILITY OF ANY TECHNICAL OR OTHER INFORMATION PROVIDED IN ITS MANUALS OR OTHER DOCUMENTATION.

(b) ASSUMES NO RESPONSIBILITY OR LIABILITY FOR LOSS OR DAMAGE, WHETHER DIRECT, INDIRECT, CONSEQUENTIAL OR INCIDENTAL, WHICH MIGHT ARISE OUT OF THE USE OF SUCH INFORMATION. THE USE OF ANY SUCH INFORMATION WILL BE ENTIRELY AT THE USER'S RISK.

Warranty Summary

OutBack Power Technologies warrants that the products it manufactures will be free from defects in materials and workmanship for a period of five (5) years subject to the conditions set forth in the warranty detail, found in the product manual.

OutBack Power Technologies cannot be responsible for system failure, damages, or injury resulting from improper installation of their products.

Notice of Copyright

MATE Series Overview © January 2012 by OutBack Power Technologies.
All Rights Reserved.

Trademarks

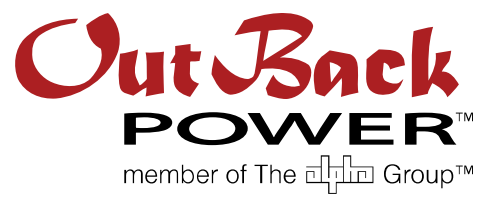
OutBack Power is a registered trademark of OutBack Power Technologies.

Date and Revision

January 2012, Revision A

Part Number

900-0131-01-00 Rev A



North America:
5917 - 195th Street N.E.
Arlington, WA USA
+1.360.435.6030

900-0131-01-00 Rev A