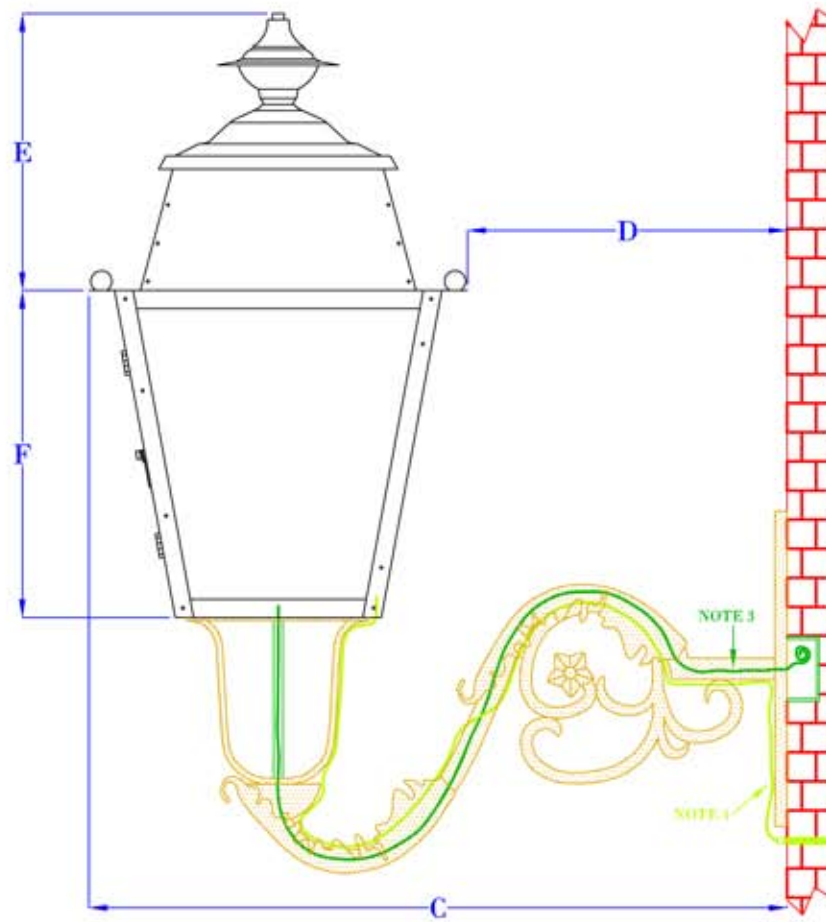
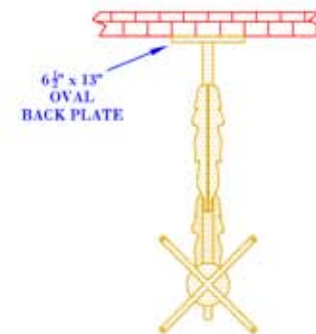


FRONT VIEW
(NTS)



SIDE VIEW
(NTS)



TOP VIEW
(NTS-BRACKET ONLY)

NOTES:

1. MOUNTING HARDWARE SUPPLIED BY OTHERS
2. FIXTURES ARE HANDCRAFTED. DIMENSIONS MAY VARY PLUS OR MINUS $\frac{1}{4}$ "
3. ELECTRIC LIGHTS SUPPLIED WITH 18/2 WIRE WITH GROUND
4. GAS LIGHTS SUPPLIED WITH $\frac{3}{16}$ " COPPER GAS LINE AND $\frac{3}{16}$ " x $\frac{1}{4}$ " GAS LINE ADAPTOR

SIZE:	26"
A:	35 $\frac{1}{4}$ "
B:	16 $\frac{1}{8}$ "
C:	29 $\frac{3}{8}$ "
D:	13 $\frac{1}{4}$ "
E:	11"
F:	13 $\frac{3}{4}$ "

BEVOLO GAS & ELECTRIC LIGHTS

LIGHT:

MARSEILLES

DRW BY: **JJG**

DATE:

APP. BY: **MAJ**

COPYRIGHT 2009, BEVOLO GAS & ELECTRIC LIGHTS. DRAWINGS & DESIGNS ARE OWNED BY BEVOLO AND REMAIN THE SOLE AND EXCLUSIVE PROPERTY OF BEVOLO GAS & ELECTRIC LIGHTS. DRAWINGS AND DESIGNS SHALL NOT BE DUPLICATED IN WHOLE OR PART.

BRACKET:

STANDARD GOOSENECK

10-7-10

REVISION:

1