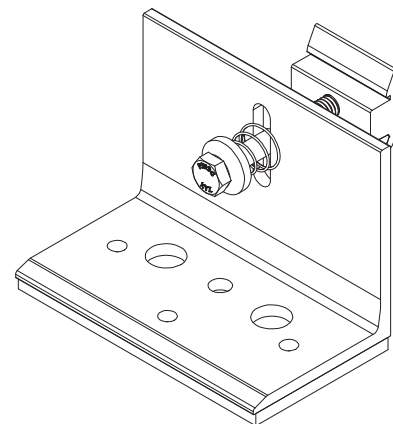


Required Tools

- Roof Marking Crayon
- 1/2" Socket
- Socket Wrench or Impact Driver
- Drill with 3/16" Pilot Bit

Materials Included - AnchorFoot™

- ① (1) SnapNrack AnchorFoot™
- ② (1) SnapNrack Ultra Rail Mount
- ③ (1) SnapNrack Ultra Mount Spring
- ④ (1) 5/16"-18 X 2 1/4" SS Bolt
- ⑤ (1) Butyl Strip



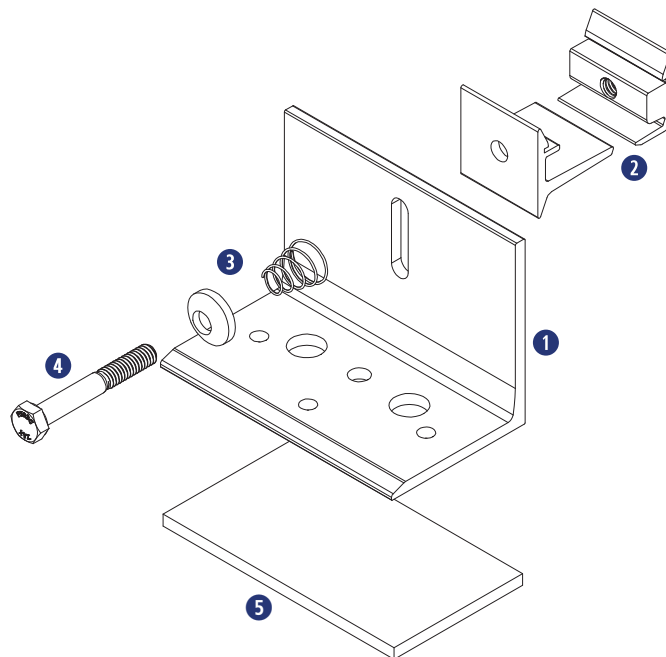
Other Materials Required (Not Shown)

Deck Mount (Minimum 1/2" Nominal Plywood)

- ① (2) DeckAnchor™ Screws
- ② (4) #14 Wood Screws (1/2" Minimum Embedment not including screw tip)

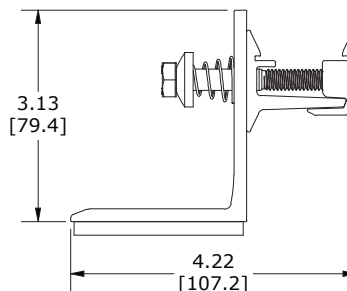
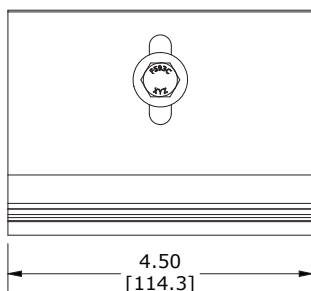
Rafter Mount

- ① (1) 5/16" Lag Screw (2 1/2" Minimum Embedment)
- ② (2) #14 Wood Screws (1 1/4" Minimum Embedment)



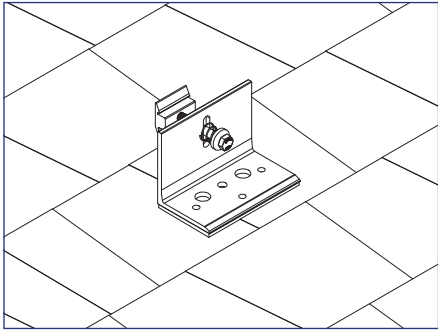
Application Note:

Install on composition shingle roofs and low slope rolled composition or membrane roofs with no chance of standing water.



Dimensioned AnchorFoot™

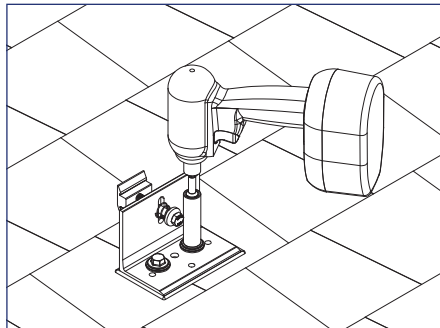
DECKANCHOR™ SCREWS INSTALLATION INSTRUCTIONS



1) Using roof attachment locations drawn during system layout, check positioning of AnchorFoot™ for proper alignment on shingle course.

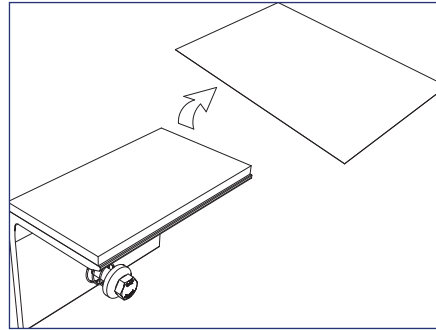
Best Practice:
AnchorFoot™ should never be installed across two shingle courses.

Install Note:
Fill any seam in shingles within 4" of a fastener with sealant prior to installing AnchorFoot™.



4) Repeat for the remaining DeckAnchor™ screw.

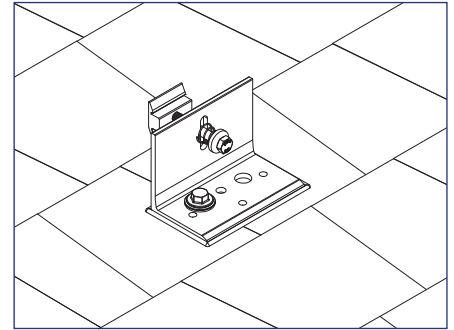
Best Practice:
Tighten fasteners until butyl starts squeezing out from all sides of the foot.



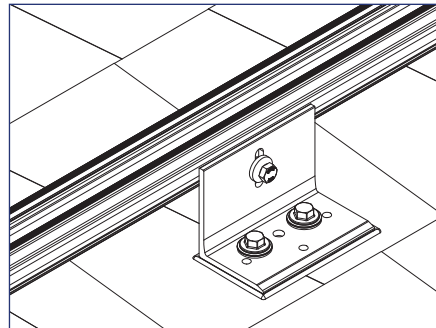
2) Remove paper from the bottom of the AnchorFoot™ to expose the layer of butyl

Best Practice:
AnchorFoot™ should be installed only on dry, clean surfaces. Remove any moisture, dirt, or debris from roof surface before AnchorFoot™ is installed.

Install Note:
For best results, roof and attachment temperature should be at least 32° F.



3) Insert first DeckAnchor™ screw through AnchorFoot™ mounting hole and drive into roof.



5) Install SnapNrack Ultra Rail directly to the Ultra Rail Mounting Hardware, level rails & tighten to 12 ft-lbs.

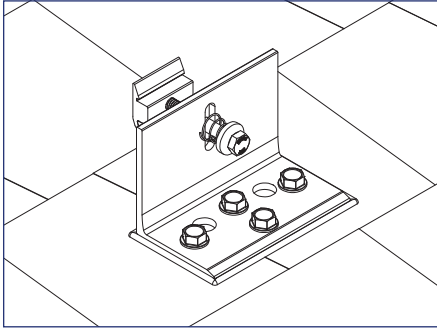
OTHER MOUNTING OPTIONS

Deck Mount (Minimum ½" Nominal Plywood)

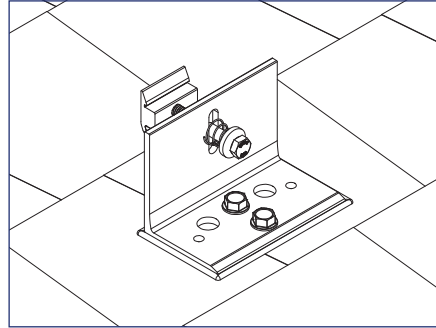
1. (4) #14 Wood Screws (½" Minimum Embedment not including screw tip)

Rafter Mount

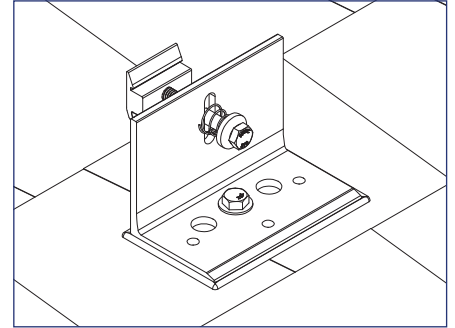
1. (1) 5/16" Lag Screw (2 ½" Minimum Embedment)
2. (2) #14 Wood Screws (1 ¼" Minimum Embedment)



(4) #14 Wood Screws (Minimum ½" Plywood)



(2) #14 Wood Screws Into Rafter (Minimum 1 ¼" Embedment)



(1) 5/16" Lag Screw into Rafter (Minimum 2 ½" Embedment)