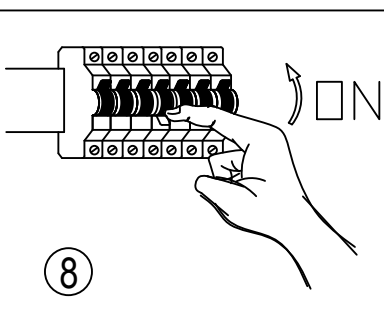
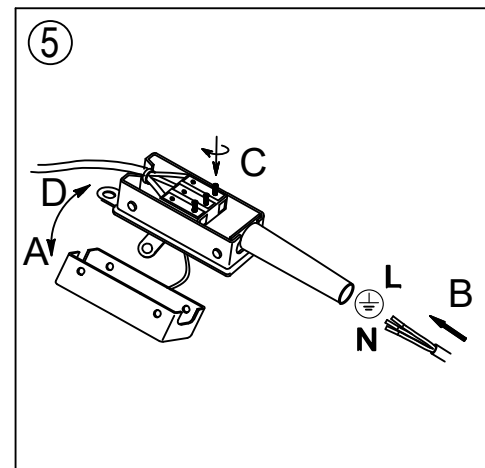
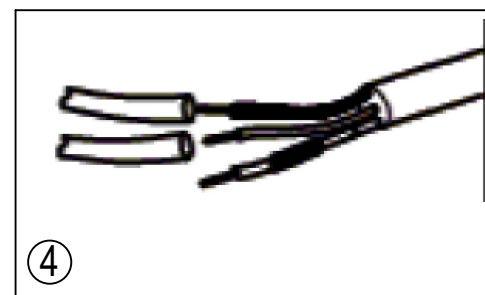
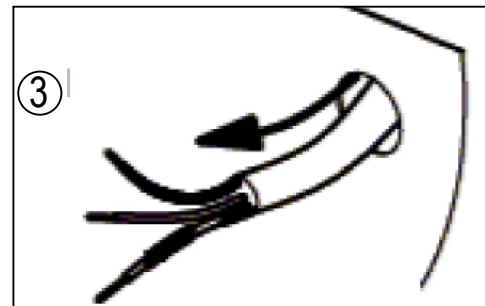
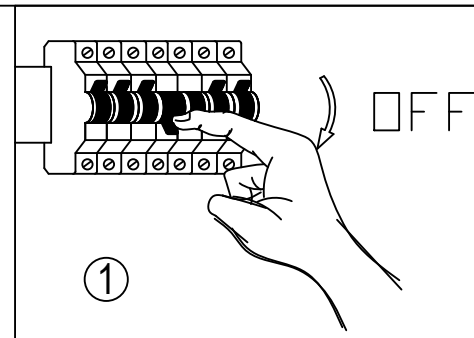
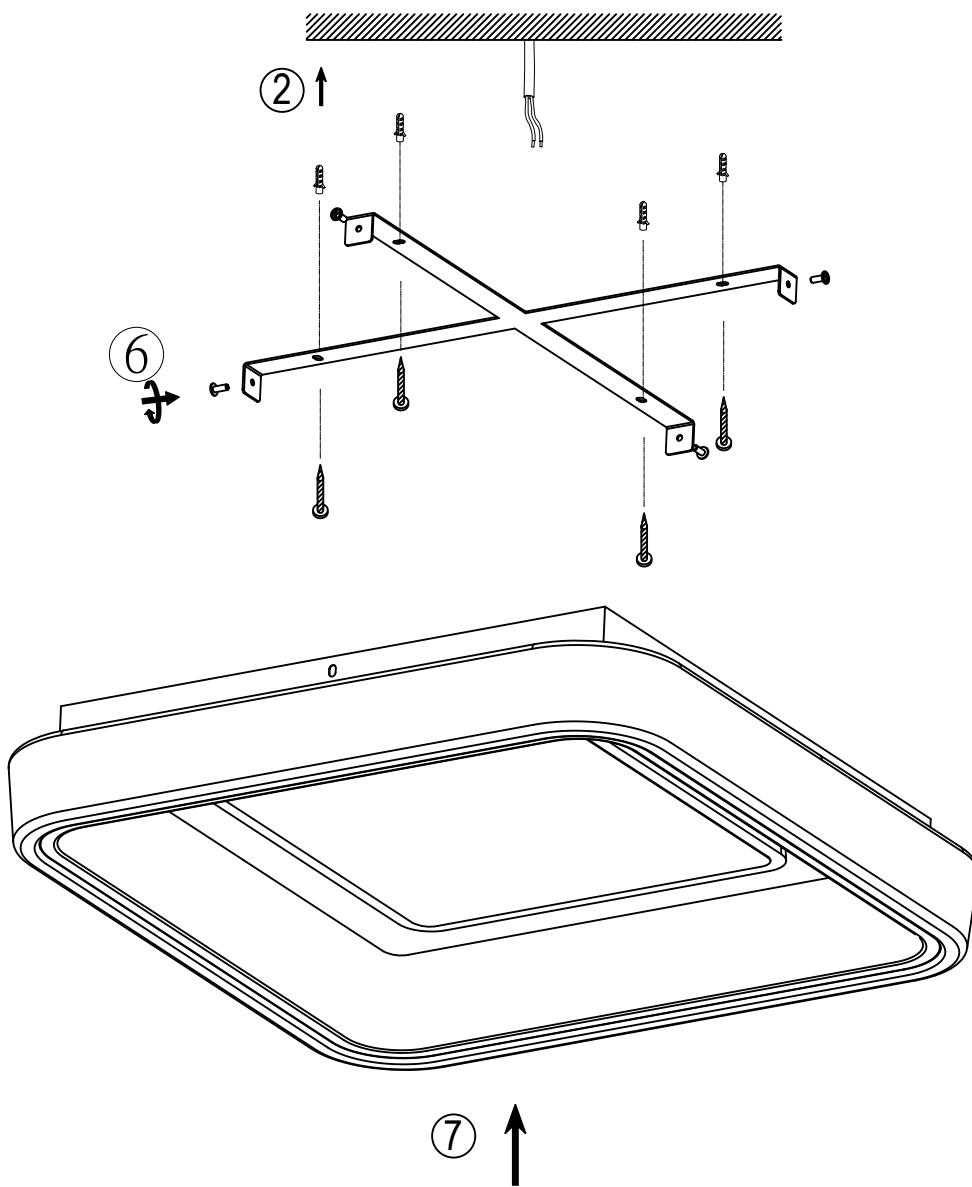


ITEM: LED-NURAX-Q50



IMPORTED AND DISTRIBUTED BY
F.A.N EUROPE LIGHTING S.R.L A SOCIO UNICO
Via Nuova Poggioreale 45A 80143 Napoli, Italy
www.faneurope.it

