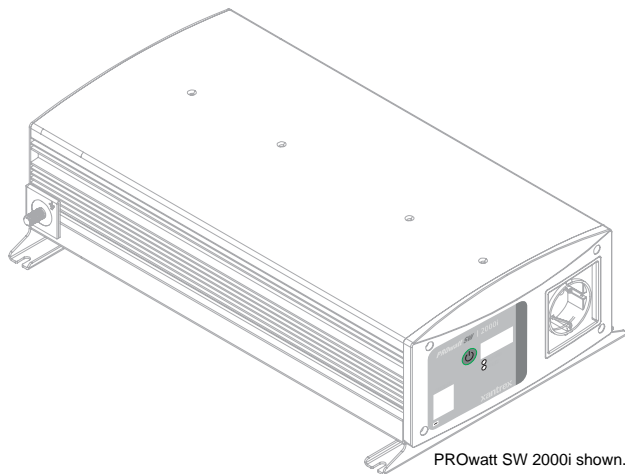


Smart choice for power™

xantrex™



PROwatt SW 2000i shown.

PROwatt™ SW Sine Wave Inverter

230 Volt AC Output. For use with
12 Volt Battery Systems Only.

Owner's Guide

PROwatt SW 700i
PROwatt SW 1400i
PROwatt SW 2000i

About Xantrex

Xantrex Technology Inc. (www.xantrex.com), a subsidiary of Schneider Electric, is a world leader in the development, manufacturing and marketing of advanced power electronic products and systems for the renewable and mobile power markets. The company's products convert and control raw electrical power from any central, distributed, renewable, or backup power source into high-quality power required by electronic equipment and the electricity grid. Xantrex is headquartered in Vancouver, Canada, with facilities in the United States, Germany, Spain, and a joint venture in China.

About Schneider Electric

As a global specialist in energy management with operations in more than 100 countries, Schneider Electric offers integrated solutions across multiple market segments, including leadership positions in energy and infrastructure, industrial processes, building automation, and data centres/networks, as well as a broad presence in residential applications. Focused on making energy safe, reliable, and efficient, the company's 120,000 employees achieved sales of more than 17.3 billion euros in 2007, through an active commitment to help individuals and organizations "Make the most of their energy™".

Trademarks

Xantrex, **PROwatt**, and **Smart choice for power** are trademarks of Schneider Electric, registered in the U.S. and other countries. **Make the most of their energy** is a trademark of Schneider Electric.

Other trademarks, registered trademarks, and product names are the property of their respective owners and are used herein for identification purposes only.

Notice of Copyright

Xantrex PROwatt™ SW International Sine Wave Inverter Owner's Guide © June 2009 Xantrex Technology Inc. All rights reserved. No part of this document may be reproduced in any form or disclosed to third parties without the express written consent of: Xantrex Technology Inc., 161-G South Vasco Road, Livermore, California, USA 94551. Xantrex Technology Inc. reserves the right to revise this document and to periodically make changes to the content hereof without obligation or organization of such revisions or changes unless required to do so by prior arrangement.

Exclusion for Documentation

Unless specifically agreed to in writing, Xantrex Technology Inc. ("Xantrex")

- (a) makes no warranty as to the accuracy, sufficiency or suitability of any technical or other information provided in its manuals or other documentation;
- (b) assumes no responsibility or liability for losses, damages, costs or expenses, whether special, direct, indirect, consequential or incidental, which might arise out of the use of such information. The use of any such information will be entirely at the user's risk; and
- (c) reminds you that if this manual is in any language other than English, although steps have been taken to maintain the accuracy of the translation, the accuracy cannot be guaranteed. Approved Xantrex content is contained with the English language version which is posted at www.xantrex.com.

Date and Revision

June 2009 Rev A

Document Part Number

975-0525-01-01

Product Numbers

PROwatt SW 700i 12V (806-1206-01)

PROwatt SW 1400i 12V (806-1210-01)

PROwatt SW 2000i 12V (806-1220-01)

Contact Information

Telephone: 1 800 670 0707 (toll free North America)
1 408 987 6030 (direct)
+34 93 470 5330 (Europe)

Fax: 1 800 994 7828 (toll free North America)
+34 93 473 6093 (Europe)

Email: customerservice@xantrex.com

Web: www.xantrex.com

About This Guide

Purpose

The purpose of this Owner's Guide is to provide explanations and procedures for operating, installing, maintaining, and troubleshooting the PROwatt™ SW International Sine Wave Inverter.

Scope

The Guide provides safety guidelines, as well as information about operating, installing, and troubleshooting the inverter. It does not provide details about particular brands of batteries. You need to consult individual battery manufacturers for this information.

Xantrex recommends that installation should be handled by qualified installers including licensed technicians and electricians. Qualified installers have knowledge and experience in installing electrical equipment, knowledge of the applicable installation codes, and awareness of the hazards involved in performing electrical work and how to reduce those hazards.

Audience

The Guide is intended for users and operators of the PROwatt™ SW International Sine Wave Inverter.

Conventions Used

The following conventions are used in this guide.



WARNING

Warnings identify conditions that could result in personal injury or loss of life.



CAUTION

Cautions identify conditions or practices that could result in damage to the unit or other equipment.

Important: These notes describe things which are important for you to know, however, they are not as serious as a caution or warning.

Related Information

You can find more information about Xantrex Technology Inc. as well as its products and services at www.xantrex.com.



The product marking on the left (yellow background, black exclamation point) when found imprinted on electrical and electronic units and appliances means that you are to refer to this guide for cautions and warnings.

Important Safety Instructions

IMPORTANT: READ AND SAVE THIS OWNER'S GUIDE FOR FUTURE REFERENCE.

This chapter contains important safety instructions for the PROwatt™ SW International Sine Wave Inverter.

Before using the PROwatt™ SW International Sine Wave Inverter, READ ALL instructions and cautionary markings on or provided with the PROwatt™ SW International Sine Wave Inverter, the batteries, and all appropriate sections of this guide.



WARNING: Shock, fire, and heat hazard. Risk of injury to persons.

1. Do not expose the PROwatt™ SW International Sine Wave Inverter to rain, snow, spray, or bilge water. To reduce risk of fire hazard, do not cover or obstruct the ventilation openings. Overheating may result.
2. To avoid a risk of fire and electric shock, make sure that wiring is in good condition, adequately rated, and not undersized. Do not operate the PROwatt™ SW International Sine Wave Inverter with damaged or substandard wiring.
3. Do not operate the PROwatt™ SW International Sine Wave Inverter if it has received a sharp blow, been dropped, or otherwise damaged in any way. If the PROwatt™ SW International Sine Wave Inverter is damaged, see the Warranty section.
4. Do not disassemble the PROwatt™ SW International Sine Wave Inverter. It contains no user-serviceable parts. See Warranty for instructions on obtaining service. Attempting to service the PROwatt™ SW International Sine Wave Inverter yourself may result in a risk of electrical shock or fire. Internal capacitors remain charged after all power is disconnected.
5. To reduce the risk of electrical shock, disconnect DC power from the PROwatt™ SW International Sine Wave Inverter before attempting any maintenance or cleaning or working on any circuits connected to the PROwatt™ SW International Sine Wave Inverter. Turning off the unit from the control panel will not reduce this risk.

Precautions When Working With Batteries



WARNING: Explosion or fire hazard.

1. Follow all instructions published by the battery manufacturer and the manufacturer of the equipment in which the battery is installed to reduce the risk of battery explosion.
2. Working in the vicinity of lead-acid batteries is dangerous. Batteries generate explosive gases during normal operation. Therefore, you must read this guide and follow the instructions exactly before installing or using your PROwatt™ SW International Sine Wave Inverter.
3. This equipment contains components which tend to produce arcs or sparks. To prevent fire or explosion, do not operate the PROwatt™ SW International Sine Wave Inverter in compartments containing batteries or flammable materials, or in locations that require ignition-protected equipment. This includes any space containing gasoline-powered machinery, fuel tanks, as well as joints, fittings, or other connections between components of the fuel system.
4. Make sure the area around the battery is well ventilated.
5. Never smoke or allow a spark or flame near the engine or batteries.
6. Use caution to reduce the risk of dropping a metal tool on the battery. It could spark or short circuit the battery or other electrical parts and could cause an explosion.
7. If you need to remove a battery, always remove the ground terminal from the battery first. Make sure all accessories are off so you don't cause a spark.



WARNING: Risk of personal injury due to burns or battery acid.

8. Remove all metal items, like rings, bracelets, and watches when working with lead-acid batteries. Lead-acid batteries produce a short circuit current high enough to weld metal to skin, causing a severe burn.
9. Have someone within range of your voice or close enough to come to your aid when you work near a lead-acid battery.
10. Have plenty of fresh water and soap nearby in case battery acid contacts skin, clothing, or eyes.
11. Wear complete eye protection and clothing protection. Avoid touching your eyes while working near batteries.
12. If battery acid contacts skin or clothing, wash immediately with soap and water. If acid enters your eye, immediately flood it with running cold water for at least twenty minutes and get medical attention immediately.

Contents

Important Safety Instructionsiii
Introduction	1
Features	3
Installation	6
Operation	15
Troubleshooting	20
Specifications	22
Warranty and Return Information	23

Introduction

Thank you for purchasing the PROwatt™ SW Sine Wave Inverter. The PROwatt SW is a high quality, true sine wave output inverter. It is designed to operate AC loads as if these loads were operating from grid/utility supplied power in household AC outlets.

To get the most out of your PROwatt™ SW International Sine Wave Inverter, carefully read and follow the instructions in this guide.

PROwatt SW Series

There are three PROwatt SW models in the series namely:

- PROwatt SW 700i,
- PROwatt SW 1400i, and
- PROwatt SW 2000i

This Guide contains information about all three models. Unless specified by the model name, all features, functions, and instructions will pertain to all models. All the models of the inverter will be referred to collectively as PROwatt SW.

Quality Power

The PROwatt SW is a professional-quality, mid-range inverter designed to handle a variety of applications including compact microwaves, TVs, VCRs, coffee makers, and small power tools.

- The PROwatt SW provides optimal continuous power, making it ideal for large single loads, intermittent loads, or multiple smaller loads.
- The inverter's high surge capability lets you handle many hard-to-start loads, including large TVs, refrigerators, and freezers.

Model	Continuous	Surge Power
PROwatt SW 700i	700 watts	1400 watts
PROwatt SW 1400i	1400 watts	2800 watts
PROwatt SW 2000i	2000 watts	4000 watts

- The unit's low standby battery demand means you don't have to worry about excessive drain on your battery if you leave the inverter on for a few days. When the inverter is on but no power is being supplied to a load, the inverter draws less than 600 mA from the battery.

Ease of Use

Superior features and rugged durability have been combined with extreme ease of use:

- The unit is compact, light weight, and easy to install.
- You can power loads directly from the AC receptacle
- Easy-to-read digital display on the front panel lets you monitor system performance at a glance.
- The optional remote ON/OFF switch lets you control the inverter from a convenient location—up to 7.6 m (25 feet) away—while the inverter itself is mounted out of sight and close to the batteries.

Comprehensive Protection

The PROwatt SW is equipped with numerous protection features to guarantee safe and trouble-free operation:

Low battery voltage alarm

Alerts you if the battery has become discharged to 11 V or lower.

Low battery voltage shutdown

Automatically shuts the inverter down if the battery voltage drops below 10.5 V. This feature protects the battery from being completely discharged. Within 30 seconds, the unit recovers automatically once the battery voltage reaches above 12 Vdc. After 30 seconds, the unit turns itself off.

High battery voltage shutdown

Shuts the inverter down automatically if the input voltage rises to more than 15.5 V. The unit recovers automatically once the battery voltage falls below 15.5 Vdc.

AC output overload alarm and shutdown

Alerts you as the inverter approaches the overload threshold. Shuts the unit down automatically if a short circuit occurs or if the loads attached to the inverter exceed the operating limits.

Over temperature alarm and shutdown

Alerts you if the unit is becoming too warm to operate. Turns the unit off if its temperature rises above an acceptable level. The unit recovers automatically once the internal temperature cools down.

Features

The following information describes the main features of the PROwatt SW. We recommend that you familiarize yourself with these features before installing and operating the unit.

Materials List

Your PROwatt SW package includes these items:

- PROwatt SW unit
- Owner's Guide

If any of these materials are missing or are unsatisfactory in any way, please contact Customer Service (see “Contact Information” on page i of this guide).

Optional Accessory

The PROwatt SW can also be installed with a remote ON/OFF switch that comes with a 25-foot (7.6 m) communications cable (part number 808-9001).

For ordering information, please contact Customer Service (see “Contact Information” on page i of this guide). Please reference the part number above when ordering.

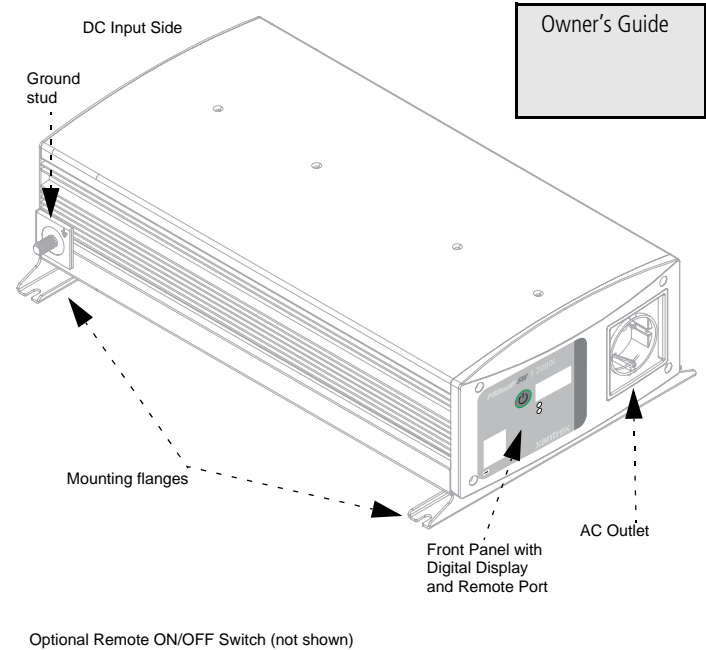


Figure 1 PROwatt SW (PROwatt SW 2000i shown)

Front Panel Details

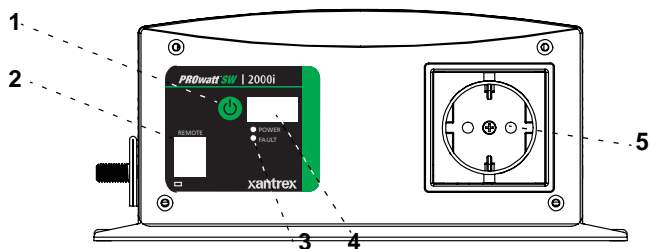


Figure 2 PROwatt SW 2000i shown^a

a. PROwatt SW 1400i front panel similar

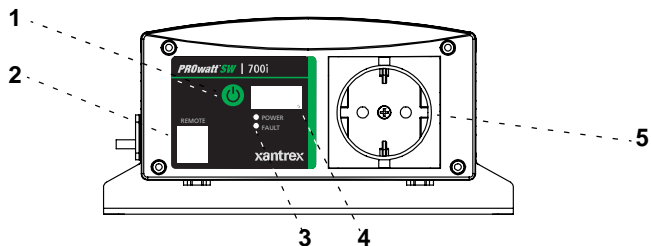


Figure 3 PROwatt SW 700i

Feature	Description
1	Power Switch Button Turns the inverter ON or OFF.
2	Remote Switch Port Use to connect the optional remote ON/OFF switch via a communications cable.
3	Indicator LEDs Green LED indicates that the unit is on. When a shutdown occurs due to an error condition the Green LED turns off. Red LED indicates an error or alarm condition.
4	Digital Display Shows input voltage (in volts), output power (in kilowatts), and error code information.
5	AC Outlet Equipped with one AC outlet.

Back Panel Details

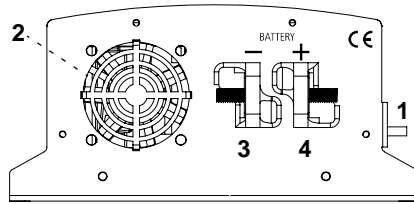


Figure 4 PROwatt SW 700i shown

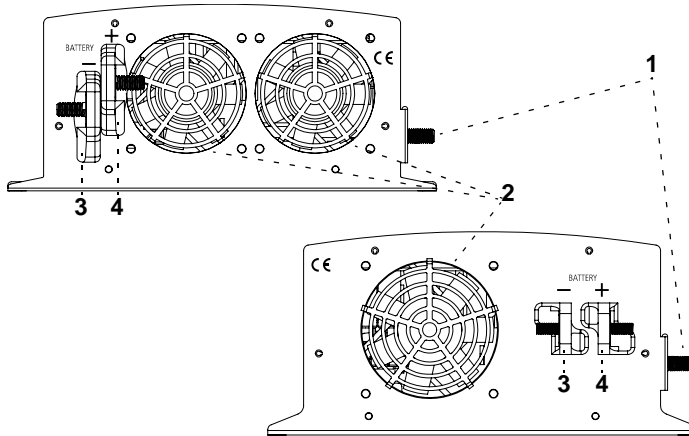


Figure 5 PROwatt SW 2000i (left), PROwatt SW 1400i (right)

Feature	Description
1	Chassis Ground (GND) Terminal
2	Cooling Fan/s Automatically turns on when internal temperature reaches more than 50 °C (122 °F). It turns off when the internal temperature falls below 50 °C (122 °F).
3	Negative (-) DC Terminal Accepts lug or ring connectors appropriate to the cable size being used. See Table 1 : Voltage Drop Per Foot of DC Cable on page 10 for recommendations.
4	Positive (+) DC Terminal Accepts lug or ring connectors appropriate to the cable size being used. See Table 1 : Voltage Drop Per Foot of DC Cable on page 10 for recommendations.

Installation

Guidelines

Follow all instructions from this guide and instructions including safety guidelines from the battery manufacturer. Installing battery cables require some electrical knowledge and local electrical codes.



WARNING

If you do not have some electrical knowledge and knowledge of local electrical codes or are not comfortable installing cables yourself, use a qualified installer including a licensed technician and electrician. Qualified installers have knowledge and experience in installing electrical equipment, knowledge of the applicable installation codes, and awareness of the hazards involved in performing electrical work and how to reduce those hazards.

Tools and Materials

- Adjustable wrench for fastening DC terminal bolts,
- Two battery cables (copper, appropriately sized according to application) with connectors already crimped by the company or store where you purchased the cables,
- Ground cable (copper, appropriately sized) for attaching to the ground chassis,
- DC-rated fuses (and fuse holders),
- Screwdriver (flathead and Philips), power screwdriver, or power drill for use in mounting the inverter,
- Mounting screws (4) size #10.

Basic Installation Steps

1. Determine battery capacity.
2. Determine a charging system.
3. Choose a location.
4. Mount the inverter.
5. Connect the chassis ground.
6. Connect the battery cables.

Determine Battery Capacity

Battery type and battery size strongly affect the performance of the PROwatt SW. Therefore, you need to identify the type of loads your inverter will be powering and how much you will be using them between charges. Once you know how much power you will be using, you can determine how much battery capacity you need. Xantrex recommends that you purchase as much battery capacity as possible.



CAUTION: Risk of inverter damage.

The PROwatt SW must only be connected to a battery that has a nominal output of 12 volts. The PROwatt SW will:

- **Not operate** if connected to a 6 volt battery and
- **Be damaged** if connected to a 24 volt battery.

Determine A Charging System

The charging system must be appropriate for your particular installation. A well-designed charging system will ensure that power is available when you need it and that your batteries remain in top condition. Inadequate charging will degrade system performance and the wrong type of charger will reduce battery life. For a list of Xantrex Battery Chargers, go to www.xantrex.com or contact Customer Service (see “Contact Information” on page i of this guide).

Choose A Location



CAUTION: Risk of inverter damage.

The PROwatt SW contains components that tend to produce arcs or sparks. To prevent fire or explosion, do not install the inverter in compartments containing batteries or flammable materials or in locations that require ignition-protected equipment.



WARNING: Risk of shock.

Do not install the PROwatt SW in a wet environment or in any other environment where moisture can occur and enter the inverter enclosure through the ventilation openings. This unit is not intended for marine applications.



WARNING

To reduce the risk of fire, do not cover or obstruct the ventilation openings. Do not install the PROwatt SW in a zero-clearance compartment. Overheating may result.

Dry	Do not allow water or other liquids to drop or splash on the inverter.
Cool	Ambient air temperature should be between 32 °F and 105 ° F (0 °C and 40 ° C)—the cooler the better within this range.
Ventilated	Allow at least 2 inches (5 cm) of clearance around the inverter for air flow. Ensure that ventilation openings on the DC end and the bottom of the unit are not obstructed.
Safe	Do not install the inverter in the same compartment as batteries or in any compartment capable of storing flammable liquids like gasoline.
Close to battery	Do not use excessive DC cable lengths: they increase wire resistance and reduce input power.
Protected from battery gases	Do not mount the inverter where it will be exposed to gases produced by the batteries. These gases are very corrosive and prolonged exposure will damage the inverter.

Mount The Inverter

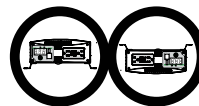
1. Select an appropriate mounting location and orientation. The unit can be oriented in any way, such as:

- Horizontally on a vertical surface or



DC connections should NOT point up or down.

- On or under a horizontal surface.



2. Hold the inverter against the mounting surface and mark the positions using the mounting flanges as guide.
3. Pilot-drill the four mounting holes.
4. Fasten the inverter to the mounting surface using corrosion-resistant hardware sized #10.

Connect the Chassis Ground



WARNING: Risk of electrical shock.

Never operate the PROwatt SW without connecting it to the ground. Electrical shock hazard could result.

All PROwatt SW models have a chassis ground screw terminal on the side. See “Back Panel Details” on page 5.

Follow the guidelines below to connect the inverter’s chassis to ground.

Grounding Locations

The chassis ground terminal must be connected to a grounding point. The grounding point varies depending on where you install the PROwatt SW. Follow the guidelines that correspond to your type of installation.

Recreational
Vehicle

Connect the chassis ground screw to the vehicle’s chassis using a minimum 8 AWG copper wire (preferably with green/yellow insulation).

Fixed Location

Connect the chassis ground screw to your system’s DC grounding point using 6 AWG wire^a. The system’s grounding point is usually the AC service entrance grounding point or a separate ground rod. For a solar PV (photovoltaic) installation, this is usually the same rod used to ground the PV array.

a. The grounding conductor (grounding wire) should be the same wire size as the DC cables.

Connect The Battery Cables

Important: Use of a qualified installer strongly recommended.

To operate safely and effectively, the PROwatt SW needs proper DC cables and DC-rated fuse(s). Because the PROwatt SW has low-voltage, high-current input, low-resistance wiring between the battery and the inverter is essential to deliver the maximum amount of usable energy to your load.

Cabling Guidelines

Follow these guidelines and refer to Table 1 : Voltage Drop Per Foot of DC Cable on page 10 to determine battery cable lengths.

- Use 4 AWG copper (90 °C insulation rating) as the smallest battery cable size. This will minimize the voltage drop between the battery and the inverter. If the cables cause an excessive voltage drop, the inverter may shut down when drawing higher currents because the voltage at the inverter input drops below 10.5 volts.
- Keep all cables as short as possible, and ensure that each cable between the inverter and the battery is no longer than 6 feet (1.8 m).
- Have all wires and cables terminated with correct and appropriately-sized connectors and have the connectors crimped at the place of purchase.
- Do not use aluminum. It has about 1/3 more resistance than copper cable of the same size, and it is difficult to make good, low-resistance connections to aluminum wire.

Table 1 : Voltage Drop Per Foot of DC Cable

	Inverter Output (W)	500	1000	1500	2000
	Current (A)	50	100	150	300
Wire Size (AWG)	Resistance (ohms/ft) @ 25 °C	Voltage Drop per Foot			
4	0.000253	0.0127	0.0253	0.0380	0.0759
3	0.000201	0.0101	0.0201	0.0302	0.0603
2	0.000159	0.0080	0.0159	0.0239	0.0477
1	0.000126	0.0063	0.0126	0.0189	0.0378
0	0.000100	0.0050	0.0100	0.0150	0.0300
2/0	0.000079	0.0040	0.0079	0.0119	0.0237
3/0	0.000063	0.0032	0.0063	0.0095	0.0189
4/0	0.000050	0.0025	0.0050	0.0075	0.0150

NOTE: Xantrex recommends a size 0 cable with a maximum cable length of 6 feet (1.8 m).

For example:

NOTE: Voltage Drop per foot = Current value × Resistance value
 So for a 1000 W inverter output with a DC cable of size 0, multiply the maximum current of 100 A with 0.000100. The result is 0.0100 voltage drop per feet. If the cable is 6 feet long, the total voltage drop is $0.0100 \times 6 = 0.0600$.

So for a battery operating at 12.6 V at battery terminal the voltage at the inverter terminal drops to 12.54 V.

Fuse/Circuit Breaker Sizing Guidelines

Because batteries can produce thousands of amps, you are required to install DC-rated fuses (or circuit breakers) that can safely withstand the short-circuit current batteries can produce.

To select the correct fuse type and size:

1. Determine the total cold cranking amp rating for your battery(s).

NOTE: The cold cranking amp rating of each battery is displayed on the battery case. If it is not, contact the battery manufacturer to find out.

For example:

- If you are using one battery to power your inverter and its rating is 500, the total cold cranking amp rating is 500.
 - If you are powering your inverter with two batteries in parallel, and each has a rating of 500, the total cold cranking amp rating is 1000.
2. Once you have determined the total cold cranking amp rating of your batteries, identify the corresponding Ampere Interrupting Capacity (AIC) of the fuse or breaker required for your system by referring to Table 2.

NOTE: The AIC is the amount of battery short-circuit amperage that the fuse can safely withstand.

- If the Total Cold Cranking Amps indicate that the AIC is 2,700 amps or less, choose an ANL 150 fuse.
- If the Total Cold Cranking Amps indicate that the AIC is up to 200,000 amps or if you require a “code fuse”, choose a Class T 150 A fuse.

Table 2 Cold Cranking Amps / AIC

Total Cold Cranking Amps	Ampere Interrupting Capacity (AIC)
650 or less	1500
651–1100	3000
over 1100	5000

Cabling Procedure

Consult the following configurations and determine a match specific to your installation and follow the installation procedure “To connect the battery cables:” that comes next.

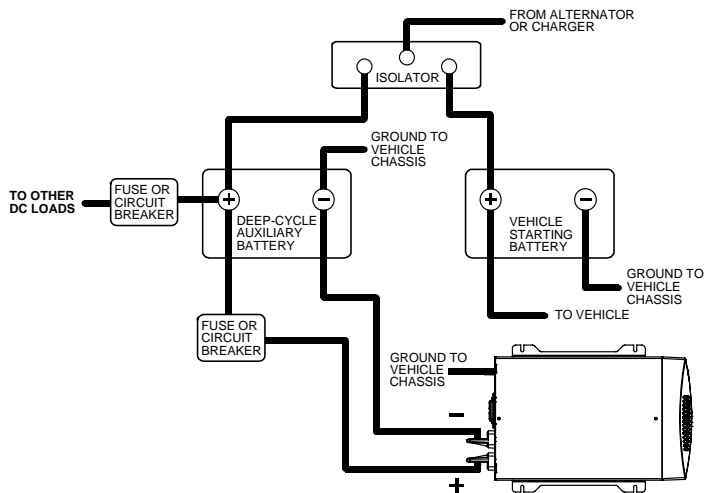


Figure 6 Configuration for Normal Loads

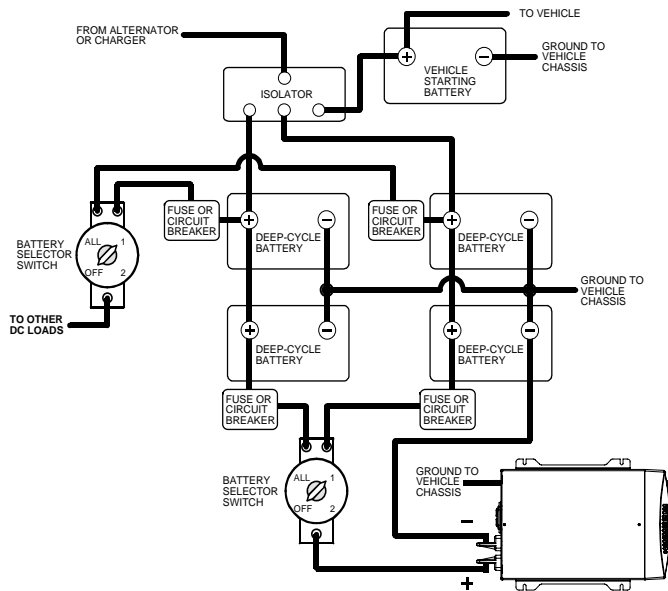


Figure 7 Configuration for Heavy Loads

To connect the battery cables:

1. Make sure the inverter is off and assemble the terminated cables (cables with connectors) that you bought.
2. Line up the connectors that will join the cables to the battery, battery selector switch, and fuse (or circuit breaker).

**WARNING: Risk of electrical shock or fire.**

The PROwatt SW does not come with a DC-rated fuse (or circuit breaker) to safely withstand the short-circuit current batteries can produce. To avoid the risk of electrical shock or fire, install a DC-rated fuse (and fuse holder) on the positive battery terminal.

3. Install a DC-rated fuse on the positive battery terminal.
Alternatively, install a DC-rated circuit breaker that connects to the positive battery terminal.
The fuse (or circuit breaker) must have an Ampere Interrupting Capacity (AIC) that exceeds the short-circuit current available from the battery. For guidance, see “Cold Cranking Amps / AIC” on page 11.
4. When configuring for heavy loads (see Figure 7), install a battery selector switch and connect it to the DC-rated fuse (or circuit breaker).
5. On the inverter side, attach the connectors of the positive and negative cables into the cabling terminals of the inverter.
NOTE: Make a secure connection. Loose connectors cause excessive voltage drop and may cause overheated wires and melted insulation.
NOTE: The red terminal is positive (+) and the black terminal is negative (-). Power connections to the PROwatt SW must be positive to positive and negative to negative.

**CAUTION: Risk of inverter damage due to reverse polarity.**

A reverse polarity connection (positive to negative) will blow a fuse in the inverter and may permanently damage the unit. Damage caused by a reverse polarity connection is not covered by your warranty.

6. Attach the connector on the positive cable to the DC-rated fuse (or circuit breaker) which is connected to the positive terminal of the battery.
When configuring for heavy loads (see Figure 7), attach the connector on the positive cable to the battery selector switch that is already connected to the DC-rated fuse (or circuit breaker).
NOTE: Make a secure connection. Loose connectors cause excessive voltage drop and may cause overheated wires and melted insulation.

**WARNING: Risk of explosion or fire.**

Do not complete the next step if flammable fumes are present. Explosion or fire may result. Thoroughly ventilate the battery compartment before making this connection.

Installation

7. Attach the connector on the negative cable to the negative battery terminal.

NOTE: This is the last cable connection. You may observe a spark when making this last connection.

NOTE: Make a secure connection. Loose connectors cause excessive voltage drop and may cause overheated wires and melted insulation.

8. If you have installed a battery selector switch, use it to select one of the batteries or battery banks.
9. Turn on the inverter.
10. Check the front panel of the inverter. The digital display should show 12–13 volts, depending on the voltage of the battery. If it does not, check your battery and the connection to the inverter. The other indicators should be off.

Operation

Turning the Inverter On and Off

The power switch on the inverter's front panel turns the control circuit in the PROwatt SW on and off.

To toggle the inverter on and off from its front panel:

1. Press and hold (for one second) the inverter's power switch button to turn the inverter On or Off.
2. You may release the button shortly after hearing a quick beep.

NOTE: When the inverter is on, the Green Indicator LED lights up and the Digital Display shows power and voltage information.



WARNING: Risk of electrical shock.

The unit's power switch when turned off does not disconnect power from the PROwatt SW.

Operating Several Loads at Once

If you are going to operate several loads from the PROwatt SW, turn them on separately after you have turned the inverter on.

This will ensure that the inverter does not have to deliver the starting current for all the loads at once.

Turning the Inverter Off Between Charges

When the power switch is on but no power is being supplied to a load, the inverter draws less than 1000 mA from the battery. This is a low current draw. It would take about four days to discharge a 100 Ah battery at this current, so you don't have to worry about excessive drain on your battery if you leave the inverter switched on for one to two days.

If you are not planning to recharge your battery within three to four days, switch the inverter off.

NOTE: When the inverter's power switch button is Off, the inverter draws less than 10 mA current from the battery. It would take a year to discharge a 100 Ah battery at this current.

Reading the Front Panel Indicators

Indicator LEDs

- If the Green LED is On, it indicates that the unit is On and the AC outlet has power.
- If the Red LED is On, it indicates that the AC outlet has no power due to an error condition and an error code is displayed on the digital display underneath the LED.
- If the Red LED is blinking, it indicates that the unit is still On but with a warning condition and an error code is displayed on the digital display.

Digital Display

- Under normal operating conditions, the digital display shows the input voltage (in volts) and the output power (in kilowatts).
- Under an error condition, the digital display shows an error code and the Red LED turns on.
- Under a warning condition, the digital display shows an error code and the Red LED blinks.

Description of LED and Digital Display Codes

LED	Digital Display	Description
Green	13.5	Example: 13.5 volts
Green	1.43 0.25	Example: 1.43 Kw (1,430 watts) Example: 0.25 Kw (250 watts)
Green	AL1	Alarm is set to Enabled
Green	AL0	Alarm is set to Disabled
Red	E01	Under voltage shutdown
Red	E02	Over voltage shutdown
Red	E03	Over load shutdown
Red	E04	Over temperature shutdown
Blinking Red	E05	Under voltage alarm warning
Blinking Red	E06	AC Out over load warning
Blinking Red	E07	Over temperature warning

Restarting After an AC Output Shutdown

1. Press and hold the unit's power switch button to turn it Off.
2. Remove all AC loads or let the unit cool down for 15 minutes.
3. Press and hold the unit's power switch button to turn it On.

Changing the Audio Alarm Setting

1. Press and hold the power switch button for five seconds.
NOTE: You will hear a beep after holding the button for about one second. Keep holding the button for five seconds more to change the alarm setting.
2. Observe the message on the digital display.
 If you see $AL\ 1$ being displayed, this indicates that the audio alarm is enabled even during warning conditions. If you see $AL\ 0$ being displayed, this indicates that the audio alarm is disabled.
NOTE: Factory setting is $AL\ 1$.
3. Release the button to which setting you want.
NOTE: Holding the power switch button continuously for more than five seconds at a time will cycle the alarm setting to $AL\ 1$ then to $AL\ 0$ and so on until the button is released.

Operating Limits

Power Output

The PROwatt SW will deliver the following power continuously, depending on input voltage and ambient temperature. The inverter will deliver more than 10% of its continuous power rating for approximately five minutes.

Model	Power ^a	Current ^b	Voltage	Temp.
PROwatt SW 700i	700 W	3 A	12.5 Vdc	Ambient 25 °C (77 °F)
PROwatt SW 1400i	1400 W	6 A		
PROwatt SW 2000i	2000 W	8.7 A		

a. Applies to resistive loads such as incandescent lights.

b. Applies to reactive loads such as motors.

Input Voltage

The input voltage limits are shown in the following table.

Operating Condition	Voltage Range	Comment
Normal	10.5–15.5 V	None.
Peak Performance	12–13 V	None.
Low Voltage Alarm	Voltage is 11.0 V or less	The audible low battery alarm sounds.
Low Voltage Shutdown	Voltage is 10.5 V or less	The unit shuts down to protect the battery from being over-discharged.
High Voltage Shutdown	Voltage is 15.5 V or more	The unit shuts down to protect itself from excessive input voltage. NOTE: Although the PROwatt SW incorporates over-voltage protection, it can still be damaged if input voltage exceeds 16 V.
Unit startup voltage or Unit restarts after low voltage shutdown	12.0 V	The unit will not restart unless the battery voltage is acceptable for running the load.

Inverter Loads

The PROwatt SW will operate many AC loads within its power rating. However, some appliances and equipment may be difficult to operate. Please see “Exceptional Loads” below carefully.

Exceptional Loads

Some induction motors used in freezers, pumps, and other motor-operated equipment need high surge currents to start. The PROwatt SW may not be able to start some of these motors even though their rated current draw is within the inverter’s limits.

If a motor refuses to start, observe the VOLTS indicator while you are trying to start the motor. If the indicator drops below 11 volts while the PROwatt SW is trying to start the motor, this may explain why the motor won’t start. Make sure the length and diameter of the battery cables are appropriate. Check that the battery connections are good and that the battery is fully charged. If the cables are sized correctly, the connections are good, and the battery is charged, but the voltage still drops below 11 volts, you may need to use a larger battery.

Battery Charging Frequency

When possible, recharge your batteries when they are about 50% discharged or earlier. This gives them a much longer life cycle than recharging when they are almost completely discharged. For information about battery chargers, see our web site at www.xantrex.com.

Routine Maintenance

Minimal maintenance is required to keep your PROwatt SW operating properly. Periodically you should:

- Clean the exterior of the unit with a damp cloth to prevent the accumulation of dust and dirt.
- Tighten the screws on the DC input terminals.

Troubleshooting



WARNING: Electrical shock and burn hazard.

Do not dismantle the PROwatt SW. It does not contain any user-serviceable parts. Attempting to service the unit yourself could result in an electrical shock or burn.

Troubleshooting Reference

Problem	Possible Cause	Solution
E 0 1	Under Voltage (low input) shutdown	Recharge the battery. Check cables and connection if secure.
E 0 1 with persistent low battery alarm.	Poor DC wiring and/or poor battery condition.	Use proper cable and make secure connections. Charge the battery or install a new battery.
E 0 2	Over Voltage (high input) shutdown	Make sure the inverter is connected to a 12 V battery.

Problem	Possible Cause	Solution
E 0 3	Overload shutdown	Reduce the load within the inverter's continuous power rating.
E 0 4 Heavy load is connected then AC output becomes unavailable.	Over temperature shutdown	Allow the inverter to cool off and reduce the load if continuous operation is required.
E 0 4 Normal load is connected then AC output becomes unavailable.	Over temperature shutdown	Improve ventilation and make sure the inverter's ventilation openings are not obstructed. Reduce the ambient temperature, if possible.

Problem	Possible Cause	Solution
E 05	Under Voltage alarm	Check battery status and recharge if necessary. Check for proper DC cable sizing. Check for loose connections and tighten if necessary.
E 06	AC Out overload warning	Reduce the loads connected to the AC outlet of the unit.
E 07	Over temperature warning	Reduce the loads connected to the AC outlet of the unit. Check that the ventilation holes are not blocked. Check for ambient temperature and move the unit to a cooler location whenever possible.

Problem	Possible Cause	Solution
No output voltage; no voltage indication.	The unit is off. No power to the inverter. Inverter fuse open. Reverse DC polarity.	Turn the inverter on. Check wiring to the inverter. Have a qualified service technician check and replace the fuse if necessary. Have a qualified service technician check and replace the fuse, making sure to observe correct polarity.

Specifications

NOTE: Specifications are subject to change without prior notice.

Physical and Environmental Specifications

Length × Width × Height	
• PROwatt SW 700i	12.2 × 7.3 × 3.5 in. (31 × 18.5 × 9 cm)
• PROwatt SW 1400i	14.5 × 9.5 × 4.5 in. (36.9 × 24 × 11.5 cm)
• PROwatt SW 2000i	16.5 × 9.5 × 4.5 in. (41.8 × 24 × 11.5 cm)
Weight	
• PROwatt SW 700i	5.9 lb (2.7 kg)
• PROwatt SW 1400i	10.2 lb (4.64 kg)
• PROwatt SW 2000i	12.05 lb (5.46 kg)
Operating temperature	32–104 °F (0–40 °C)

DC Input	700i	1400i	2000i
Input power (max. at full load)	840 W	1700 W	2400 W
Input current (max. at full load)	75 A	155 A	220 A
Input voltage range	10.5–15.5 Vdc		
Low battery alarm	Audible, 11 V		
Low battery cutout	10.5 V		
Startup or low battery recovery	12.0 V		

AC Output	700i	1400i	2000i
Continuous power	700 W	1400 W	2000 W
Surge power	1400 W	2800 W	4000 W
Output voltage (nominal)	230 Vac RMS ±10%		
Output voltage range	230 Vac ±10%		
Output waveform	True sine wave		
Output frequency	50 Hz ±0.5Hz		
Efficiency	Approximately 85–90%		
No load current draw	< 1000 mA		

Regulatory Approvals

CE Marking to the following Directives:

Low Voltage Directive 2006/95/EC	EN 50178:1997
EMC Directive 2004/108/EC	EN 61000-6-1:2007 EN 61000-6-3:2007

Warranty and Return Information

Warranty

What does this warranty cover and how long does it last? This Limited Warranty is provided by Xantrex Technology Inc. ("Xantrex") and covers defects in workmanship and materials in your PROwatt™ SW International Sine Wave Inverter. This warranty period lasts for 24 months from the date of purchase at the point of sale to you, the original end user customer, unless otherwise agreed in writing (the "Warranty Period"). You will be required to demonstrate proof of purchase to make warranty claims.

This Limited Warranty is transferable to subsequent owners but only for the unexpired portion of the Warranty Period. Subsequent owners also require original proof of purchase as described in "What proof of purchase is required?"

What will Xantrex do? During the Warranty Period Xantrex will, at its option, repair the product (if economically feasible) or replace the defective product free of charge, provided that you notify Xantrex of the product defect within the Warranty Period, and provided that Xantrex through inspection establishes the existence of such a defect and that it is covered by this Limited Warranty.

Xantrex will, at its option, use new and/or reconditioned parts in performing warranty repair and building replacement products. Xantrex reserves the right to use parts or products of original or improved design in the repair or replacement. If Xantrex repairs or replaces a product, its warranty continues for the remaining portion of the original Warranty Period or 90 days from the date of the

return shipment to the customer, whichever is greater. All replaced products and all parts removed from repaired products become the property of Xantrex.

Xantrex covers both parts and labor necessary to repair the product, and return shipment to the customer via a Xantrex-selected non-expedited surface freight within the contiguous United States and Canada. Alaska, Hawaii and outside of the United States and Canada are excluded. Contact Xantrex Customer Service for details on freight policy for return shipments from excluded areas.

How do you get service? If your product requires troubleshooting or warranty service, contact your merchant. If you are unable to contact your merchant, or the merchant is unable to provide service, contact Xantrex directly at:

Telephone: 1 800 670 0707 (toll free North America)
1 408 987 6030 (direct)
+34 93 470 5330 (Europe)

Fax: 1 800 994 7828 (toll free North America)
+34 93 473 6093 (Europe)

Email: customerservice@xantrex.com

Website: www.xantrex.com

Warranty and Return Information

Direct returns may be performed according to the Xantrex Return Material Authorization Policy described in your product manual. For some products, Xantrex maintains a network of regional Authorized Service Centers. Call Xantrex or check our website to see if your product can be repaired at one of these facilities.

What proof of purchase is required? In any warranty claim, dated proof of purchase must accompany the product and the product must not have been disassembled or modified without prior written authorization by Xantrex.

Proof of purchase may be in any one of the following forms:

- The dated purchase receipt from the original purchase of the product at point of sale to the end user; or
- The dated dealer invoice or purchase receipt showing original equipment manufacturer (OEM) status; or
- The dated invoice or purchase receipt showing the product exchanged under warranty.

What does this warranty not cover? Claims are limited to repair and replacement, or if in Xantrex's discretion that is not possible, reimbursement up to the purchase price paid for the product. Xantrex will be liable to you only for direct damages suffered by you and only up to a maximum amount equal to the purchase price of the product.

This Limited Warranty does not warrant uninterrupted or error-free operation of the product or cover normal wear and tear of the product or costs related to the removal, installation, or troubleshooting of the customer's electrical systems. This warranty does not apply to and Xantrex will not be responsible for any defect in or damage to:

- a) the product if it has been misused, neglected, improperly

installed, physically damaged or altered, either internally or externally, or damaged from improper use or use in an unsuitable environment;

- b) the product if it has been subjected to fire, water, generalized corrosion, biological infestations, or input voltage that creates operating conditions beyond the maximum or minimum limits listed in the Xantrex product specifications including but not limited to high input voltage from generators and lightning strikes;
- c) the product if repairs have been done to it other than by Xantrex or its authorized service centers (hereafter "ASCs");
- d) the product if it is used as a component part of a product expressly warranted by another manufacturer;
- e) component parts or monitoring systems supplied by you or purchased by Xantrex at your direction for incorporation into the product;
- f) the product if its original identification (trade-mark, serial number) markings have been defaced, altered, or removed;
- g) the product if it is located outside of the country where it was purchased; and
- h) any consequential losses that are attributable to the product losing power whether by product malfunction, installation error or misuse.

Disclaimer

Product

THIS LIMITED WARRANTY IS THE SOLE AND EXCLUSIVE WARRANTY PROVIDED BY XANTREX IN CONNECTION WITH YOUR XANTREX PRODUCT AND IS, WHERE PERMITTED BY LAW, IN LIEU OF ALL OTHER WARRANTIES, CONDITIONS, GUARANTEES, REPRESENTATIONS, OBLIGATIONS AND LIABILITIES, EXPRESS OR IMPLIED, STATUTORY OR OTHERWISE IN CONNECTION WITH THE PRODUCT, HOWEVER ARISING (WHETHER BY CONTRACT, TORT, NEGLIGENCE, PRINCIPLES OF MANUFACTURER'S LIABILITY, OPERATION OF LAW, CONDUCT, STATEMENT OR OTHERWISE), INCLUDING WITHOUT RESTRICTION ANY IMPLIED WARRANTY OR CONDITION OF QUALITY, MERCHANTABILITY OR FITNESS FOR A PARTICULAR PURPOSE. ANY IMPLIED WARRANTY OF MERCHANTABILITY OR FITNESS FOR A PARTICULAR PURPOSE TO THE EXTENT REQUIRED UNDER APPLICABLE LAW TO APPLY TO THE PRODUCT SHALL BE LIMITED IN DURATION TO THE PERIOD STIPULATED UNDER THIS LIMITED WARRANTY.

IN NO EVENT WILL XANTREX BE LIABLE FOR: (A) ANY SPECIAL, INDIRECT, INCIDENTAL OR CONSEQUENTIAL DAMAGES, INCLUDING LOST PROFITS, LOST REVENUES, FAILURE TO REALIZE EXPECTED SAVINGS, OR OTHER COMMERCIAL OR ECONOMIC LOSSES OF ANY KIND, EVEN IF XANTREX HAS BEEN ADVISED, OR HAD REASON TO KNOW, OF THE POSSIBILITY OF SUCH DAMAGE; (B) ANY LIABILITY ARISING IN TORT, WHETHER OR NOT ARISING OUT OF XANTREX'S NEGLIGENCE, AND ALL LOSSES OR DAMAGES TO ANY PROPERTY OR FOR ANY PERSONAL INJURY OR ECONOMIC LOSS OR DAMAGE CAUSED BY THE CONNECTION OF A PRODUCT TO ANY OTHER DEVICE OR SYSTEM; AND (C) ANY DAMAGE OR INJURY ARISING FROM OR AS A RESULT OF MISUSE OR ABUSE, OR THE INCORRECT INSTALLATION, INTEGRATION OR OPERATION OF THE PRODUCT BY PERSONS NOT AUTHORIZED BY XANTREX.

IF YOU ARE A CONSUMER (RATHER THAN A PURCHASER OF THE PRODUCT IN THE COURSE OF A BUSINESS) AND PURCHASED THE PRODUCT IN A MEMBER STATE OF THE EUROPEAN UNION, THIS LIMITED WARRANTY SHALL BE SUBJECT TO YOUR STATUTORY RIGHTS AS A CONSUMER UNDER THE EUROPEAN UNION PRODUCT WARRANTY DIRECTIVE 1999/44/EC AND AS SUCH DIRECTIVE HAS BEEN IMPLEMENTED

IN THE EUROPEAN UNION MEMBER STATE WHERE YOU PURCHASED THE PRODUCT. FURTHER, WHILE THIS LIMITED WARRANTY GIVES YOU SPECIFIC LEGAL RIGHTS, YOU MAY HAVE OTHER RIGHTS WHICH MAY VARY FROM EU MEMBER STATE TO EU MEMBER STATE OR, IF YOU DID NOT PURCHASE THE PRODUCT IN AN EU MEMBER STATE, IN THE COUNTRY YOU PURCHASED THE PRODUCT WHICH MAY VARY FROM COUNTRY TO COUNTRY AND JURISDICTION TO JURISDICTION.

Return Material Authorization Policy

For those products that are not being repaired in the field and are being returned to Xantrex, before returning a product directly to Xantrex you must obtain a Return Material Authorization (RMA) number and the correct factory "Ship To" address. Products must also be shipped prepaid. Product shipments will be refused and returned at your expense if they are unauthorized, returned without an RMA number clearly marked on the outside of the shipping box, if they are shipped collect, or if they are shipped to the wrong location.

When you contact Xantrex to obtain service, please have your instruction manual ready for reference and be prepared to supply:

- The serial number of your product
- Information about the installation and use of the unit
- Information about the failure and/or reason for the return
- A copy of your dated proof of purchase

Record these details on page 27.

Return Procedure

Package the unit safely, preferably using the original box and packing materials. Please ensure that your product is shipped fully insured in the original packaging or equivalent. This warranty will not apply where the product is damaged due to improper packaging.

Include the following:

- The RMA number supplied by Xantrex Technology Inc. clearly marked on the outside of the box.
- A return address where the unit can be shipped. Post office boxes are not acceptable.
- A contact telephone number where you can be reached during work hours.
- A brief description of the problem.

Ship the unit prepaid to the address provided by your Xantrex customer service representative.

If you are returning a product from outside of the USA or

Canada In addition to the above, you **MUST** include return freight funds and are fully responsible for all documents, duties, tariffs, and deposits.

If you are returning a product to a Xantrex Authorized Service

Center (ASC) A Xantrex return material authorization (RMA) number is not required. However, you must contact the ASC prior to returning the product or presenting the unit to verify any return procedures that may apply to that particular facility and that the ASC repairs this particular Xantrex product.

Out of Warranty Service

If the warranty period for your product has expired, if the unit was damaged by misuse or incorrect installation, if other conditions of the warranty have not been met, or if no dated proof of purchase is available, your unit may be serviced or replaced for a flat fee.

To return your product for out of warranty service, contact Xantrex Customer Service for a Return Material Authorization (RMA) number and follow the other steps outlined in "Return Procedure" on page 26.

Payment options such as credit card or money order will be explained by the Customer Service Representative. In cases where the minimum flat fee does not apply, as with incomplete units or units with excessive damage, an additional fee will be charged. If applicable, you will be contacted by Customer Service once your unit has been received.

Information About Your System

As soon as you open your PROwatt™ SW International Sine Wave Inverter package, record the following information and be sure to keep your proof of purchase.

- Serial Number _____
- Product Number 806-1206-01
 806-1210-01
 806-1220-01
- Purchased From _____
- Purchase Date _____

If you need to contact Customer Service, please record the following details before calling. This information will help our representatives give you better service.

- Type of installation (e.g. _____
RV, truck)
- Length of time inverter _____
has been installed
- Battery/battery bank size _____

- Battery type (e.g. flooded, _____
sealed gel cell, AGM)
- DC wiring size and length _____
- Alarm sounding? _____
- Description of indicators _____
on front panel
- Appliances operating _____
when problem occurred
- Description of problem _____

Xantrex Technology Inc.

1 800 670 0707 Tel toll free NA

1 408 987 6030 Tel direct

+34 93 470 5330 (Europe)

1 800 994 7828 Fax toll free NA

+34 93 473 6093 (Europe)

customerservice@xantrex.com

www.xantrex.com