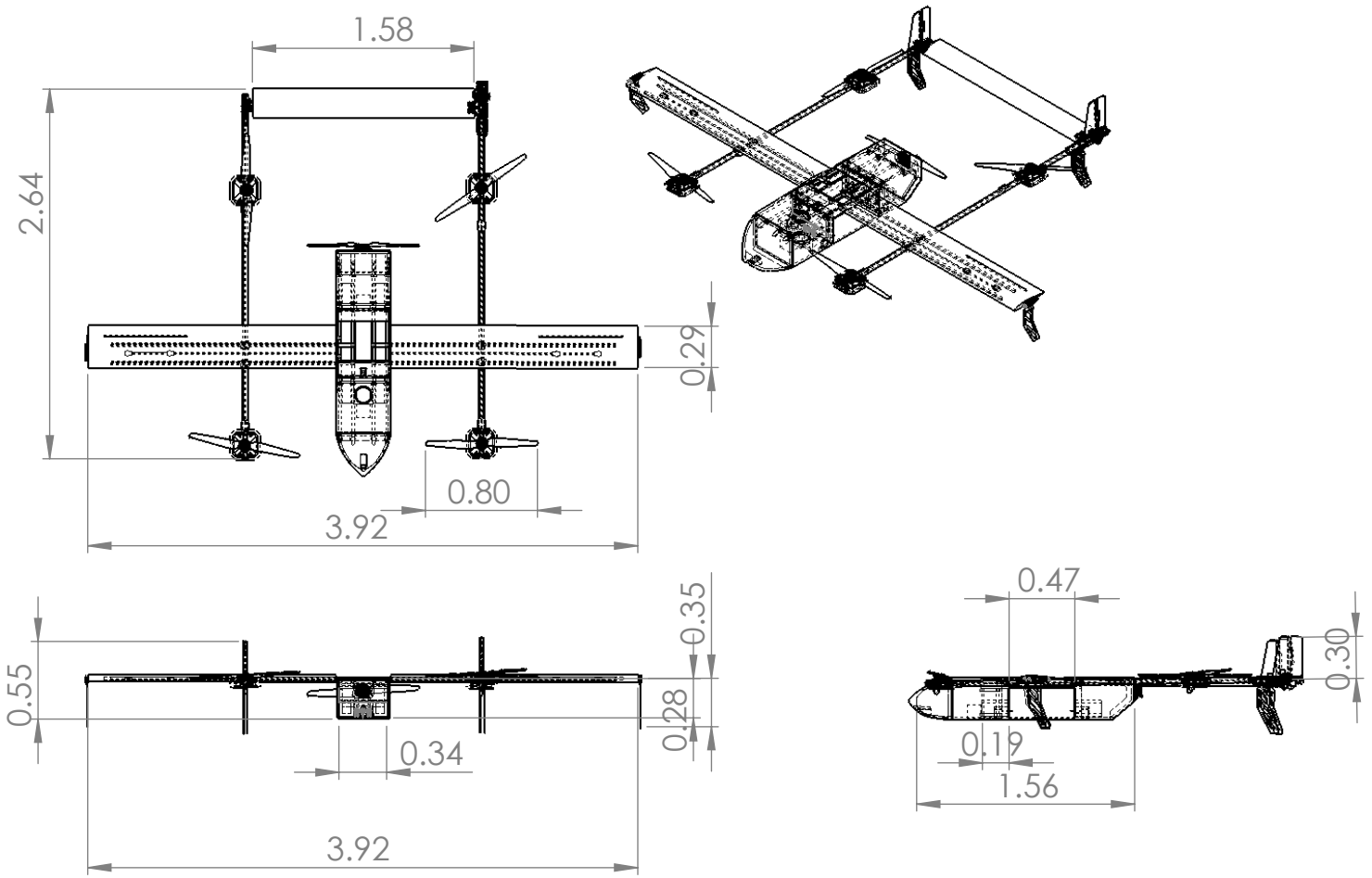


B

B



1

A

A

UNLESS OTHERWISE SPECIFIED:		NAME	DATE
DIMENSIONS ARE IN METERS	DRAWN		
TOLERANCES:	CHECKED		
FRACTIONAL ±	ENG APPR.		
ANGULAR: MACH ± BEND ±	MFG APPR.		
TWO PLACE DECIMAL ±	Q.A.		
THREE PLACE DECIMAL ±	COMMENTS:		
INTERPRET GEOMETRIC TOLERANCING PER:			
DO NOT SCALE DRAWING			

Schulich UAV		
TITLE:		
3 View		
SIZE	DWG. NO.	REV
<b>A</b>	<b>ACDC 1</b>	
SCALE: 1:50		SHEET 1 OF 1

**SOLIDWORKS Student Edition.  
For Academic Use Only.**

2

1