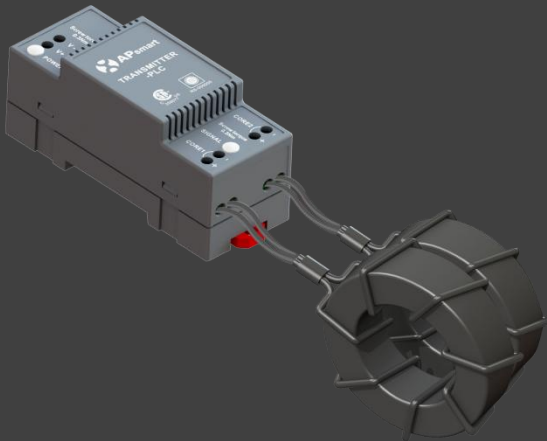


Raising the bar in innovative  
DC MLPE solar power systems



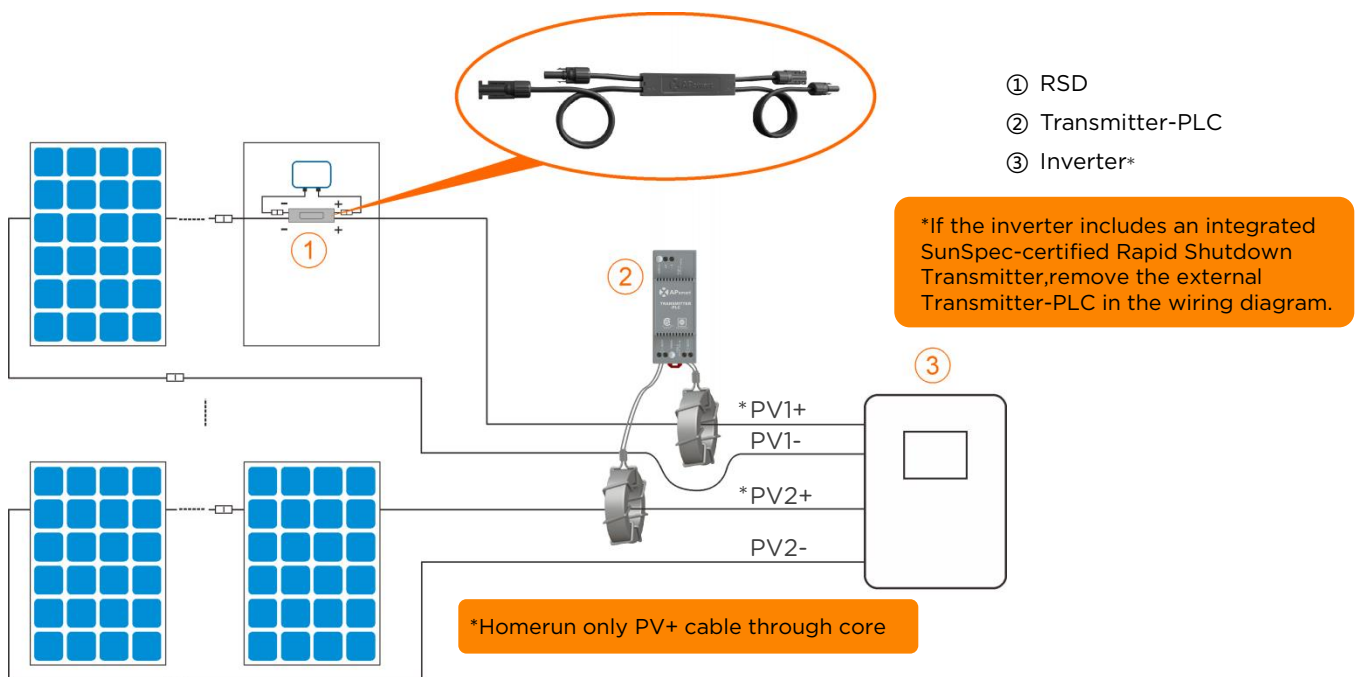
## TRANSMITTER-PLC

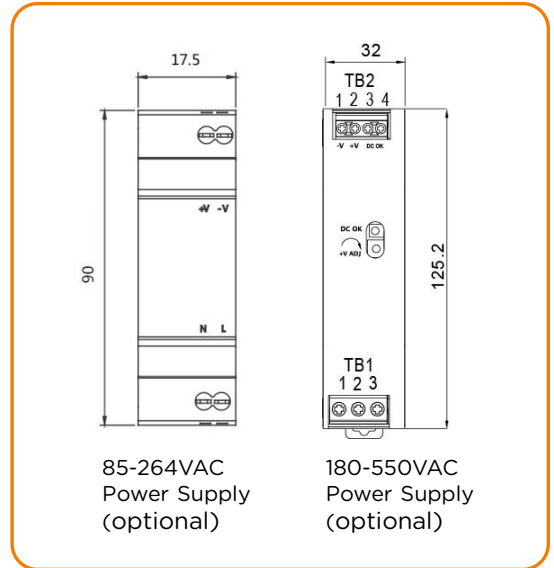
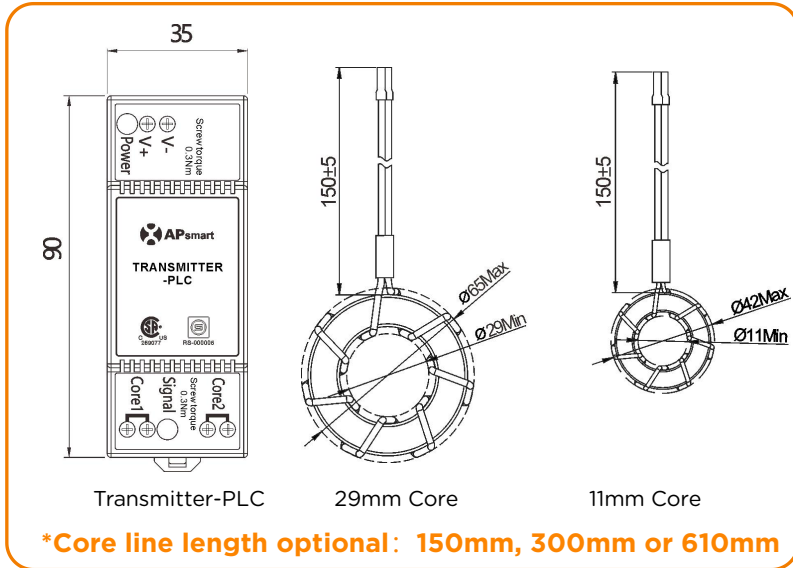
- Meets NEC 2017, 2020&2023 (690.12) requirements
- Switching off Transmitter-PLC results in rapid shutdown of the output of PV modules
- Meets SunSpec requirements
- Equipped with single/dual core
- Optional 85-264VAC power supply
- Optional 180-550VAC power supply

The APsmart Rapid Shutdown System Transmitter-PLC is part of a rapid shutdown solution when paired with APsmart RSD, a PV module rapid shutdown unit. While powered on, the Transmitter-PLC sends a signal to the RSD units to keep their PV modules connected and supplying energy.

RSD units automatically enter rapid shutdown mode when the Transmitter-PLC is switched off and resume energy production when power is restored to the Transmitter-PLC. This solution complies with NEC 690.12 specifications for 2017, 2020&2023 and supports the SunSpec signaling for rapid shutdown.

The Transmitter-PLC includes one or two cores and an optional power supply: 85-264VAC for residential, 180-550VAC for commercial.





### Main electrical data

Input Voltage	12VDC
Input Current	0.8A
Communication	PLC

### Power Supply

Residential (optional)	85-264VAC Input, 12VDC Output, 90 mm x 17.5 mm x 58.4 mm
Commercial (optional)	180-550VAC Input, 12VDC Output, 125.2 mm x 32 mm x 102 mm

### Core data

	29mm Core	11mm Core
Max. Current	320A (160A*2)	150A (75A*2)
Max. System Voltage	1500VDC	
Internal Opening for Wires/Outside Dimensions	-29mm/65mm	-11mm/42mm
Max. Supported PV Modules per String	30 modules	

### Number Of Strings Per Core

DC Cable Diameter(without connector)	Φ 5.9mm	Φ 6.35mm	Φ 7mm	Φ 8.6mm
29mm Core	≤15	≤15	≤14	≤10
11mm Core	≤6	≤5	≤4	≤2

### Environmental

Temperature	-40°C ~ +100°C
-------------	----------------

### Structure data

Dimensions (W x H x D)	90 mm x 35 mm x 40 mm
Enclosure Environmental Rating	IP30

### Features & Compliance

Safety Compliance	NEC 2017, 2020&2023 (690.12); UL1741; CSA C22.2 No. 330-17
EMC Compliance	FCC Part15; ICES-003



## ORDERING INFORMATION

406000	29mm Dual Core Transmitter-PLC (no power supply), core line length 150mm
406001	29mm Single Core Transmitter-PLC (no power supply), core line length 150mm
406006	29mm Dual Core Transmitter-PLC (no power supply), core line length 610mm
406007	29mm Dual Core Transmitter-PLC (no power supply), core line length 300mm



8627 N Mopac Expy, Suite 150, Austin, TX 78759 | +1-737-218-8486 |  
+1-866-374-8538 | support@APsmartGlobal.com | APsmartGlobal.com