

## 10.1.- AIRCRAFT DISASSEMBLE

Just five pieces when the aircraft is disassemble:

**Wings** → 2 units

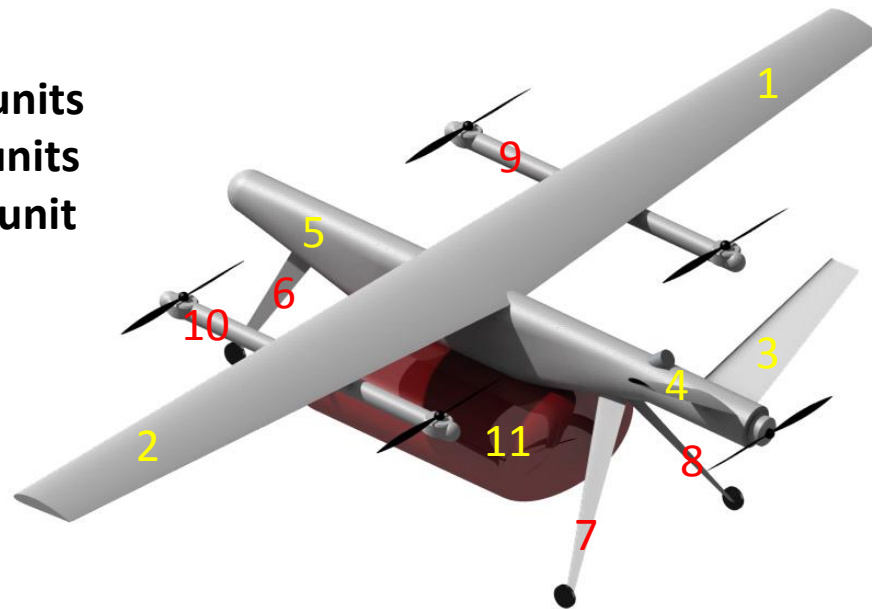
**Fuselage** → 1 unit

**V-tail** → 2 units

**landing gear** → 3 units

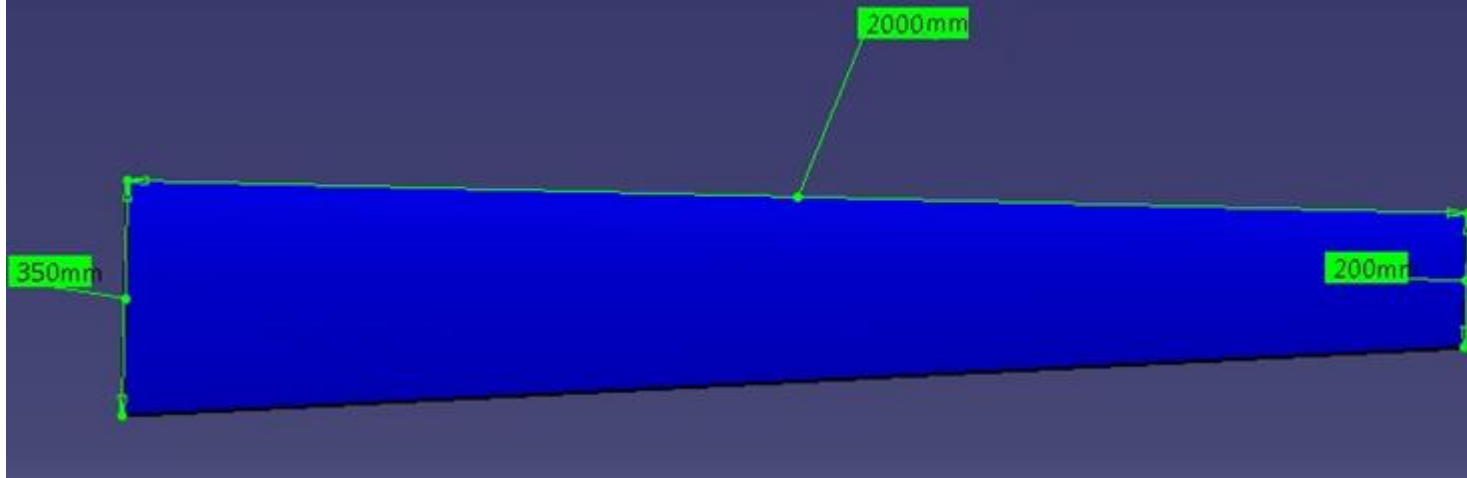
**Engine pods** → 2 units

**Payload** → POD 1 unit



## 10.2.- AIRCRAFT DISASSEMBLE - OVERALL DIMENSIONS

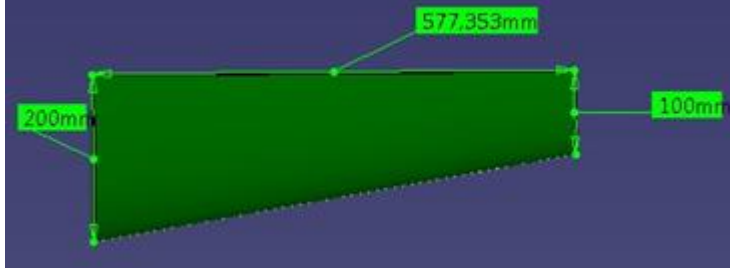
1 - 2



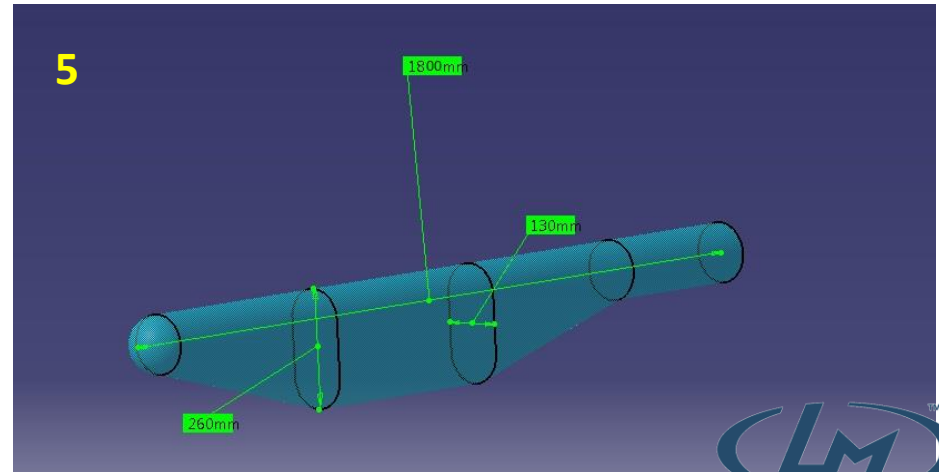
(\*) Dimensions in millimeters

**Fuselage Cross Section:**  
535x140mm

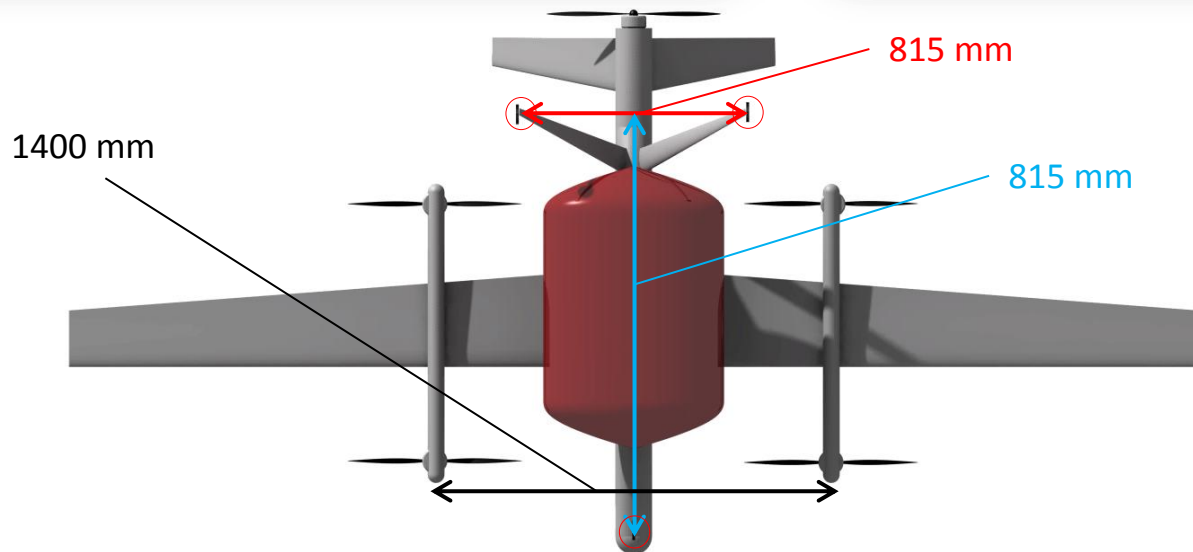
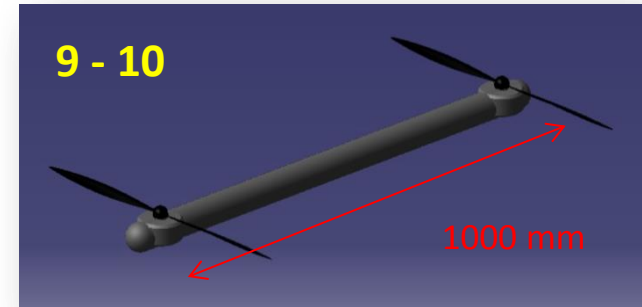
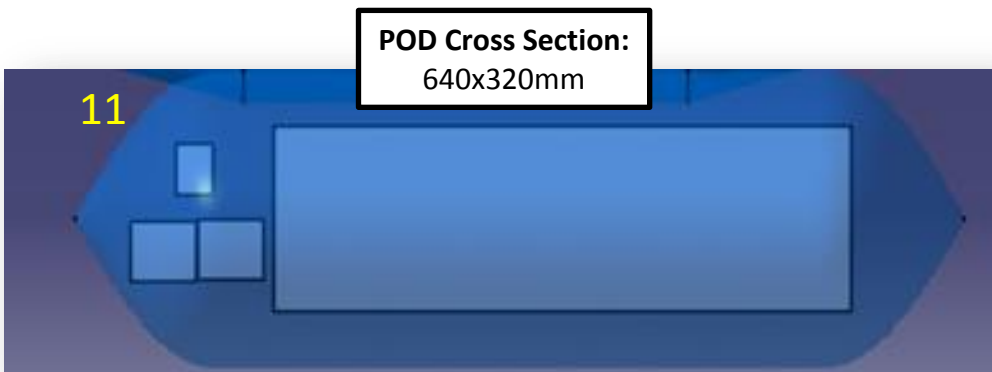
3 - 4



5



## 10.3.- AIRCRAFT DISASSEMBLE - OVERALL DIMENSIONS



## 10.4.- AIRCRAFT DISASSEMBLE - SHIPPING CONTAINER

