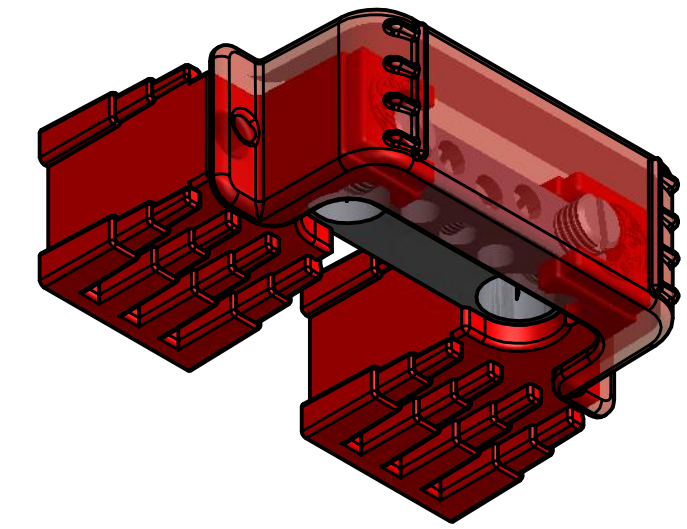
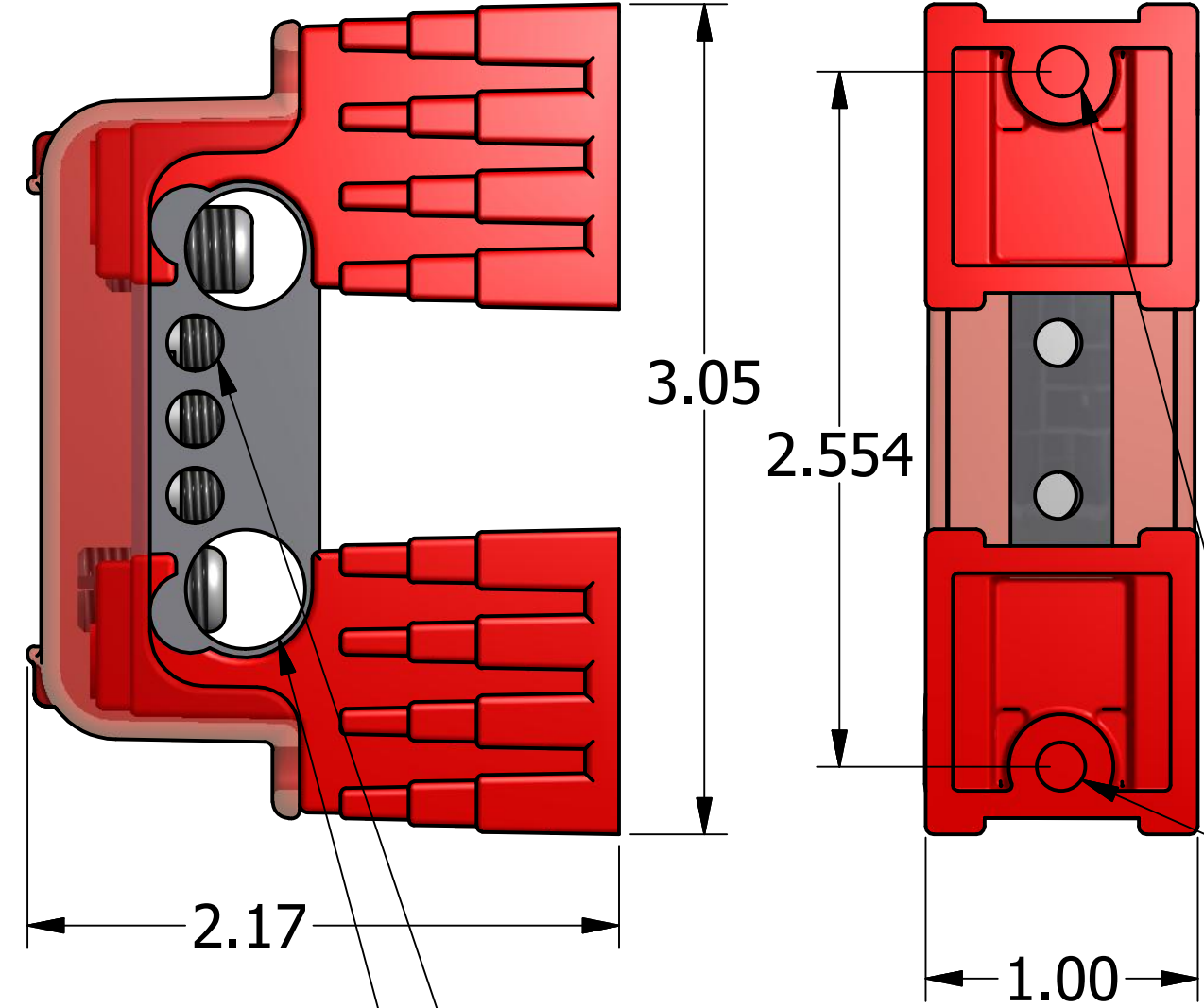
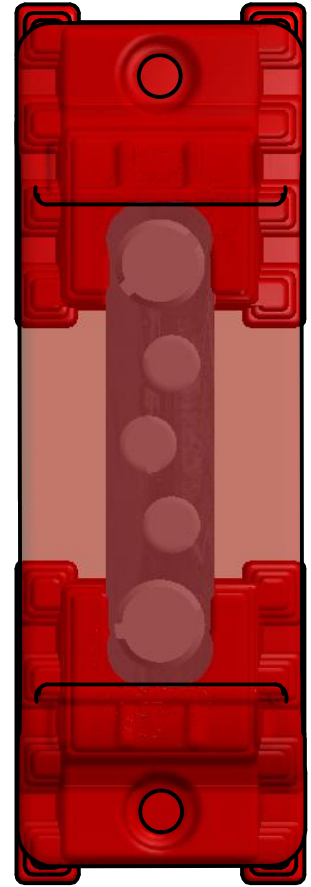


| REVISION HISTORY | | | |
|------------------|-----------------------|------|------|
| REV. | DESCRIPTION OF CHANGE | DATE | SIGN |
| | | | |



10-32 THREADED INSERT

14-6 AWG THREE PLACES

2/0 AWG TWO PLACES

INSULATED BUSBAR
 250 AMP / 600 VOLT
 NYLON BASE, ABS SNAP ON COVER
 UL & CSA 90C ALUMINUM & COPPER

| | | | |
|---|------------|----------------|-----------|
| ALL TOLERANCES, UNLESS OTHERWISE STATED: x.xxx=+/-0.005" x.xx=+/-0.01" x.x=+/-0.05" | | DRAWN Robin | 6/29/2014 |
| ALL ANGLES = +/- 1° UNLESS OTHERWISE STATED | | CHECKED | |
| MATERIAL: | STANDARDS: | QA | |
| FINISH: | | MFG | |
| PROCESS: | | APPROVED | |

| | | | |
|-------------------------------|------------------|--------------------|--------------|
| MIDNITE SOLAR, INC | | | |
| TITLE MidNite Solar | | | |
| SIZE B | PROJECT: MNXX | DWG NO MNTBB2-5 | REV |
| E-FILE:tbb 2-0 5 pos.iam | | | SHEET 1 OF 1 |