

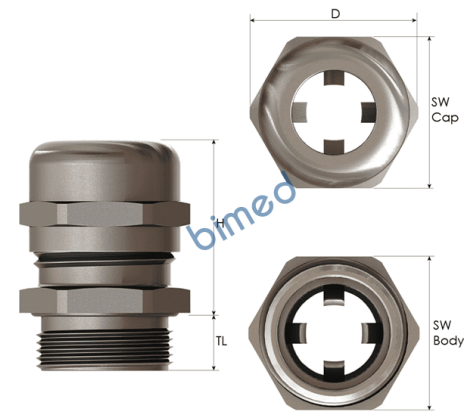
EMC cable glands with moving spring contact

**EMC 3 Cable Glands Brass**

M50x1,5 / 27,0-38,0mm / TL=9,0mm

**BMEM-E6**

- Specially designed EMC protective cable glands.
- Long-lasting contact by high definition contact spring.
- Moving spring contact offers reduced risk of sheath damage.
- Easy assembly: install cable gland - prepare cable sheath - insert cable - tighten cap.
- High quality strain relief and sealing, reliable performance for EMC applications.
- Up-to-date international approvals.



Images might not be representative of the actual colour, size or shape of the product listed



TYPE 4X



File Number	Standard
VDE_40039349	DIN EN 62444
E199260	UL514B, CSA22.2 No 18.3-12, CSA22.2 No 94.2-15 UL50E
TAE00003WY	EN62444
GOST	

Technical Details		
Material	Body , Cap	Brass Nickel plated
	Seal	CR ( Chloroprene )
	Clamping Insert	PA 6 (Polyamide 6)
	Contact Spring	Special Copper Alloy
	O-Ring	NBR
Ingress Protection Rating	IP 68 - 5 Bar, 30 min	
UL Environmental Rating	TYPE 4X acc. to UL 50E	
Flammability	V2 according to UL94	
Operating Temperature	<b>Permanent</b>	<b>Intermittent</b>
	-20 °C to +100 °C	-40 °C to +150 °C
Thread Type	Metric EN 60423 Other thread types also available upon request.	
Cable Type	Shielded	
Accessories	EMC Lock nuts	
	Dome plugs	
	Gaskets ( Washers )	
Remarks	In compliance with DIN EN 62444.	
	We recommend the use of lock nuts and gaskets to ensure IP rating for - rough surfaces or through holes.	
	Some approvals do not cover all sizes.	
	O-ring available in Metric and PG threads as a standard. For NPT - threads O-ring available upon request.	
	Accessories must be ordered separately.	
	Other lock nut types also available upon request.	
Outer	Thread Size (Male)	M50x1,5
	Thread Length (TL)	9,0 mm
	Ø (D)	64,0 mm
Clamping Range Outer Sheath Ø min - max		27,0 - 38,0 mm
Shield Diameter Ø min-max		25,0 - 32,0 mm
Spanner Width	Cap	58 mm
	Body	58 mm
max. Height (H)	56,0 mm	
Part Number	BMEM-E6	

