

# Technical Datasheet of Technigalva® (ZnNi0.5%) & Technigalva® Plus (ZnNi0.5%Bi0.15%)

## Uses

Pre-alloyed (lead free) Zinc-Nickel alloy suitable for hot dip galvanising of iron and steel products.

## Chemical specification

Chemical specification Guaranteed analysis	Technigalva®	Technigalva® Plus
Ni	0.50%±0.05%	0.50%±0.05%
Bi		±0.03%
Pb	≤ 0.010%	≤ 0.010%
Cd	≤ 0.003%	≤ 0.003%
Fe	≤ 0.005%	≤ 0.005%
Sn	≤ 0.005%	≤ 0.005%
Cu	≤ 0.001%	≤ 0.001%
Al	≤ 0.005%	≤ 0.005%
Zn.	balance	balance

## Physical data

Physical property	Unit	Value
Density solid	kg/dm <sup>3</sup>	7.14
liquid (@ 419°C)	kg/dm <sup>3</sup>	6.62
Melting point	°C	419
Superficial tension (@ 450°C)	N/m	0.78
Melting enthalpy	kJ/kg	100
Thermal capacity solid	J/kg K	460
liquid	J/kg K	628

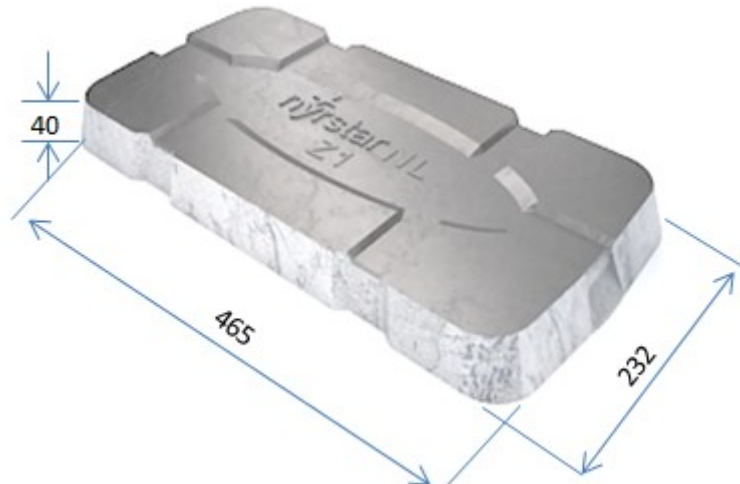
## Available shapes/package

Shape/package	Nominal weight (in kg)	Dimensions (in mm)
Slab	25	465 x 232 x 40
Slab Bundle (40 slabs per bundle) Colour marking: sky blue	1000 ± 100	930 x 460 x 440
Block Jumbo 1400 kg Colour marking: dark blue Nickel symbol	1400 ± 100	1532 x 567 x 307

# Technical Datasheet of Technigalva<sup>®</sup> (ZnNi0.5%) & Technigalva<sup>®</sup> Plus (ZnNi0.5%Bi0.15%)

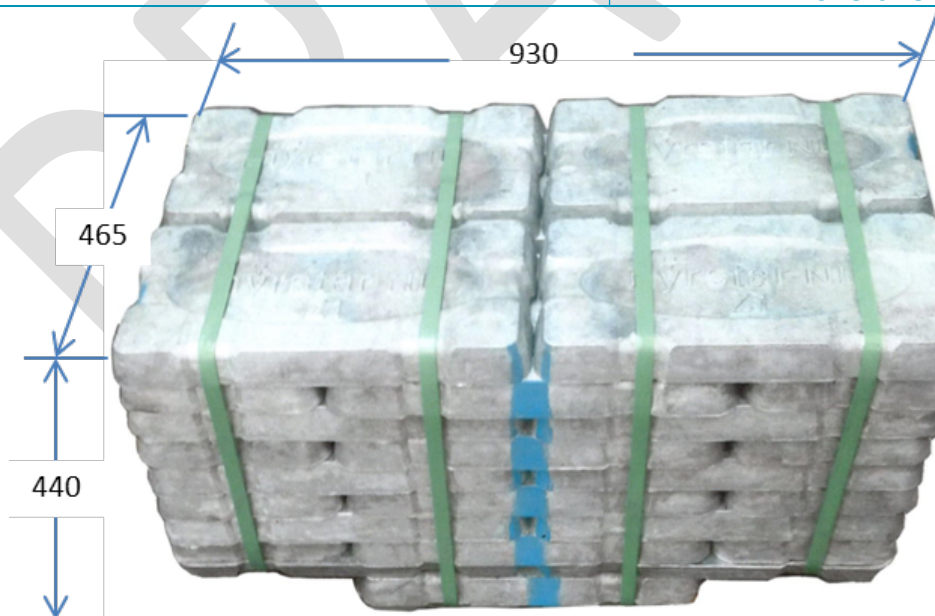
Nyrstar NL Z1 Slab (Ingot)

Nominal mass 25 kg  
Dimensions 465 x 232 x 40

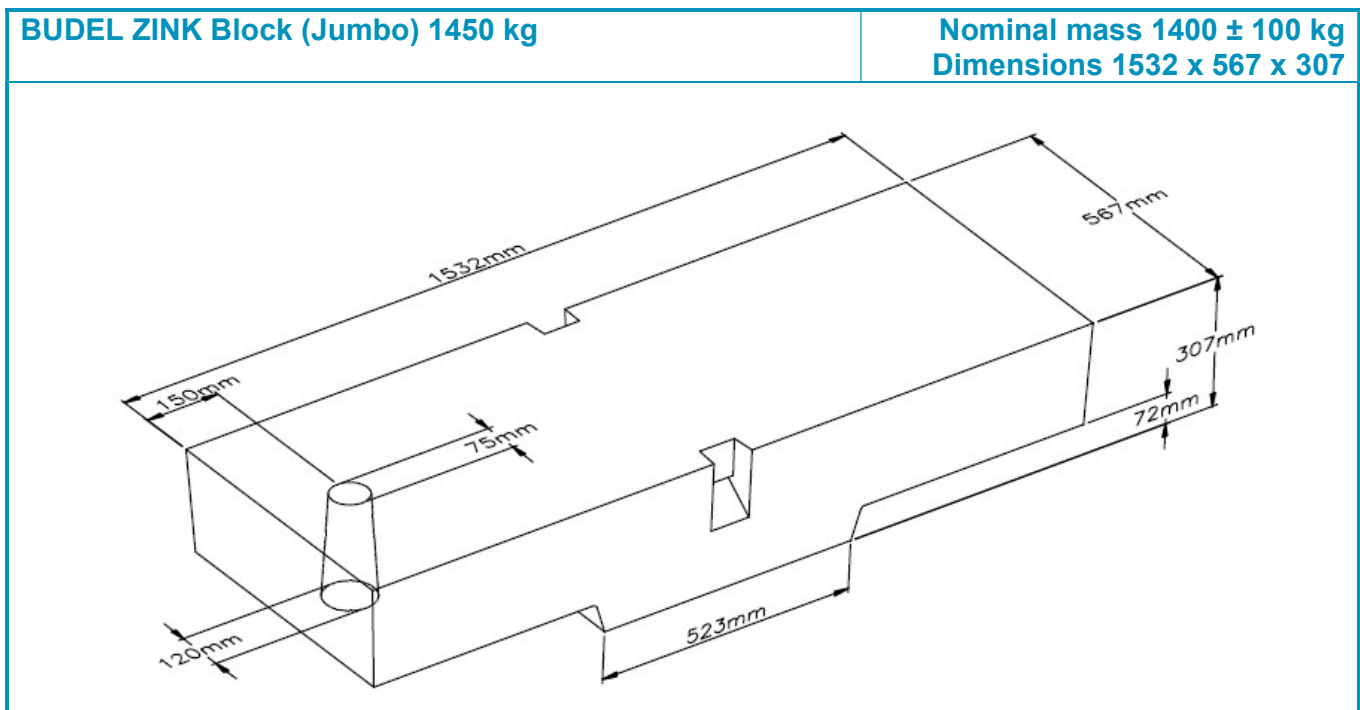


Nyrstar NL Z1 Slab bundle (40 slabs per bundle)

Nominal mass 1000 ± 100 kg  
Dimensions 930 x 465 x 440



# Technical Datasheet of Technigalva<sup>®</sup> (ZnNi0.5%) & Technigalva<sup>®</sup> Plus (ZnNi0.5%Bi0.15%)



DRAFT