

# AmpliPHI 3.8™ BATTERY



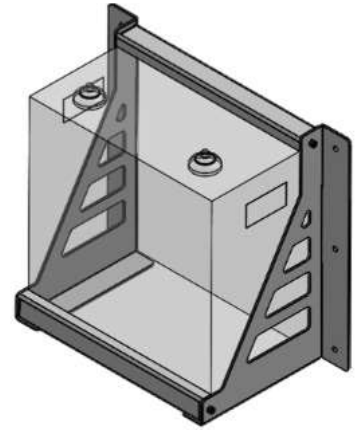
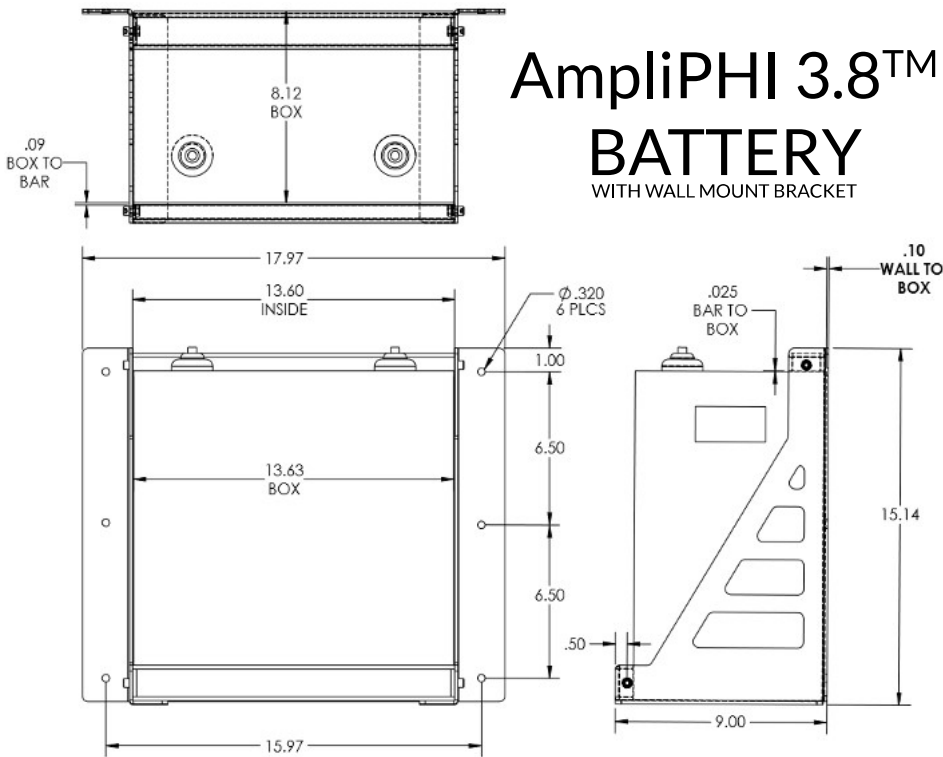
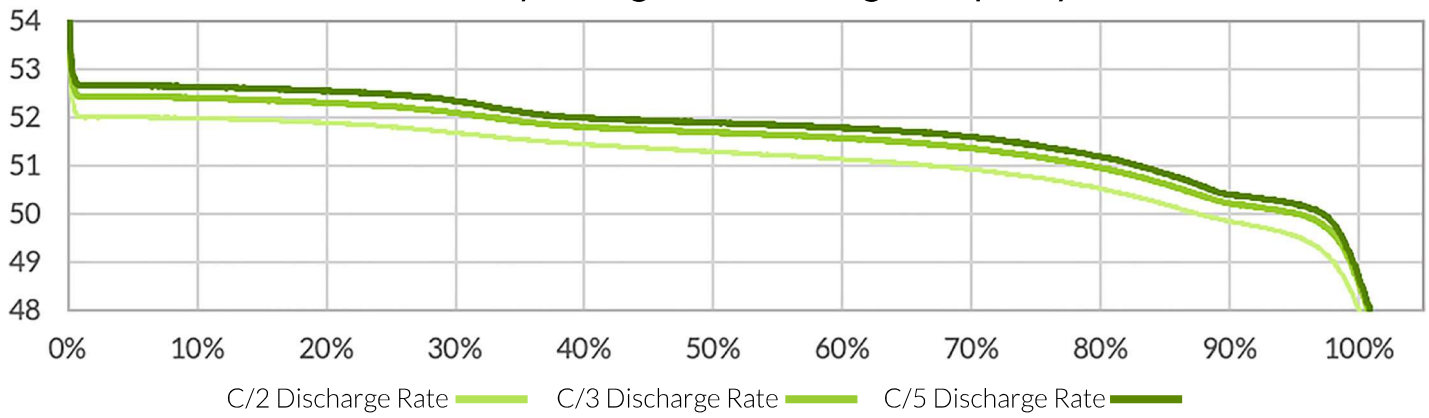
SimpliPhi Power's AmpliPHI 3.8™ Battery utilizes the safest Lithium Ion chemistry available, Lithium Ferro Phosphate (LFP). No cobalt or explosive hazards that put customers at risk. By eliminating cobalt, the risk of thermal runaway, fire propagation, operating temperature constraints, and toxic coolants are reduced. The AmpliPHI features a Battery Management System (BMS) with closed loop communications pre-configured for industry leading inverters that reports SOC and other critical real-time data, optimizing the value of storage and functionality within balance-of-system equipment. Combined with our proven overcurrent protection (OCPD) and accessible 100 Amp DC breaker On/Off switch, installation time is reduced and safety is increased during set-up for residential and commercial systems, on and off-grid. Designed to scale up to 75 batteries, the AmpliPHI integrates seamlessly with Sol-Ark and SMA, with other inverter brands being added soon.

AmpliPHI 3.8 kWh Module	AmpliPHI 48V
SKU	AmpliPHI-3.8-48
DC Voltages - Nominal	51.2 VDC
Amp-Hours	75 Ah
Rated kWh Capacity	3.8 kWh DC @ 100% DOD 3.04 kWh DC @ 80% DOD
Maximum Quantity Per System	75 (285kWh)
MAX Discharge Rate (10 minutes)	100 Amps DC (5.1 kW DC)
MAX Continuous Discharge Rate	37.5 Amps DC (1.9 kW DC)
MAX Continuous Charge Rate	37.5 Amps DC (1.9 kW DC)
DC Voltage Range <sup>1</sup>	48 VDC to 56 VDC
Depth of Discharge <sup>1</sup>	up to 100%
Charging Temperature <sup>1</sup>	32° to 120° F (0° to 49° C)
Operating Temperature <sup>1</sup>	-4° to 140° F (-20° to 60° C)
Storage Temperature	6 months: 14° to 77° F (-10° to 25° C) 3 months: -4° to 113° F (-20° to 45° C)
Self-Discharge Rate	< 1% per month
Cycle Life	10,000+ cycles (@ 80% DOD)
Memory Effect	None
Warranty	10 Years
Weight	86 lbs. (39.0 kg)
Dimensions (W x H x D)	13.5 x 14 x 8 in. (15.5" H w/terminals) / 0.88 ft <sup>3</sup> (34.3 x 35.6 x 20.3 cm / 0.025 m <sup>3</sup> )
Model Number	AmpliPHI3.8-48

1. Max operating ranges. Refer to Installation Manual for recommended conditions.  
 • All specifications listed are typical/nominal and subject to change without notice.  
 • UN 3480, Lithium ion batteries, 9, II  
 • UL, CE, UN/DOT and RoHS compliant components - UL 1642, UL 1973, UL 9540A Test Approved  
 • Designed and manufactured in California, USA



## 48V Battery Voltage VS. Discharged Capacity



Terminals	3/8 IN	10 MM
Battery Cables	6 AWG MINIMUM	

Refer to the Integration Guide section of SimpliPhi's [Product Documentation](#) web page for wiring instructions, inverter and/or charge controller specific settings. Must be followed to maintain PHI Warranty.

