

MIDNITE SOLAR INC.

BATTERY ENCLOSURES

MidNite Solar has the enclosures you need for your sealed AGM or Gel battery bank.

MidNite Solar offers indoor gray steel powder coated battery enclosures in a number of sizes. All include locking doors. The MNBE-D3R and 8D2x2 outdoor enclosures are aluminum for long life.



MNBE-A
29W x 14.5D x 28H
2 8D
Stack 2 cabinets vertical for 4 quantity 8 D's
4 Group 31 end to end
6 Group 32 side by side
Type 1
ETL Listed

MNBE-C (3 shelf)
34W x 15.25D x 55H
12 Golf Cart
12 Group 31
12 GVX3050 Concorde
2 shelf for 8 L16's
4 shelf for four 8D's
Type 1
ETL Listed



MNBE-8D2x2

Battery Enclosure with locking door and one shelf. This outdoor enclosure has powder coated aluminum and stainless steel construction. Holds four 8D batteries. It has spaces for up to 4 MNDC panel mount breakers (1 to 100A) and a 250A battery disconnect breaker. Deluxe version comes with 250A breaker and four 4/0 interconnect cables. The MNBE-8D2x2 series of enclosures are type 1 built to 3R (outdoor) specifications.



MNBE-8D2x2 Standard and Deluxe Models:
28 1/8W x 26 1/8D x 36H
Wt. - Standard 90 LB.
Wt. - Deluxe 91 LB.
Type 1

MNBE-C8D (4 shelf)

Battery Enclosure with locking door and four shelves. Holds four 8D batteries. Gray powder coated steel. Same dimensions as the MNBE-C. Type 1

MNBE-CL16 (2 shelf)

Battery Enclosure with locking door and two shelves. Holds eight sealed L-16 batteries. Gray powder coated steel. Same dimensions as the MNBE-C. Type 1

NOTE: The MNBE-C8D and MNBE-CL16 have the same dimensions with different shelf configurations.

MNBE-8D2x2 Deluxe

Same as the regular but also includes 250A battery breaker and 4/0 interconnecting cables. Type 1



MNBE-D
8 GVX3050 (2 shelf)
8 Golf Cart (2 shelf)
8 Group 31 (2 shelf)
12 Golf Cart (3 shelf)
12 Group 31 (3 shelf)

Size: 34W x 15.25D x 41.14H
Shown with 8 GVX3050. Will fit 8 sealed L16 batteries with 3" head room. Two shelves standard. Ships knocked down in two boxes. Type 1

MNSHELF

Extra shelf for MNBE-C and MNBE-D
Shelf size: 32L x 12.75W x 1D



BATTERY ENCLOSURE KEY

Battery Enclosure Key works with all MidNite Solar battery enclosures.

MNBE-D3R

Rain tight white powder coated aluminum battery enclosure with locking door and two shelves. This unit is vented. MNBE-D3R holds 8 PVX3050T or 8 golf cart or 8 group 31 batteries. The MNBE-D3R enclosure is type 1 built to 3R (outdoor) specifications.

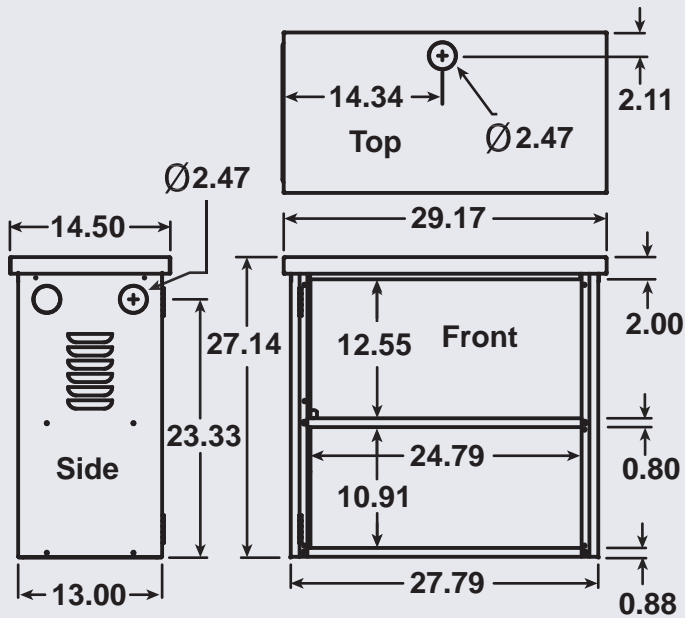
NOTE: The MNBE-D3R has the same dimensions as the MNBE-D.

www.midnitesolar.com

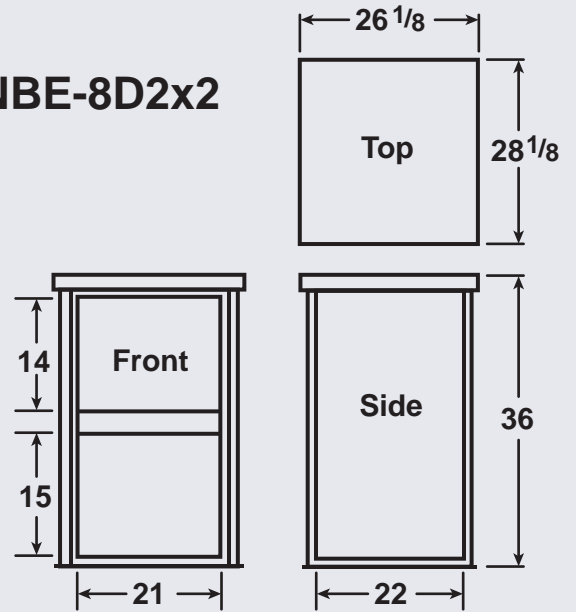
17722 67th Ave. NE., Arlington, WA. 360-403-7207 FAX: 360-691-6862

Battery Enclosures

MNBE-A

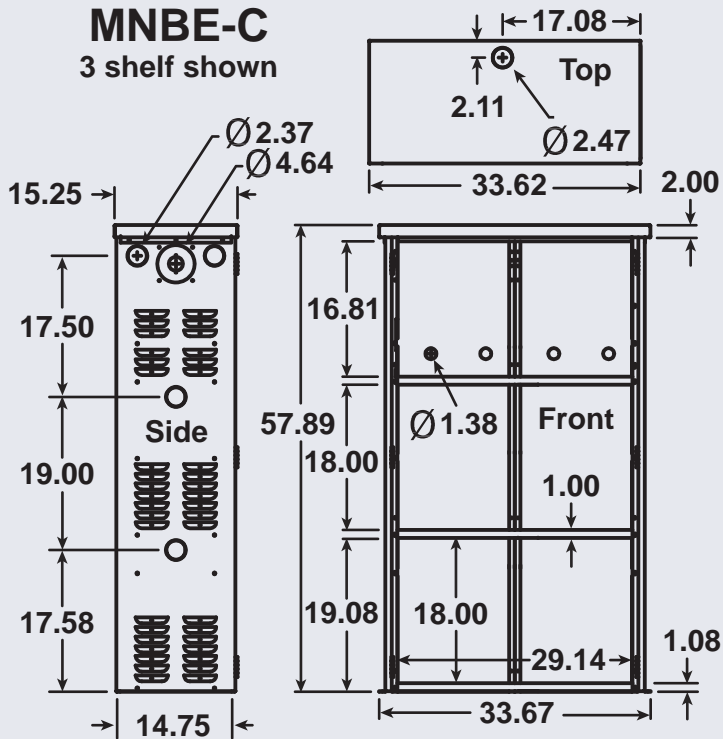


MNBE-8D2x2

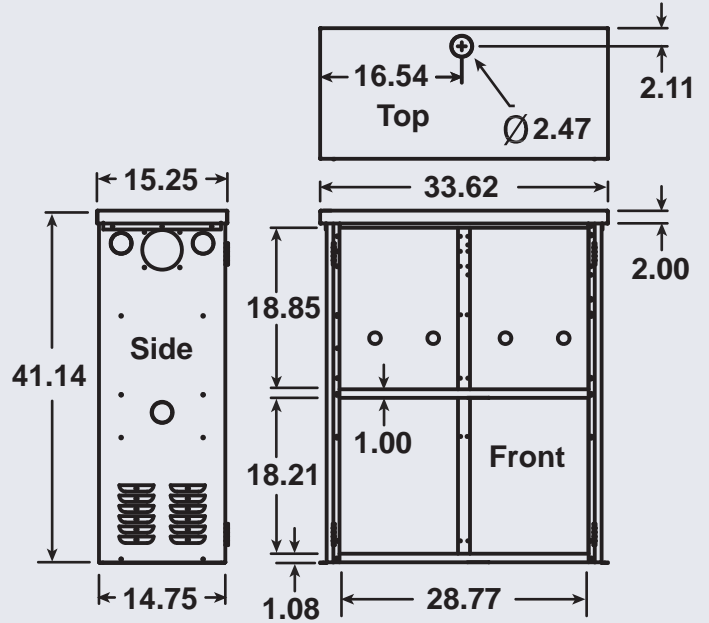


MNBE-C

3 shelf shown



MNBE-D 2 shelf shown



SHELF SIZES

MNBE-A, MNBE-C & MNBE-D

32"L x 12.75"W

MNBE-8D2X2

26"L x 22"W



ETL Listed for US & Canada

17722—67th Ave NE, Unit C, Arlington WA 98223

Ph 360.403.7207 Fax 360.691.6862

<http://www.midnitesolar.com>

