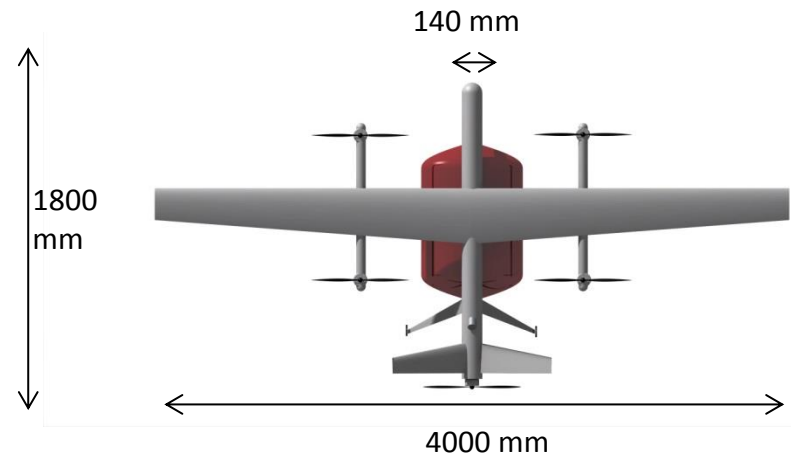
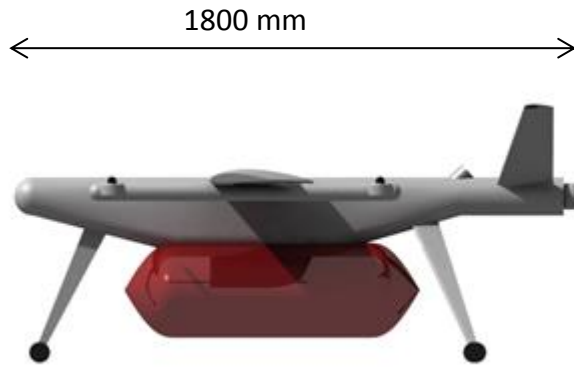
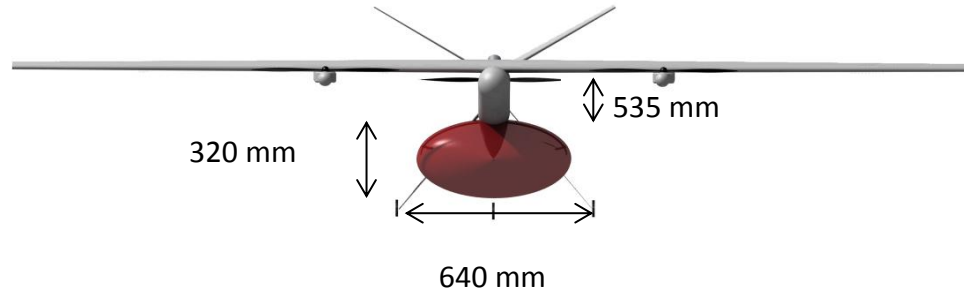


# 04.- AIRCRAFT CONCEPT – 3 VIEWS DIMENSIONS



**LOCAL MOTORS**