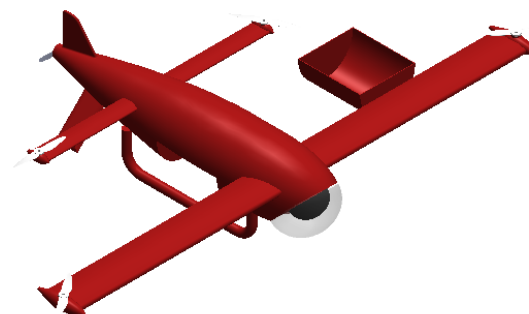
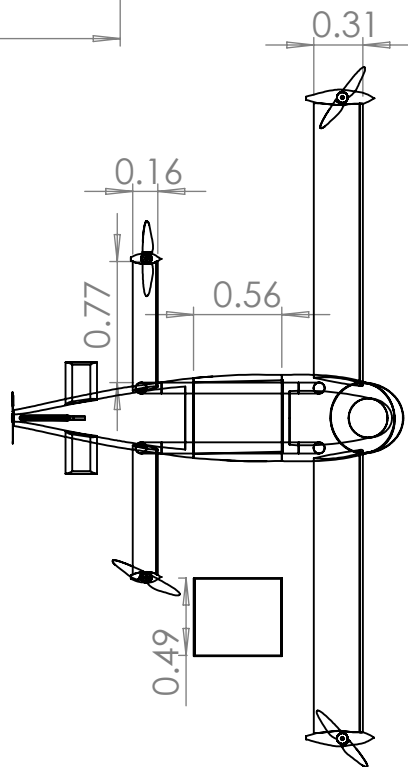
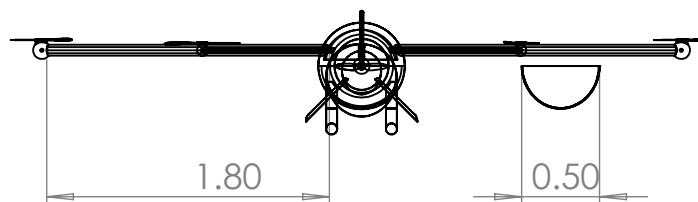
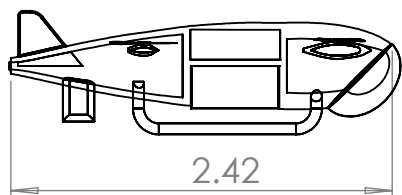


2

1



B

B

A

A

		UNLESS OTHERWISE SPECIFIED:		NAME	DATE	TITLE: Airbus Challenge										
		DIMENSIONS ARE IN METERS	DRAWN	Adrian G.				SIZE	DWG. NO.	REV						
		TOLERANCES: FRACTIONAL ±	CHECKED								A	Drone				
		ANGULAR: MACH ± BEND ±	ENG APPR.											SCALE: 1:48	WEIGHT:	SHEET 1 OF 1
		TWO PLACE DECIMAL ±	MFG APPR.													
		THREE PLACE DECIMAL ±	Q.A.													
		INTERPRET GEOMETRIC TOLERANCING PER:	COMMENTS:													
		MATERIAL	MULTI													
		FINISH														
		APPLICATION	DO NOT SCALE DRAWING													

PROPRIETARY AND CONFIDENTIAL
 THE INFORMATION CONTAINED IN THIS DRAWING IS THE SOLE PROPERTY OF SOLIDWORKS Student Edition. For Academic Use Only.
 REPRODUCTION IN PART OR AS A WHOLE WITHOUT THE WRITTEN PERMISSION OF SOLIDWORKS IS PROHIBITED.

2

1