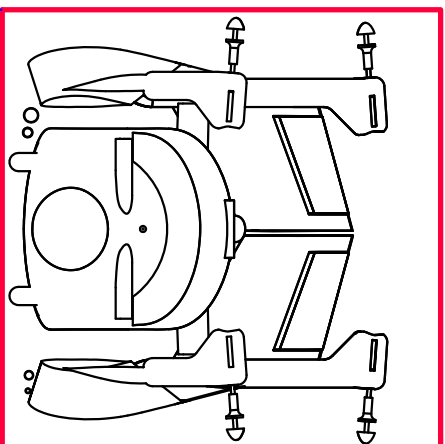
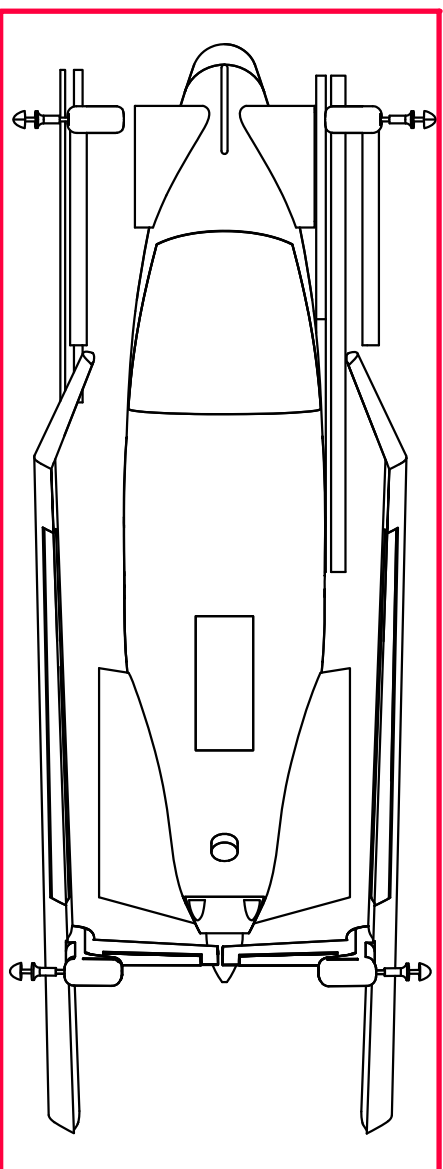
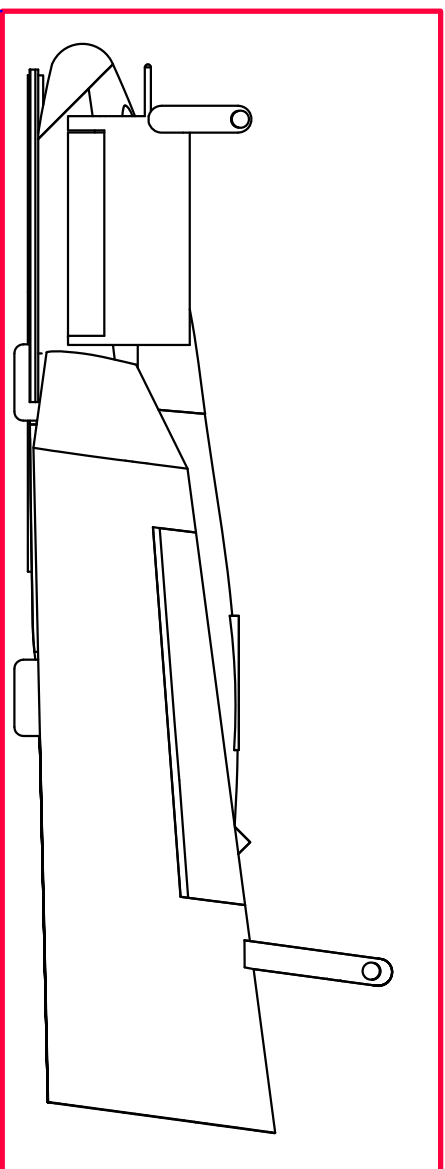


MediTrans

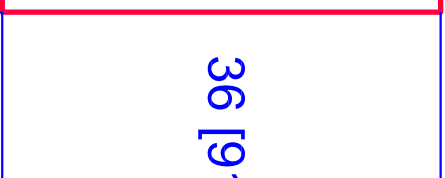
Break Down of Parts
for Shipping



36 [914.40]



96 [2438.40]



36 [914.40]