

Raising the bar in innovative DC MLPE solar power systems



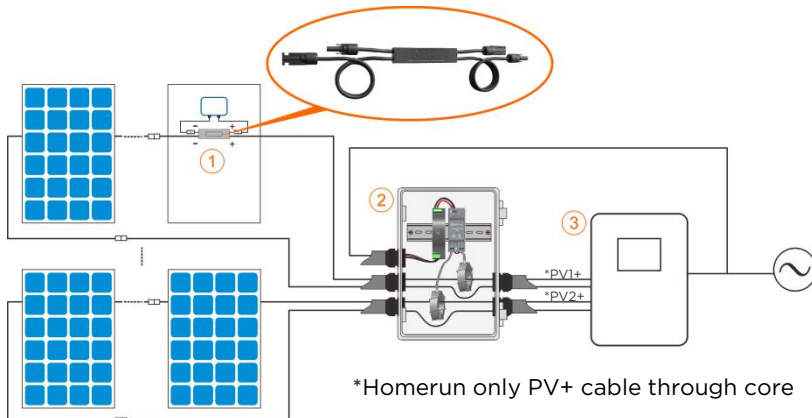
TRANSMITTER-PLC OUTDOOR KIT

- Meets NEC 2017, 2020&2023 (690.12) requirements
- Switching off Transmitter-PLC results in rapid shutdown of the output of PV modules
- Meets SunSpec requirements
- Equipped with single/dual core
- Optional 85-264VAC power supply
- Optional 180-550VAC power supply

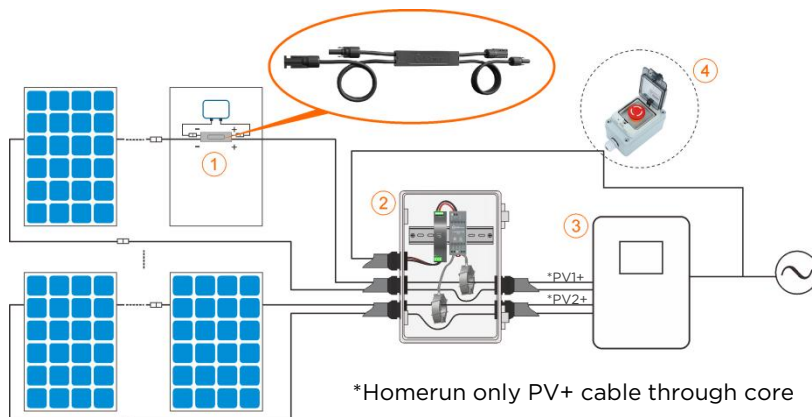
The APsmart Rapid Shutdown System Transmitter-PLC is part of a rapid shutdown solution when paired with APsmart RSD, a PV module rapid shutdown unit. While powered on, the Transmitter-PLC sends a signal to the RSD units to keep their PV modules connected and supplying energy.

RSD units automatically enter rapid shutdown mode when the Transmitter-PLC is switched off and resume energy production when power is restored to the Transmitter-PLC. This solution complies with NEC 690.12 specifications for 2017, 2020&2023 and supports the SunSpec signaling for rapid shutdown.

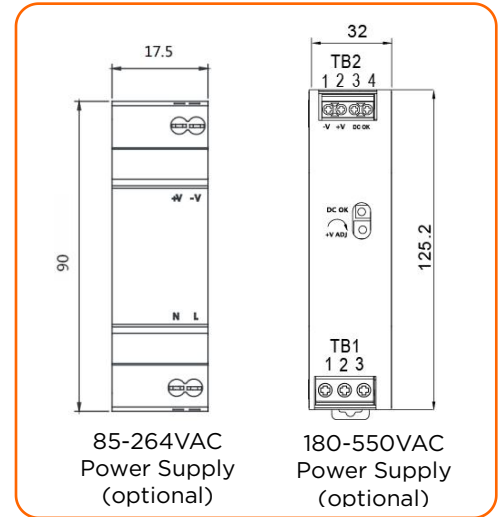
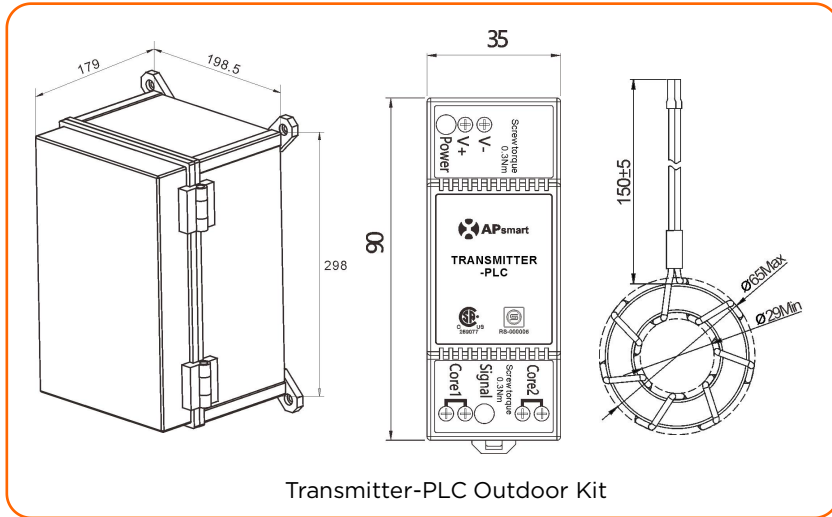
Transmitter-PLC Outdoor Kit includes a Transmitter-PLC with one or two cores, outdoor enclosure, 85-264VAC or 180-550VAC power supply. It could be used in residential or commercial project.



- ① RSD
- ② Transmitter-PLC Outdoor Kit
- ③ Inverter



- ① RSD
- ② Transmitter-PLC Outdoor Kit
- ③ Inverter
- ④ Emergency stop button box (optional): Press the emergency stop button, the transmitter AC power supply is disconnected, the RSD closes the output, and the system rapid shutdown.



Main electrical data

Input Voltage	12 VDC
Input Current	0.8A
Communication	PLC

Power Supply

Residential (optional)	85-264VAC Input, 12VDC Output, 90 mm x 17.5 mm x 58.4 mm
Commercial (optional)	180-550VAC Input, 12VDC Output, 125.2 mm x 32 mm x 102 mm

Core data

Max. Current	320A (160A*2)
Max. System Voltage	1500VDC
Internal Opening for Wires/Outside Dimensions	-29mm/65mm
Max. Supported PV Modules per String	30 modules

Max.Number Of Strings Per Core

DC Cable Diameter	Φ 5.9mm	Φ 6.35mm	Φ 7mm	Φ 8.6mm
Number Of Strings Per Core(without connector)	≤15	≤15	≤14	≤10

Environmental

Temperature	-40°C ~ +60°C
-------------	---------------

Structure data

Dimensions (W x H x D)	198.5 mm x 298 mm x 179 mm
Enclosure Environmental Rating	IP65

Features & Compliance

Safety Compliance	NEC 2017, 2020&2023 (690.12); UL1741; CSA C22.2 No. 330-17
EMC Compliance	FCC Part15; ICES-003



ORDERING INFORMATION

408004	Single Core Transmitter-PLC-Outdoor Kit, 180-550VAC Power Supply
408005	Dual Core Transmitter-PLC-Outdoor Kit, 180-550VAC Power Supply
408006	Single Core Transmitter-PLC-Outdoor Kit, 85-264VAC Power Supply
408007	Dual Core Transmitter-PLC-Outdoor Kit, 85-264VAC Power Supply
408010	Single Core Transmitter-PLC-Outdoor Kit, 180-550VAC Power Supply, Emergency button
408011	Dual Core Transmitter-PLC-Outdoor Kit, 180-550VAC Power Supply, Emergency button
408012	Single Core Transmitter-PLC-Outdoor Kit, 85-264VAC Power Supply, Emergency button
408013	Dual Core Transmitter-PLC-Outdoor Kit, 85-264VAC Power Supply, Emergency button

APsmart

8627 N Mopac Expy, Suite 150, Austin, TX 78759 | +1-737-218-8486 | +1-866-374-8538 | support@APsmartGlobal.com | APsmartGlobal.com