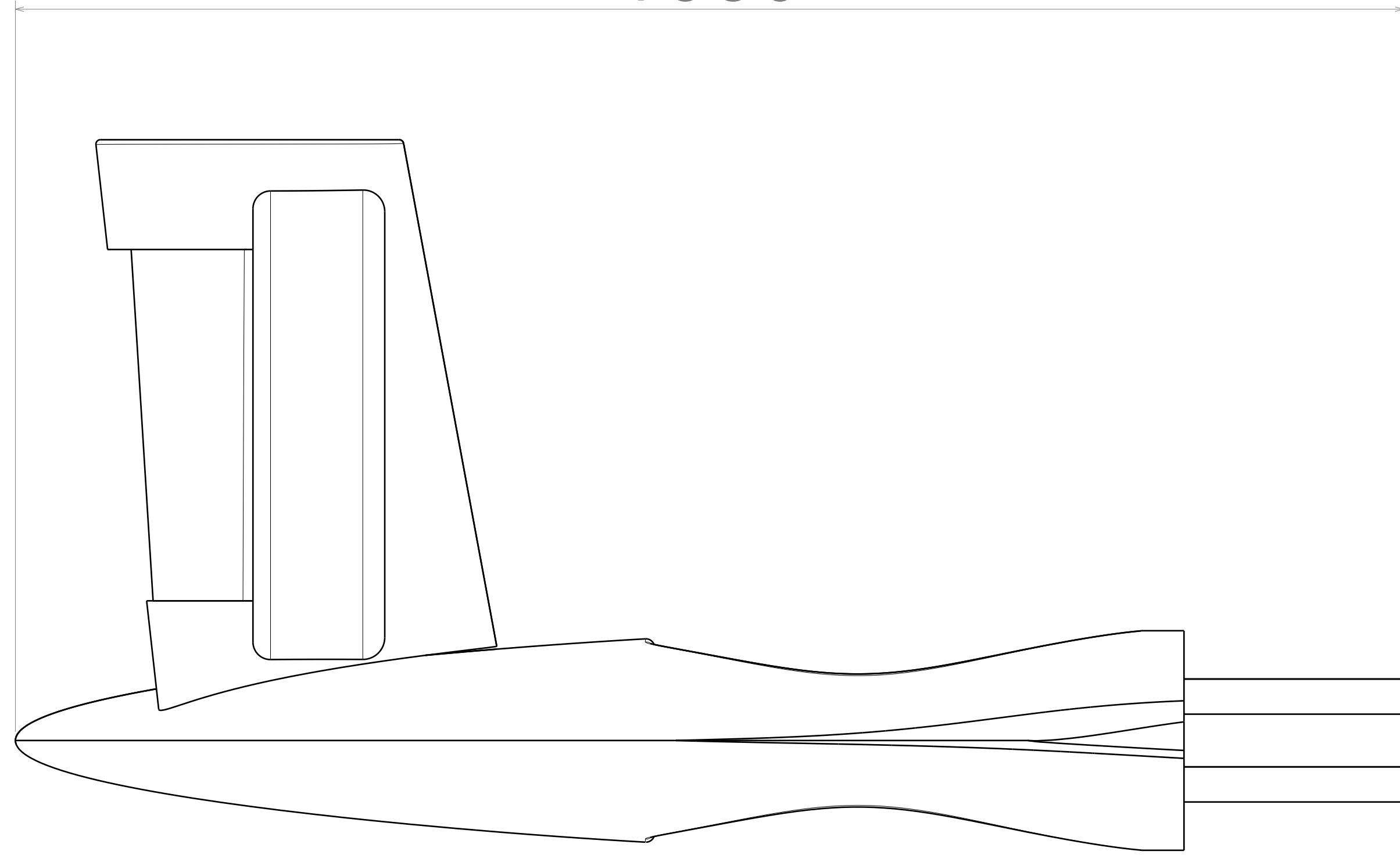
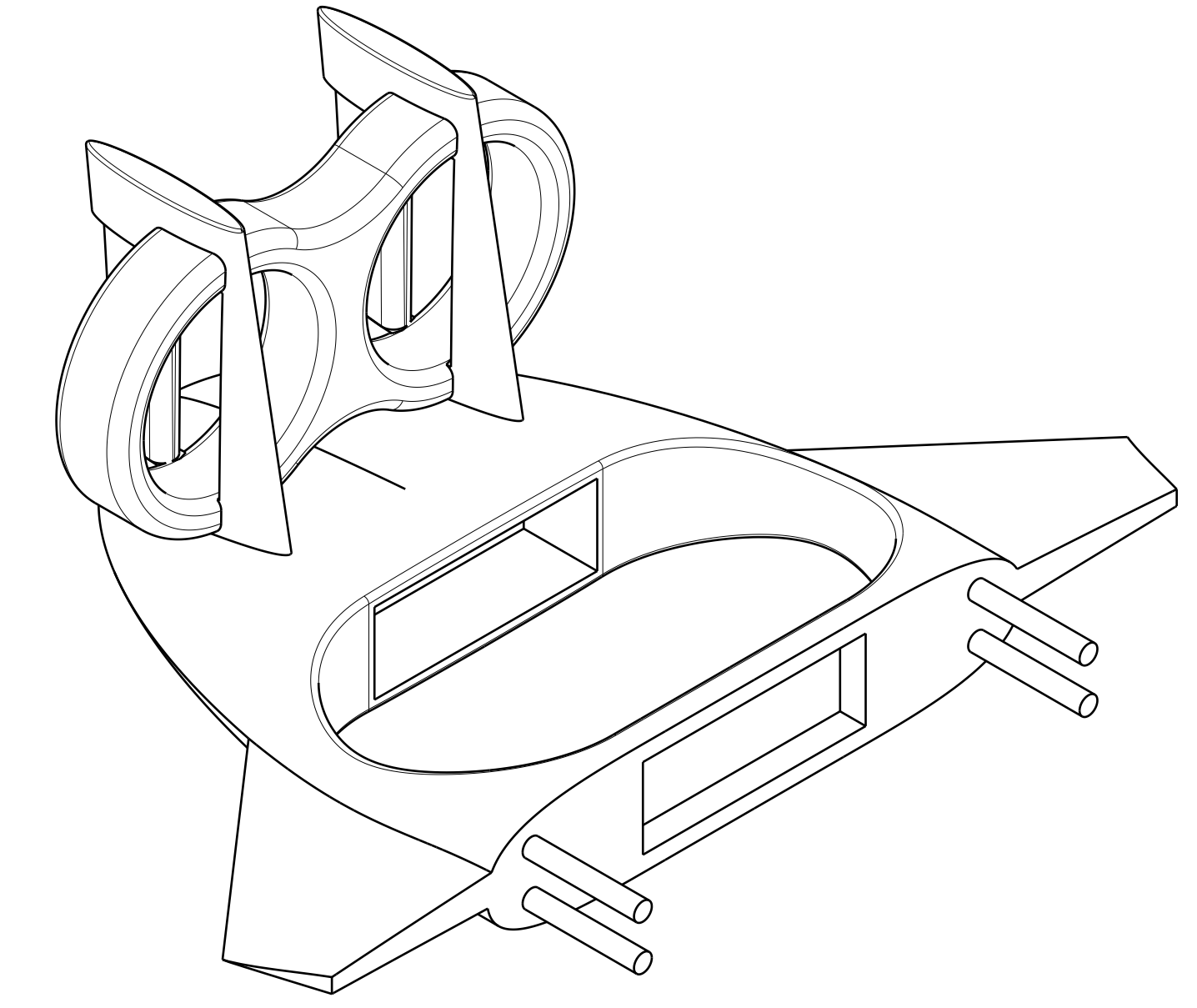
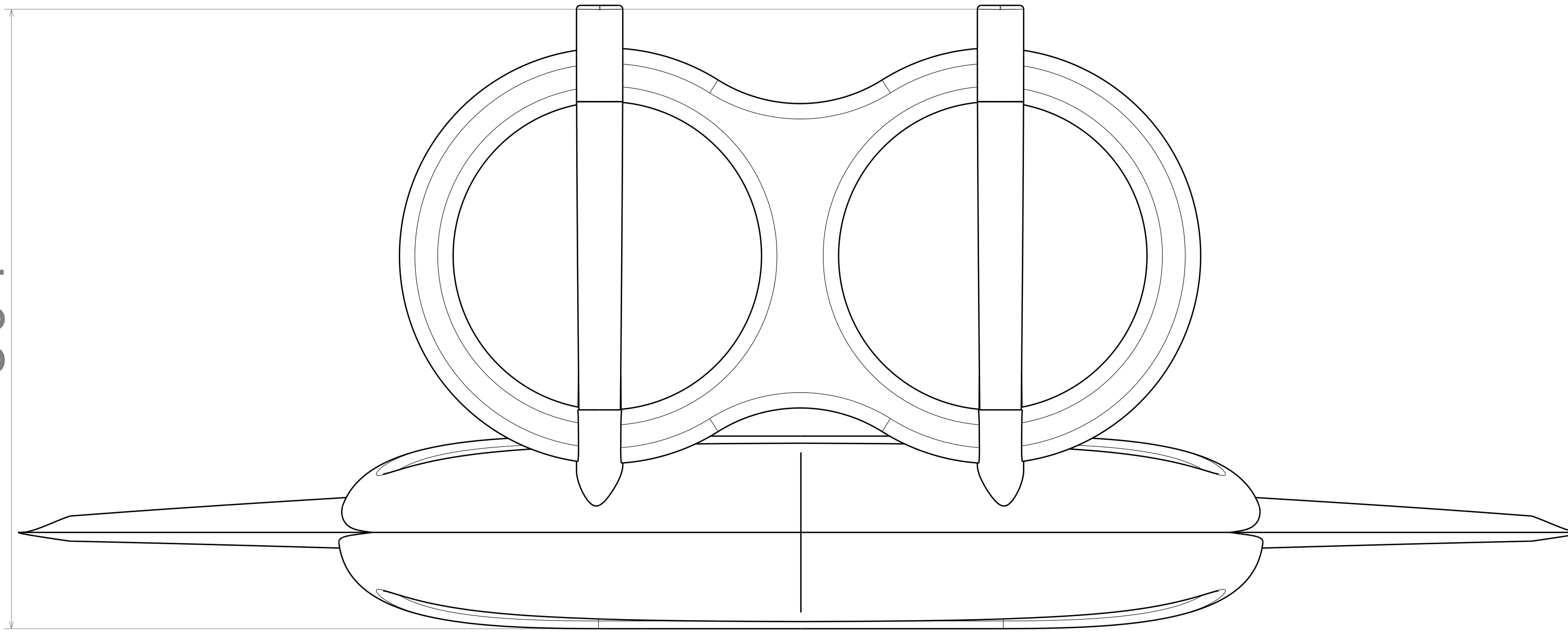


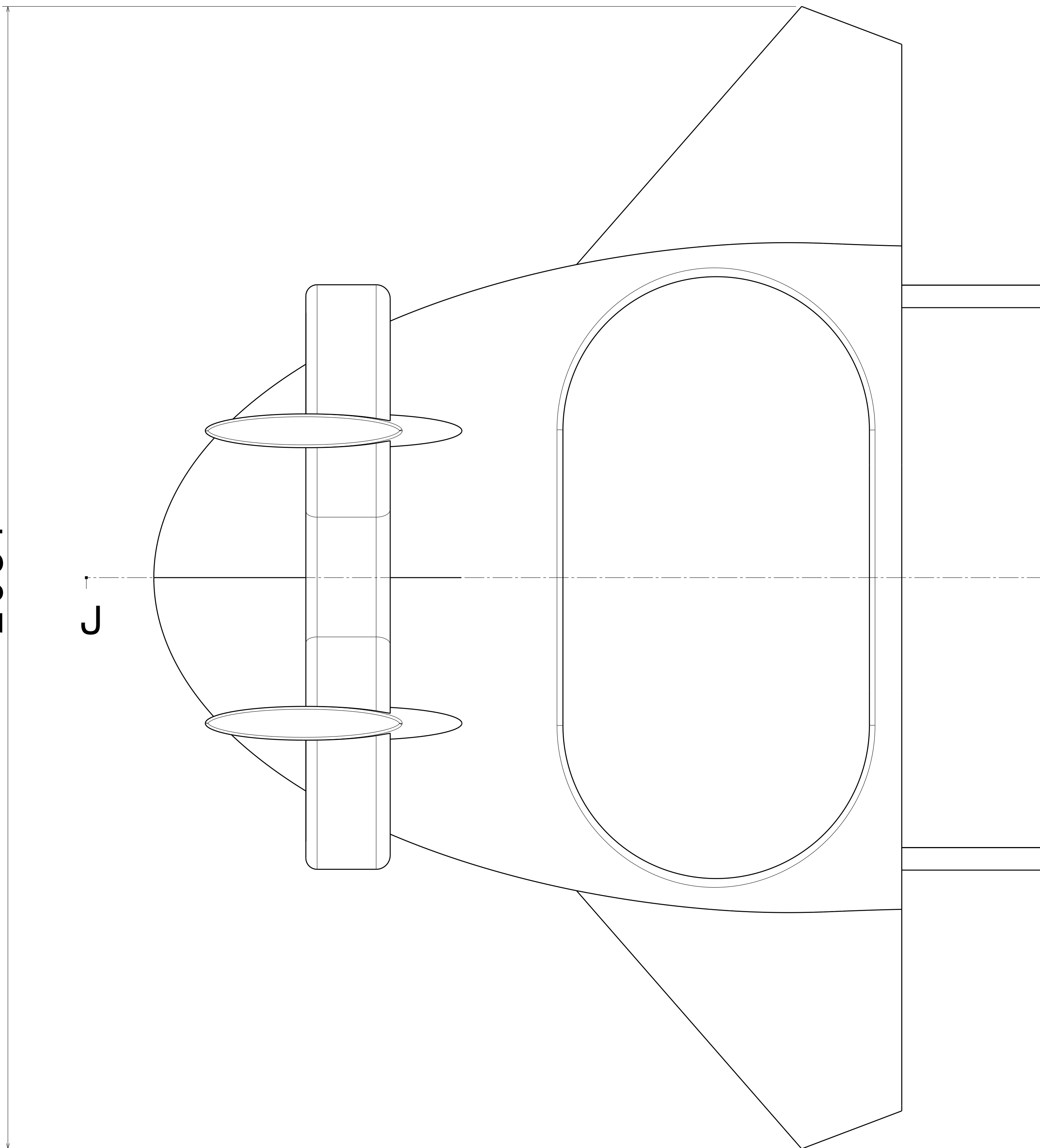
1580



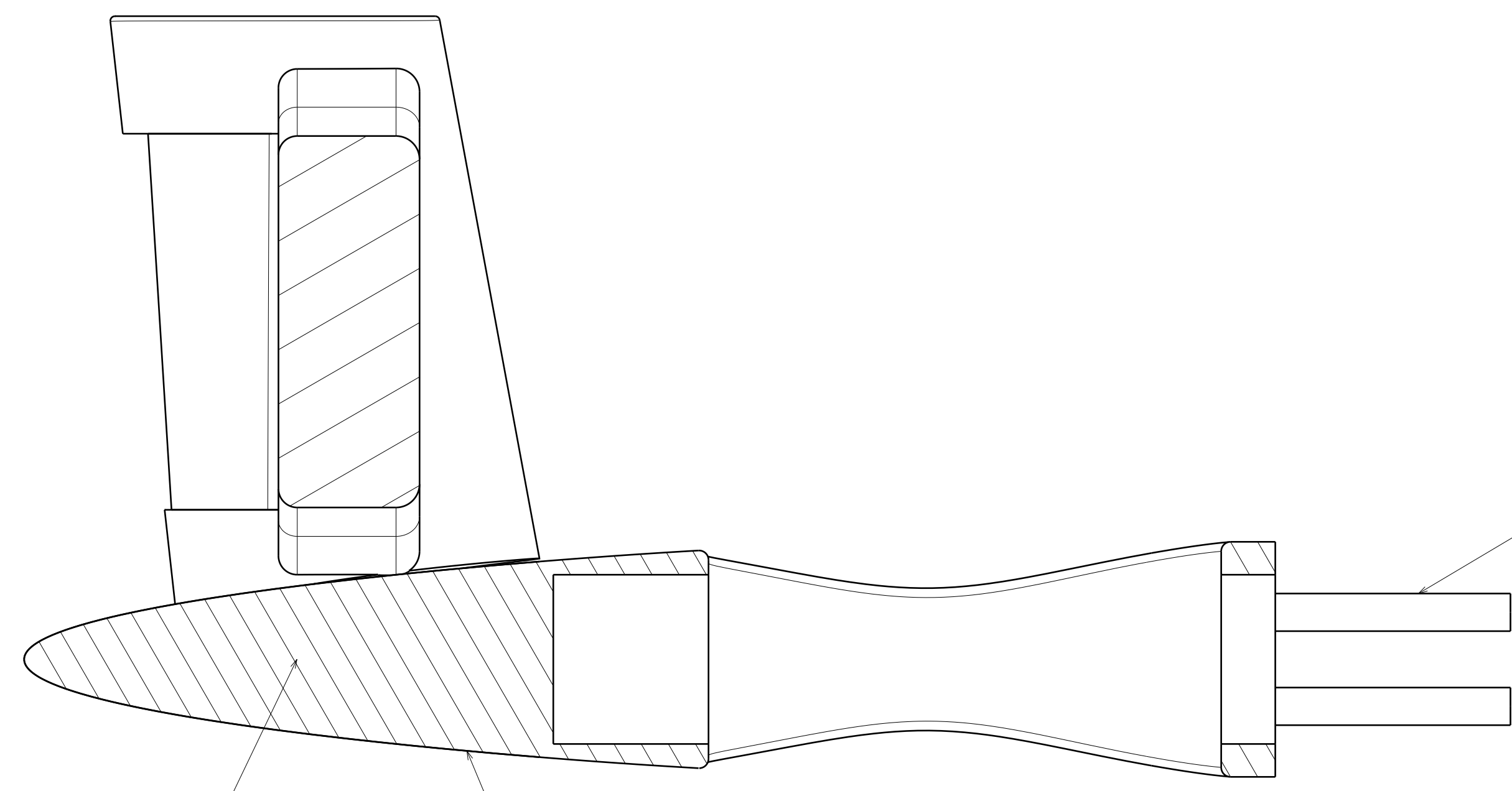
804



2031



2" ALUMINIUM TUBE FOR ASSY TO CTR FUSE



VARIABLE FOAM CORE

KEVLAR SKIN

SECTION J-J