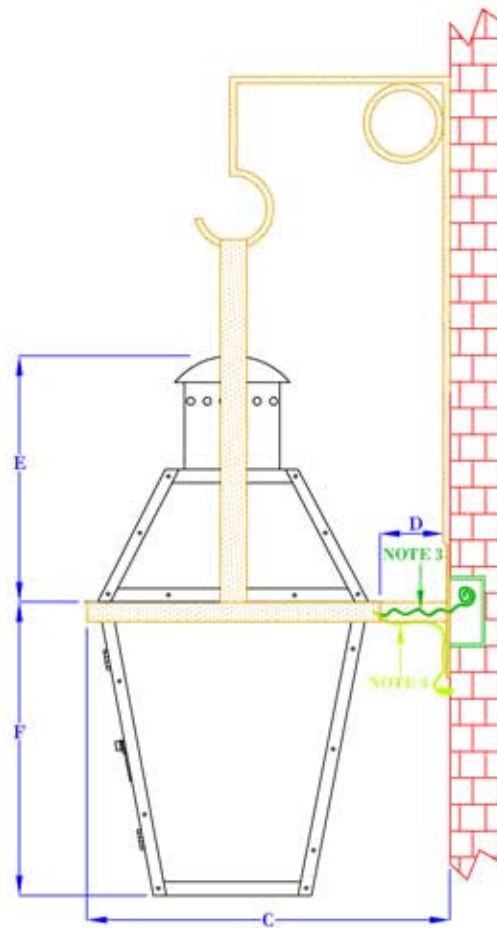
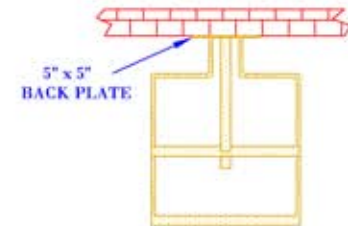


**FRONT VIEW**  
(NTS)



**SIDE VIEW**  
(NTS)



**TOP VIEW**  
(NTS-BRACKET ONLY)

**NOTES:**

1. MOUNTING HARDWARE SUPPLIED BY OTHERS
2. FIXTURES ARE HANDCRAFTED. DIMENSIONS MAY VARY PLUS OR MINUS  $\frac{1}{4}$ "
3. ELECTRIC LIGHTS SUPPLIED WITH 18/2 WIRE WITH GROUND
4. GAS LIGHTS SUPPLIED WITH  $\frac{3}{16}$ " COPPER GAS LINE AND  $\frac{3}{16}$ " x  $\frac{1}{4}$ " GAS LINE ADAPTOR

SIZE:	14"	18"	21"	24"	27"
A:	25 $\frac{7}{8}$ "	29 $\frac{3}{8}$ "	31 $\frac{5}{8}$ "	35 $\frac{7}{8}$ "	38 $\frac{7}{8}$ "
B:	14 $\frac{1}{4}$ "	15 $\frac{7}{8}$ "	17 $\frac{1}{4}$ "	20 $\frac{1}{2}$ "	23 $\frac{3}{4}$ "
C:	11 $\frac{3}{4}$ "	13"	14"	15 $\frac{3}{4}$ "	17"
D:	2 $\frac{1}{2}$ "	2 $\frac{1}{2}$ "	2 $\frac{1}{2}$ "	2 $\frac{1}{2}$ "	2 $\frac{1}{2}$ "
E:	6 $\frac{1}{4}$ "	7 $\frac{5}{8}$ "	9 $\frac{3}{8}$ "	12 $\frac{3}{8}$ "	11 $\frac{7}{8}$ "
F:	8"	10 $\frac{1}{8}$ "	11 $\frac{1}{2}$ "	12 $\frac{7}{8}$ "	14 $\frac{3}{8}$ "

# BEVOLO GAS & ELECTRIC LIGHTS

**LIGHT:**

**FRENCH QUARTER**

DRW BY: JJG

COPYRIGHT 2009, BEVOLO GAS & ELECTRIC LIGHTS. DRAWINGS & DESIGNS ARE OWNED BY BEVOLO AND REMAIN THE SOLE AND EXCLUSIVE PROPERTY OF BEVOLO GAS & ELECTRIC LIGHTS. DRAWINGS AND DESIGNS SHALL NOT BE DUPLICATED IN WHOLE OR PART.

DATE:

APP. BY: MAJ

**BRACKET:**

**YOKE HANGER BRACKET**

10-9-2010

REVISION:

4