

Product Info

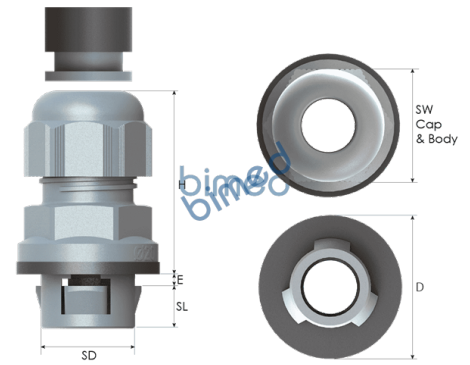
Polyamide cable glands, without thread

Snap-In Glands without Thread, Polyamide

w/o thread / Size M16 / 3,0-10,0mm / TL=9,0mm

BMOS-DS-11 , BMOS-DS-01 , BMOS-DS-21

- Easy assembly: push cable gland and turn body clockwise.
- For wall thickness 0,5 mm to 4,0 mm.
- High quality strain relief and sealing, reliable performance for standard industrial applications.
- Easy disassembly (with separate tool).



Images might not be representative of the actual colour, size or shape of the product listed



File Number	Standard
GOST	

Technical Details

Material	Body , Cap	PA 6 (Polyamide 6)	
	Gasket	CR (Chloroprene)	
	Seal	CR (Chloroprene)	
Ingress Protection Rating		IP 68 - 5 Bar, 30 min	
		IP 66	
UL Environmental Rating		TYPE 1, 4X acc. to UL 50E	
Flammability		V2 according to UL94	
Operating Temperature		Permanent	Intermittent
		-20 °C to +100 °C	-30 °C to +150 °C
Cable Type		Non Armoured	
Accessories		Dome plugs	
		Reducing seals	
		Flat cable seals	
		Multihole seals	
		Disassembly tools (one piece included per Minimum Order Quantity)	
Remarks		Different seal types available.	
		Manufactured according to DIN EN 62444/50262.	
		Accessories must be ordered separately.	
		Some approvals do not cover all colours or sizes.	
		Other colours on request: RAL 5015 (blue) , RAL 9003 (white) , RAL 3020 (red)	
Snap	Size	16	
	Length (SL)	9,0 mm	
	Ø (SD)	15,9 mm	
Clamping Range	Outer Sheath Ø min - max	3,0 - 10,0 mm	
	Seal Type	Double	
Wall Hole Ø		16,2 - 16,4 mm	
Spanner Width	Cap	22 mm	
	Body	22 mm	
Outer Ø (D)		26,5 mm	
max. Height (H)		44,5 mm	
Part Number	RAL 7035 light grey	BMOS-DS-11	
	RAL 7001 grey	BMOS-DS-01	
	RAL 9005 black	BMOS-DS-21	

