

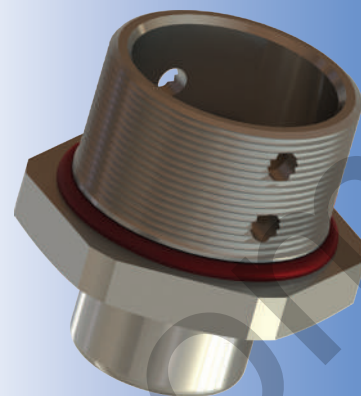
Drain Plugs, Metal

Drain Plugs

- Balances pressure differences between inner housing and the outside environment.
- Prevents damages according to pressure differences.
- Prevents the formation of water condensation in tightly-sealed standard housings.
- Membrane properties: hydrophobic, oleophobic.

Technical Details

| | | |
|----------------------------------|----------------------|--|
| Material | Body | Brass, Brass Nickel Plated, Stainless Steel |
| | Bushing | Bronze |
| | O-ring | Silicone |
| Ingress Protection Rating | | IP 68 - 5 Bar, 30 min |
| | | IP 66 |
| Operating Temperature | Seal Material | Silicone |
| | | -60°C to +85°C |
| Thread Type | | Metric (M) EN 60423 |
| | | NPT (N) ANSI ASME B1.20.1 |
| Accessories | | • Lock nuts |
| | | • Gaskets (Washers) |
| Remarks | | • We recommend the use of lock nuts and gaskets to ensure IP rating for rough surfaces or through holes. |
| | | • Accessories must be ordered separately. |
| | | • O-ring available in Metric threads. |
| | | |

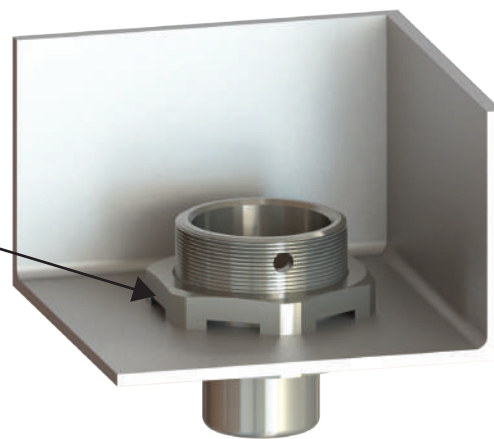


Threaded Hole



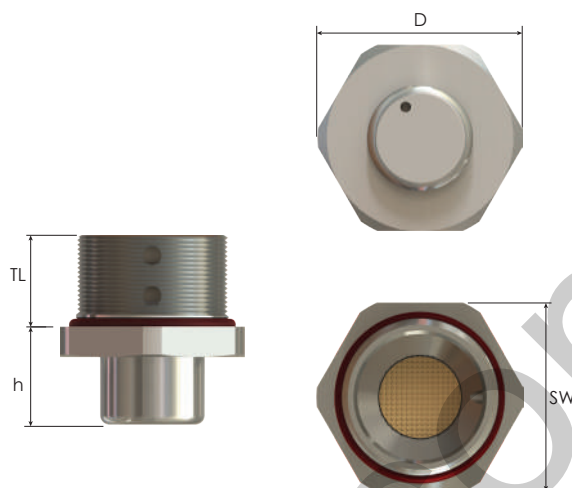
Non-Threaded Hole

Special Lock Nut for Drain Plug



| Order Coding | | | | |
|--------------|--|------------|---|------------|
| Part Number | Material | Seal | - | Lock Nut |
| Mandatory | Mandatory | Mandatory | - | Option |
| See table | B Brass BN Brass Nickel Plated X Stainless Steel | S Silicone | - | L Lock Nut |
| Example | | | | |
| IBDRV-1M | BN | S | - | L |

Drain Plugs, Metal

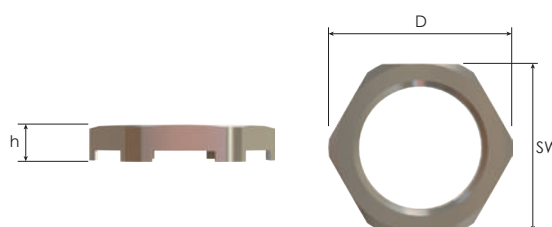
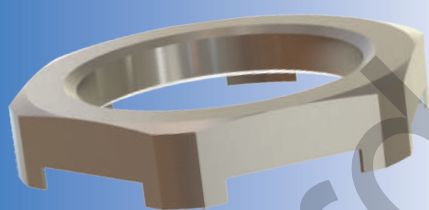


Thread Type **METRIC** acc. to EN 60423

| Outer Thread Size (Male) | Outer Thread Length | Spanner Width | Outer Ø | | Part Number | Minimum Order Quantity |
|--------------------------|---------------------|---------------|---------|------|-------------|------------------------|
| | TL mm | | SW mm | D mm | | |
| M20x1,5 | 15,0 | 25 | 27,5 | 16,0 | IBDRV-1M | 189 |
| M25x1,5 | 15,0 | 30 | 33,0 | 16,0 | IBDRV-2M | 105 |

Thread Type **NPT** acc. to ANSI ASME B1.20.1

| Outer Thread Size (Male) | Outer Thread Length | Spanner Width | Outer Ø | | Part Number | Minimum Order Quantity |
|--------------------------|---------------------|---------------|---------|------|-------------|------------------------|
| | TL mm | | SW mm | D mm | | |
| NPT 1/2" | 16,0 | 25 | 27,5 | 16,0 | IBDRV-1N | 189 |
| NPT 3/4" | 16,0 | 30 | 33,0 | 16,0 | IBDRV-2N | 105 |



Special Lock Nuts for Drain Plugs

| Inner Thread Size (Female) | Spanner Width | Outer Ø | | Part Number | Minimum Order Quantity |
|----------------------------|---------------|---------|------|-------------|------------------------|
| | SW mm | D2 mm | h mm | | |
| M20x1,5 | 25 | 27,5 | 5,0 | BDRL-03 | 189 |
| M25x1,5 | 30 | 33,0 | 5,0 | BDRL-04 | 105 |
| NPSL 1/2" | 25 | 27,5 | 5,0 | BDRLN-03 | 189 |
| NPSL 3/4" | 30 | 33,0 | 5,0 | BDRLN-04 | 105 |