

## Product Info

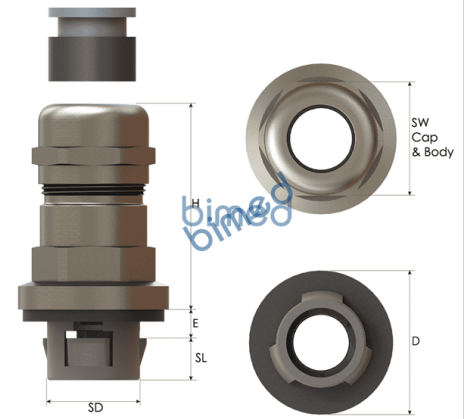
Brass cable glands, without thread

**Snap-In Cable Glands without Thread, Brass**

w/o thread / Size M16 / 3,0-7,0mm / TL=9,0mm

**BBOS-11R**

- Easy assembly: push cable gland and turn body clockwise.
- For wall thickness 0,5 mm to 4,0 mm.
- High quality strain relief and sealing, reliable performance for standard industrial applications.
- Easy disassembly (with separate tool).



Images might not be representative of the actual colour, size or shape of the product listed



File Number	Standard
GOST	

### Technical Details

Material	Body , Cap	Brass Nickel plated	
	Seal	CR ( Chloroprene )	
	Gasket	CR (Chloroprene)	
	Clamping Insert	PA 6 (Polyamide 6)	
	Lower Body	PA 6 (Polyamide 6)	
Ingress Protection Rating		IP 68 - 5 Bar, 30 min IP 66	
Flammability		V2 according to UL94	
Approvals		The sealing material is UV resisted.	
Operating Temperature		<b>Permanent</b> -20 °C to +100 °C	<b>Intermittent</b> -40 °C to +150 °C
Cable Type		Non Armoured	
Accessories		Dome plugs	
		Reducing seals	
		Flat cable seals	
		Multihole seals	
		Disassembly tools (one piece included per Minimum Order Quantity)	
Remarks		Different seal types available.	
		In compliance with DIN EN 62444.	
		Accessories must be ordered separately.	
Snap	Size	16	
	Length (SL)	9,0 mm	
	Ø (SD)	16,0 mm	
Clamping Range	Outer Sheath Ø min - max	3,0 - 7,0 mm	
	Seal Type	Single	
Enclosure Hole Ø		16,2 - 16,4 mm	
Spanner Width	Cap	20 mm	
	Body	20 mm	
Outer Ø (D)		28,3 mm	
max. Height (H)		47,0 mm	
Part Number		BBOS-11R	

