

Cable from motor to net



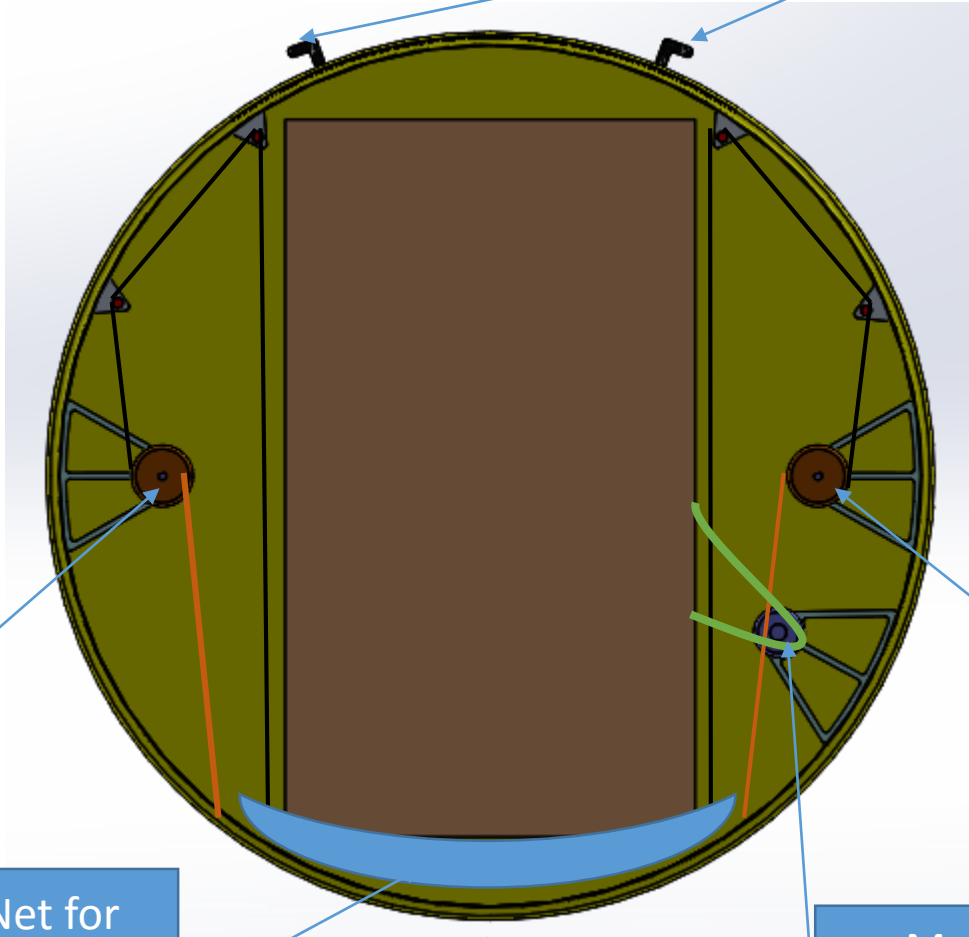
Cable from motor to bottom door



Belt from motor to rotating cylinder axis



Interface rail



Motor for pulling the package and the bottom door

Net for securing the package

Bottom door

Motor for rotating the cylinder

Motor for pulling the package and the bottom door

