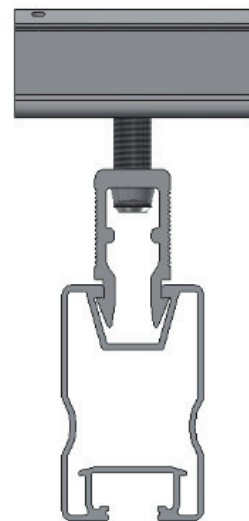


# RAPIDPRO MODULE CLAMP

**INSTALLATION GUIDE**



## Table of contents

RAPIDPRO MODULE CLAMP INSTALLATION GUIDE .....	3
TOOLS NEEDED .....	3
TIGHTENING TORQUE .....	3
SAFETY INSTRUCTIONS .....	3
VERTICAL INSTALLATION .....	4
1. PROFILE ARRANGEMENT .....	4
2. INSTALLING THE FIRST MODULE .....	4
3. INSTALLING FURTHER MODULES .....	5
4. INSTALLING THE FINAL MODULE .....	6
NOTE ON DISASSEMBLY .....	6

## RAPIDPRO MODULE CLAMP INSTALLATION GUIDE

### TOOLS NEEDED

- Screwdriver with Bit TX-drive T40 bit holder

### TIGHTENING TORQUE

- Screw connections M8 : 15 Nm

### SAFETY INSTRUCTIONS



Planning, installation and commissioning of the solar power system must only be performed by qualified technical personnel. Improper execution can result in damage to the system and premises and endanger persons.



Falling hazard! Working on the roof as well as ascending and descending poses a risk of falling. It is vital to observe accident prevention regulations and use appropriate fall protection equipment. PV mounting systems do not meet the existing normative requirements for climbing aids or fall protection measures. They are therefore neither suitable as climbing aids nor as fall protection and must not be used for these purposes.



Injury hazard! Falling objects pose a risk of injury to people. Prior to installation, set up barriers in the hazard area to warn people nearby.

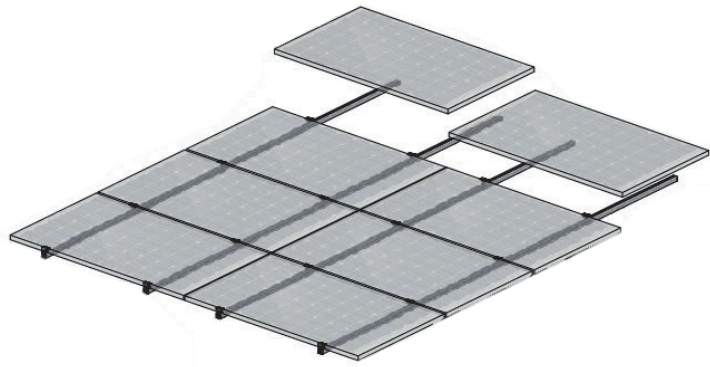


Break hazard! PV modules may be damaged if stepped on or if handled inappropriately.



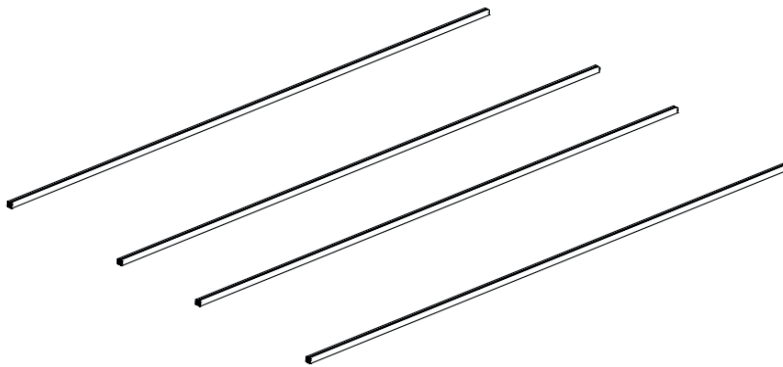
Electrical current hazard! Installation and maintenance of the PV modules must only be performed by qualified technical personnel. Observe the safety instructions issued by the PV module manufacturer!

## Vertical installation



### 1. PROFILE ARRANGEMENT

- Check that the arrangement of the module support profiles corresponds to their module configuration.



Observe the clamping points as per the manufacturer's instructions.

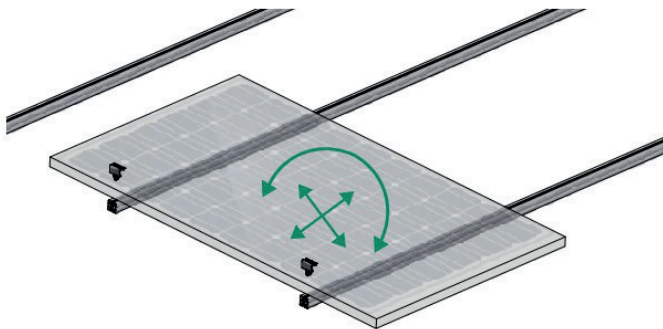


### 2. INSTALLING THE FIRST MODULE

- Place the module on the profile ends.
- Align the module.
- Click in 2 RapidPro end clamps and tighten the screws (TX-drive T40).
- Connect module cables accordingly.

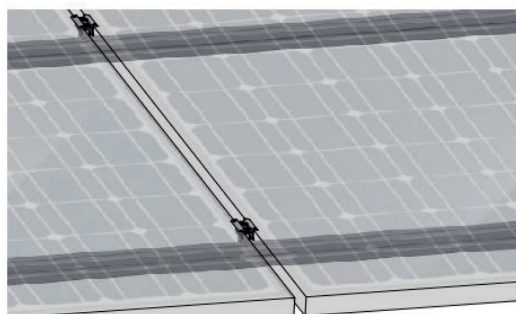
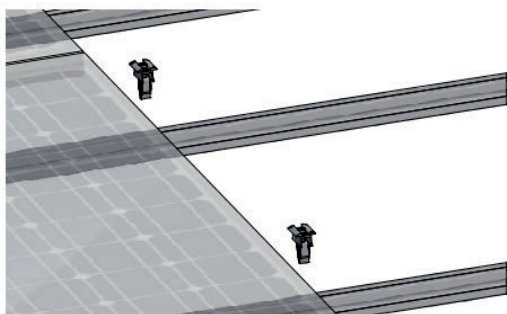


Insert end clamps at least 10 mm from the end of the profile.



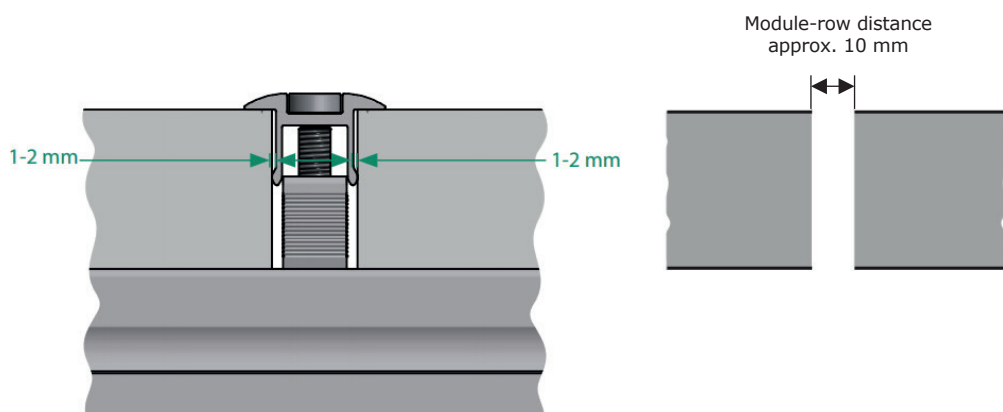
### 3. INSTALLING FURTHER MODULES

- Click in 2 RapidPro centre clamps.
- Place and align the next module.
- Connect module cables accordingly.
- Tighten screws.
- Repeat steps until the last module of the sequence is installed.



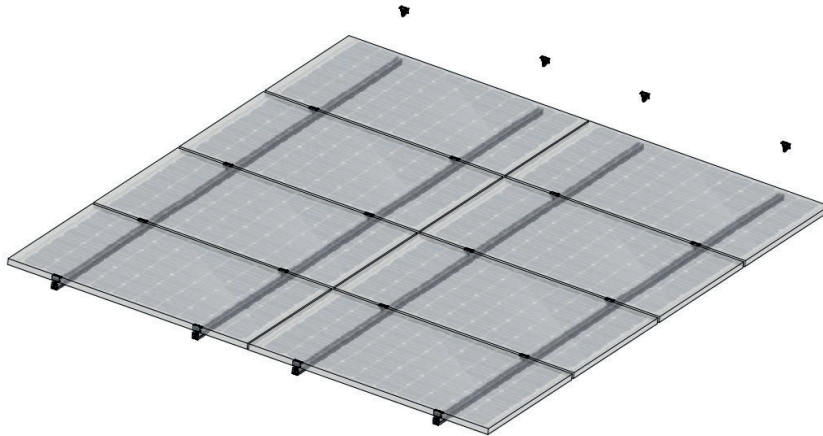
Observe module distance (see illustration)

- Distance of the modules between the module rows at least 10 mm or in accordance with the installation guidelines of the module manufacturers.

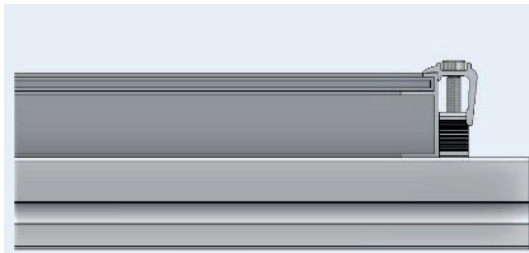


## 4. INSTALLING THE FINAL MODULE

- Click in 2 RapidPro end clamps and tighten the screws.



Please ensure that the clamp fits against the module frame (see illustration).



### Note on disassembly

To loosen or dismantle the module clamps, please proceed as follows: When loosening the clamps, pull the upper part of the clamp upwards together with the screw so that the clamp is loosened from the module frame and the screw does not unscrew from the upper part of the clamp.

Further information regarding our systems is available on our website:  
**[www.schletter-group.com](http://www.schletter-group.com)** under Downloads in the solar section.



**SCHLETTER**  
The Solar Mounting Group

SCHLETTER SOLAR GMBH  
Alustrasse 1  
83527 Kirchdorf  
GERMANY

[www.schletter-group.com](http://www.schletter-group.com)

We reserve the right to changes, including technical modification.