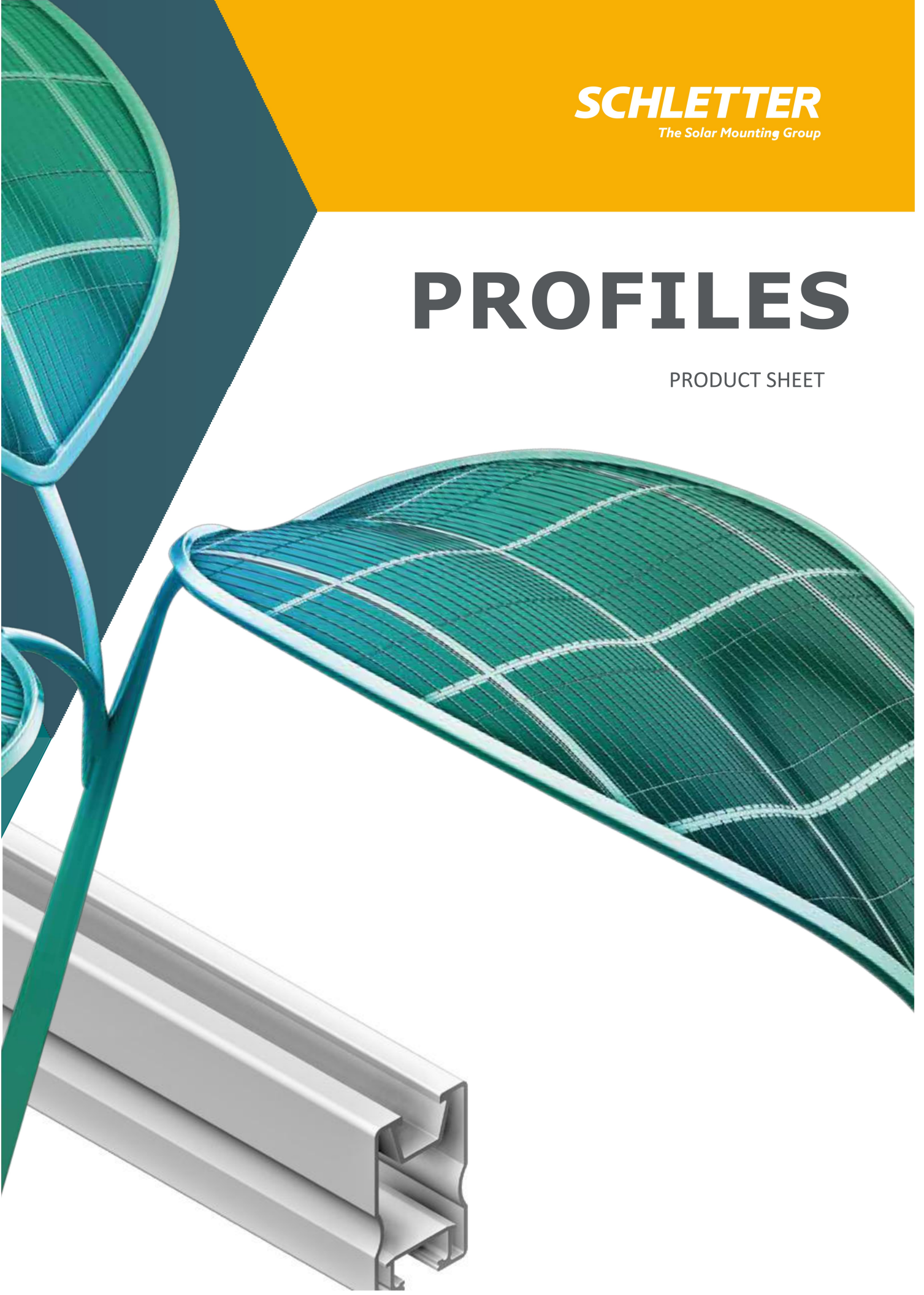


SCHLETTER
The Solar Mounting Group

PROFILES

PRODUCT SHEET



ProLine Profiles

The profile of the new ProLine series with the fitting accessories can be combined with attachments, connectors, and clamps of the ProLine series.

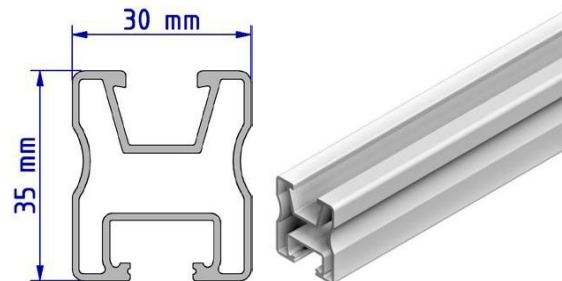
The structural analysis tables for cross beams and the load determination software can be found on the internet at

www.schletter-group.com (customer area > software download).

Module support profile Pro35

The mechanical connection of the module support profile Pro35 is made at the bottom with the M10 screw channel and at the top with the KlickNut Pro. The module support profile Pro35 with a height of 35mm and a width of 30mm.

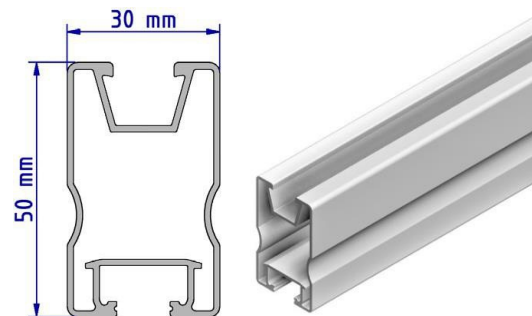
AL blank	
120020-02400	2400 mm
120020-04800	4800 mm



Module support profile Pro50

The Pro50 module support profile is also mechanically connected at the top with the KlickNut Pro and at the bottom with the M10 screw channel. The width remains unchanged at 30mm, and the height is as the name suggests, at 50mm.

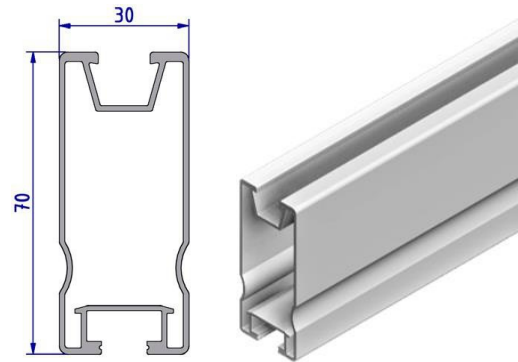
AL blank	
120021-04800	4800 mm
120021-006	6000 mm



Module support profile Pro70

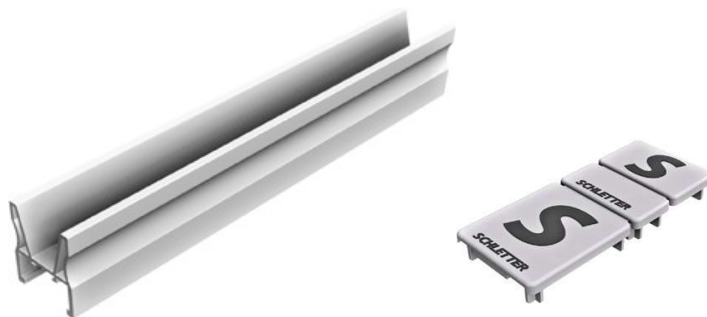
The highest module support profile is the Pro70 with a height of 70mm. The mechanical connection is again made by the KlickNut Pro at the top and the screw channel M10 at the bottom.

AL blank	
120022-04800	4800 mm
120022-006	6000 mm



ProLine profile accessories

129200-000	Pro internal connector	PU: 40
129200-010	Pro plastic end cap	PU: 100



SCHLETTER NA INC.

11529 Wilmar Blvd.
Charlotte, NC 28273

www.schletter-group.com

