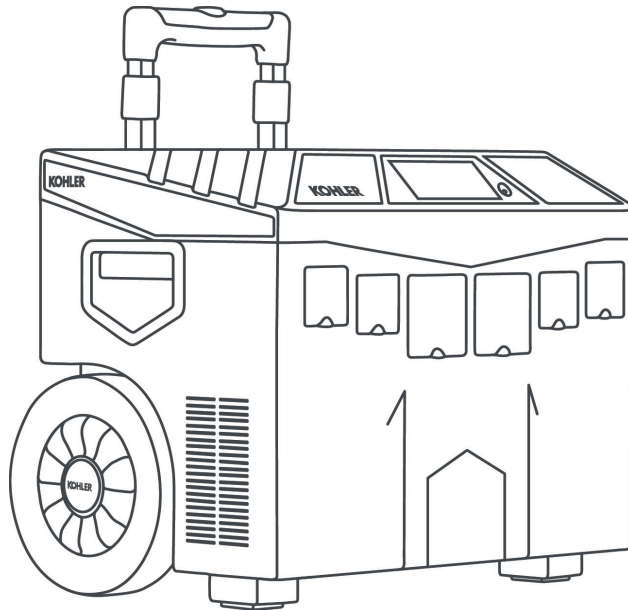


Model: **enCUBE1.8**

Portable Battery Inverter Generator

KOHLER[®]

ISO 9001
KOHLER
POWER SYSTEMS
NATIONALLY REGISTERED



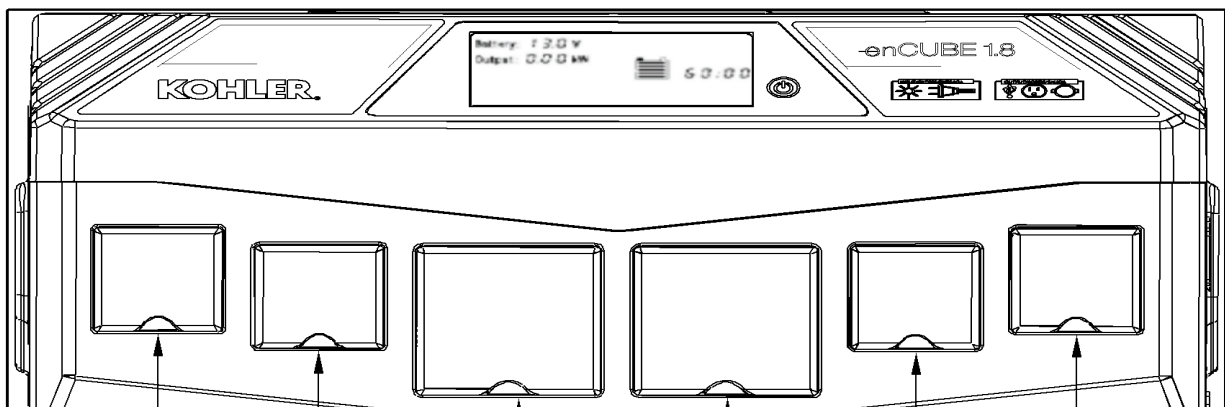
Description

The enCUBE™ is an indoor/outdoor portable battery inverter generator, ideal for camping, tailgating, job site usage or home backup during an outage. Producing 120 VAC and 5 and 12 VDC power, the enCUBE can be used to power up to 1440 continuous watts, 1800 maximum watts. Rechargeable either through a 120 V power cord plugged into a standard wall outlet or optional solar panels available in 60 W and 150 W sizes.

Standard Features

- **Portable**
Designed for power on the go, enCUBE comes with a built-in retractable handle, wheels and recessed side handles.
- **Safe Design**
With no engine or fueling, enCUBE is a clean power source with no emissions. Unlike traditional engine-powered generators, enCUBE can be safely used indoors. GFCI-protected AC outlets and low voltage auto shutdown protect your items and the battery.
- **Rechargeable**
Recharges from a standard 120 V wall outlet (cord included) or optional solar panels available in 60 W and 150 W configurations. Can be charged and discharged simultaneously.
- **Control Panel**
4 inch LCD display provides real time status on power inputs, outputs and runtime available.
- **Silent**
Unlike engine-powered generators, enCUBE is powered by a battery and operates without noise.
- **Storage**
Built-in storage lid provides place for keys, power cords and personal electronics.
- **UL 1778 / CSA listed / NEMA 1 Indoor Rated**
- **3-Year Limited Warranty***

Control Panel



2 X USB Ports (5 VDC) for powering small electronics

2 X 120 VAC outlets for powering large electronics, appliances and tools

2 X 12 V outlets for powering small & medium sized electronics.

* 90-day warranty if used in preferred condition.

Performance Specifications

Parameter	Inverter
Voltage	120 VAC
Frequency	60 Hz
Continuous Output	1440 W (12 A)
Maximum Output	1800 W (15 A) 10 min 3600 W (30 A) 300 ms
Output Waveform	Modified Sine Wave
Operating Temperature Range	0°C - 40°C (32°F-104°F)

Protection	- Low Battery Voltage Shutdown
	- High Temperature Protection
	- Overload Protection
	- Short Circuit Protection
	- GFCI Protection

Battery Type	Maintenance free sealed AGM lead acid battery
--------------	---

Battery Size	12 V 100 AH
--------------	-------------

Battery Weight	67 lbs
----------------	--------

Terminal Type	T11
---------------	-----

Parameter	AC Charging Input
AC Charging Input	90-130 VAC

Charging Process	Three Stage Process
	- Bulk Stage
	- Absorption Stage
	- Float Stage

Exchange Efficiency	>75%
---------------------	------

Parameter	DC Charging Input
DC Charging Input (Solar Panels)	10-24.5 VDC

Charging Process	Three Stage Process
	- Bulk Stage
	- Absorption Stage
	- Float Stage

Exchange Efficiency	>95%
---------------------	------

Fuse	One 20 A / 32 VDC fuse protecting the DC input terminal
------	---

Parameter	Charging Times
120 VAC	Under 13 Hrs* (Over time, battery may build up resistance and take longer to fully charge)

Solar Charging	24+ hours depending upon region of use and sun intensity.
----------------	---

Warranty - Residential	3 years
------------------------	---------

Warranty - Commercial	90 days
-----------------------	---------

Box Contents

- Battery Inverter
- 120 V, 6 Foot Power cord
- Operation Manual

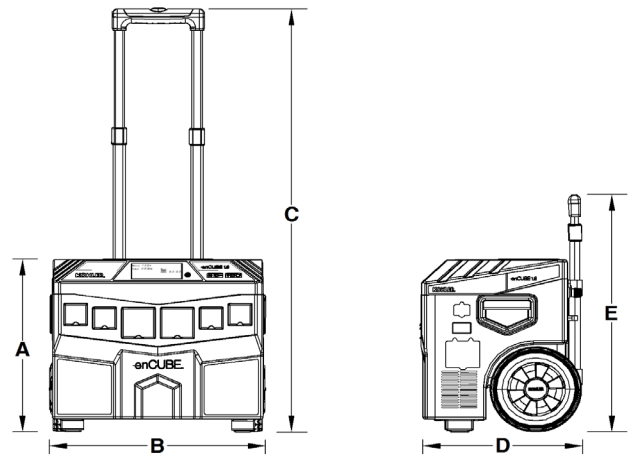
Available options

- 25 Foot Solar Panel Connection Cord
- 60 Watt Solar Panel
- 150 Watt Solar Panel
- Panel Parallel Connector Kit

NOTE: Panels can be combined for maximum charging (limited to 240 watts)

Generator Set Dimensions and Weights

A mm (in.):	406 (16)	Weights lbs (kg)	
B mm (in.):	470 (18.5)	Gross weight :	116 (52.6)
C mm (in.):	991 (39)	Net weight :	109 (49.4)
D mm (in.):	356 (14)		
E mm (in.):	559 (22)		



NOTE: Dimensions are provided for reference only and should not be used for planning installation. Contact your local distributor for more detailed information.

DISTRIBUTED BY: