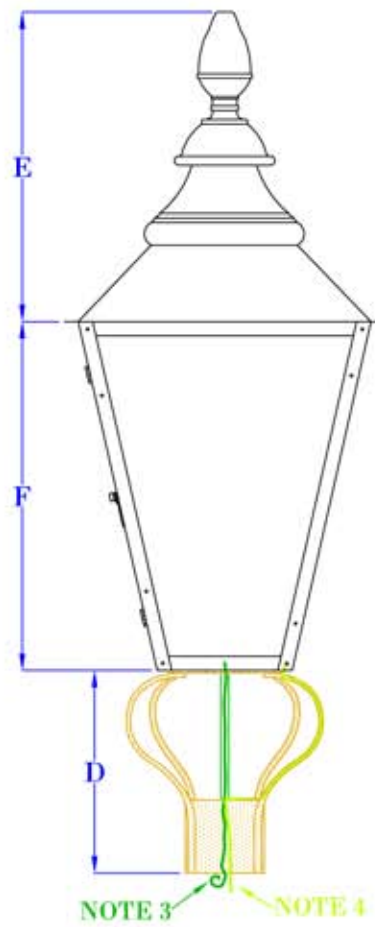


FRONT VIEW
(NTS)



SIDE VIEW
(NTS)



BOTTOM VIEW-POST MOUNT
(NTS-BRACKET ONLY)



SIDE VIEW-COLUMN MOUNT ADAPTOR
(NTS- BRACKET ONLY)

NOTES:

1. MOUNTING HARDWARE SUPPLIED BY OTHERS
2. FIXTURES ARE HANDCRAFTED. DIMENSIONS MAY VARY PLUS OR MINUS $\frac{1}{4}$ "
3. ELECTRIC LIGHTS SUPPLIED WITH 18/2 WIRE WITH GROUND
4. GAS LIGHTS SUPPLIED WITH 4" GAS NIPPLE AND $\frac{1}{8}$ IP x $\frac{1}{4}$ " GAS LINE ADAPTOR

SIZE:	25"	28"	35"
A:	33 $\frac{1}{2}$ "	37 $\frac{1}{4}$ "	43 $\frac{3}{4}$ "
B:	12 $\frac{1}{2}$ "	14 $\frac{1}{2}$ "	17 $\frac{7}{8}$ "
C:	5"x5"	5"x5"	5"x5"
D:	9"	9"	9"
E:	13"	13 $\frac{3}{4}$ "	16 $\frac{3}{4}$ "
F:	11 $\frac{1}{2}$ "	14 $\frac{1}{2}$ "	18"

BEVOLO GAS & ELECTRIC LIGHTS

LIGHT:

LONDON STREET

DRW BY: **JJG**

APP. BY: **MAJ**

COPYRIGHT 2009, BEVOLO GAS & ELECTRIC LIGHTS. DRAWINGS & DESIGNS ARE OWNED BY BEVOLO AND REMAIN THE SOLE AND EXCLUSIVE PROPERTY OF BEVOLO GAS & ELECTRIC LIGHTS. DRAWINGS AND DESIGNS SHALL NOT BE DUPLICATED IN WHOLE OR PART.

DATE:

10-18-10

REVISION:

1

BRACKET:

SPIDER POST MOUNT & COLUMN MOUNT