

# Continuous Galvanizing Zn-Al-Mg Alloys

## Technical Datasheet

### Uses

Pre-alloyed (lead free) Zinc-Aluminum-Magnesium alloys suitable for continuous galvanizing of iron and steel products.

### Chemical specification

Chemical specification*	Guaranteed analysis
Al	1.0 ~ 8.0%
Mg	0.5 ~ 3.0%
Pb	≤ 0.005%
Cd	≤ 0.003%
Fe	≤ 0.004%
Sn	≤ 0.001%
Cu	≤ 0.001%
Zn	balance

\* Extra impurity elements or control tolerance might be added based on commercial agreement

### Available shapes/package

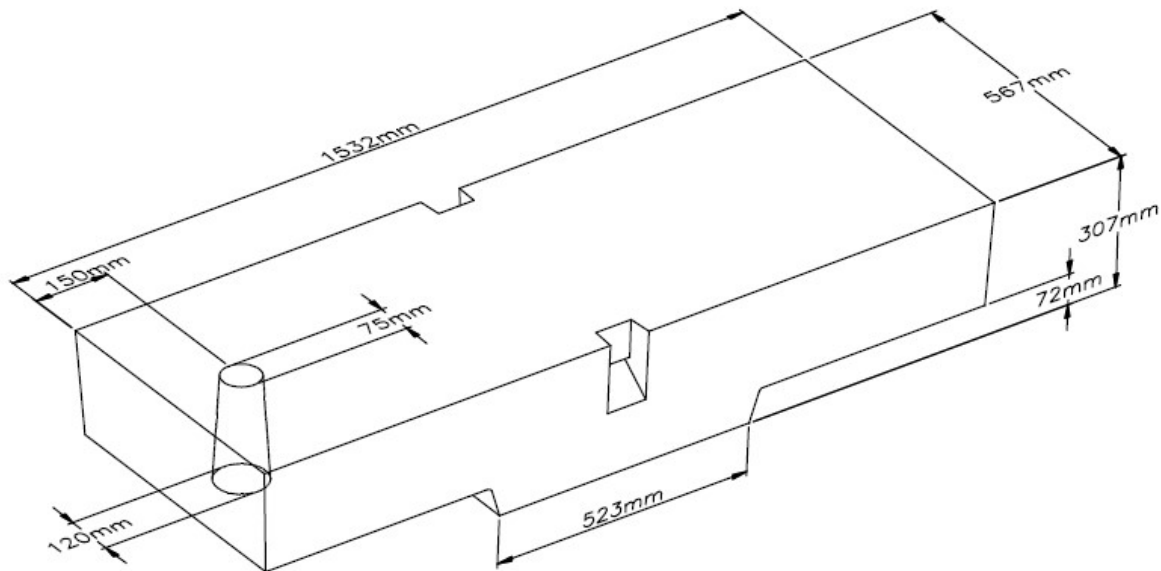
Shape/package	Nominal weight (in kg)	Dimensions (in mm)
Europe		
Block Jumbo 1450 kg	1400	1532 x 567 x 307
Block Jumbo 1950 kg	1900	2135 x 490 x 370

# Continuous Galvanizing Zn-Al-Mg Alloys

## Technical Datasheet

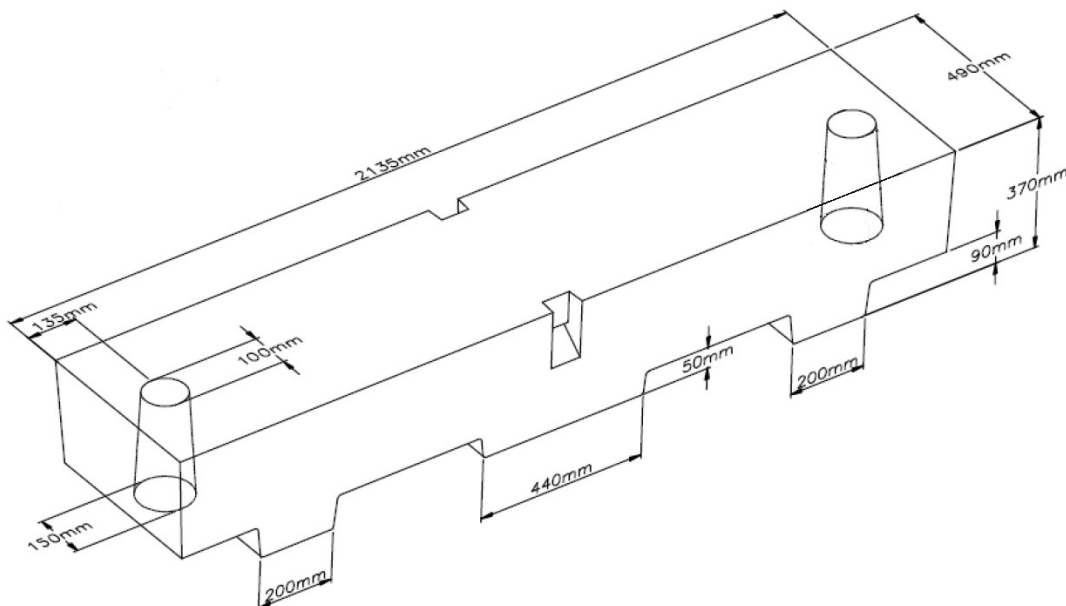
**Block (Jumbo) 1450 kg, 1 hole**  
Europe

**Nominal mass  $1450 \pm 100$  kg**  
**Dimensions 1532 x 567 x 307**



**Block (Jumbo) 1950 kg, 1 or 2 holes**  
Europe

**Nominal mass  $1950 \pm 50$  kg**  
**Dimensions 2135 x 490 x 370**

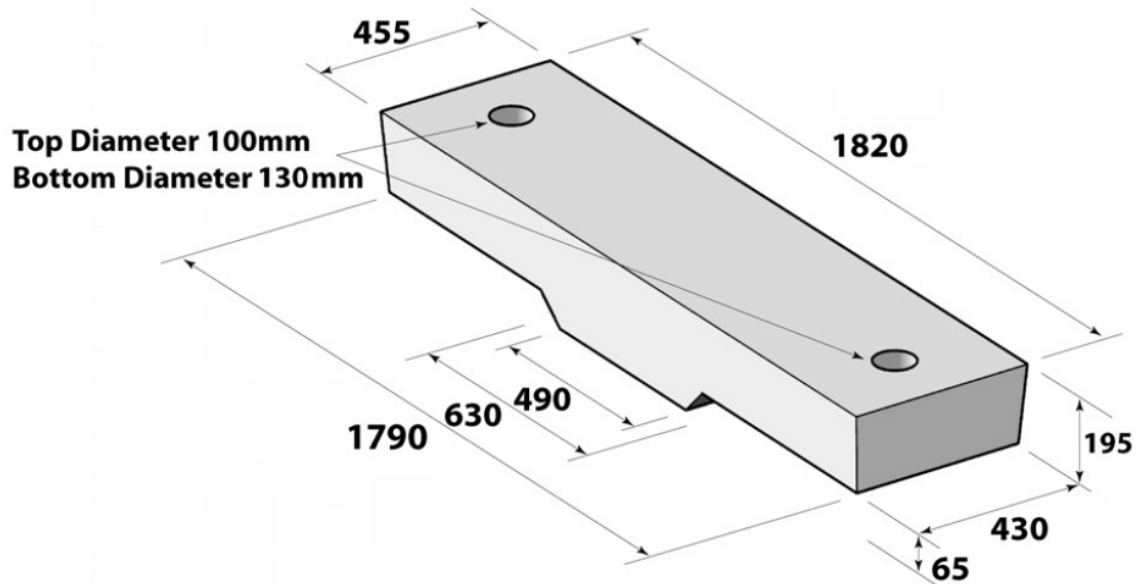


# Continuous Galvanizing Zn-Al-Mg Alloys

## Technical Datasheet

L block (Jumbo), 2 holes  
Australia

Nominal mass  $1135 \pm 45\text{kg}$   
Dimensions  $1820 \times 455 \times 260$



G block (Jumbo), 2 holes  
Australia

Nominal mass  $1089 \pm 30\text{kg}$   
Dimensions  $1410 \times 460 \times 290$

