

1

2

3

4

5

6

7

8

A

B

C

D

E

F

A

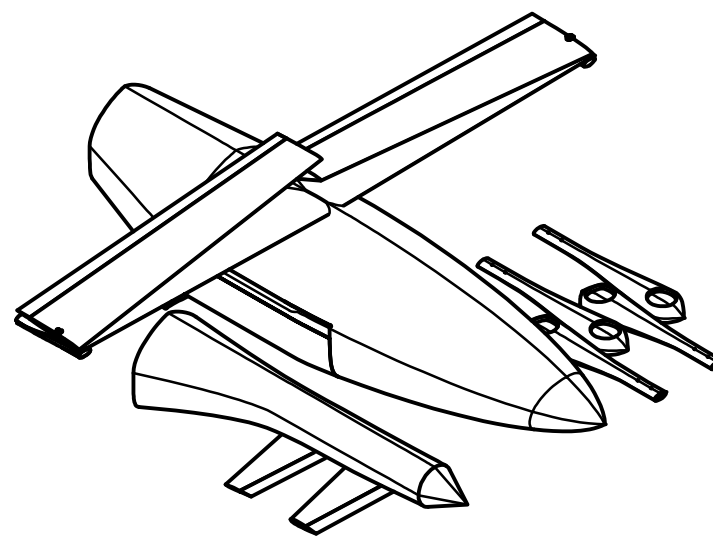
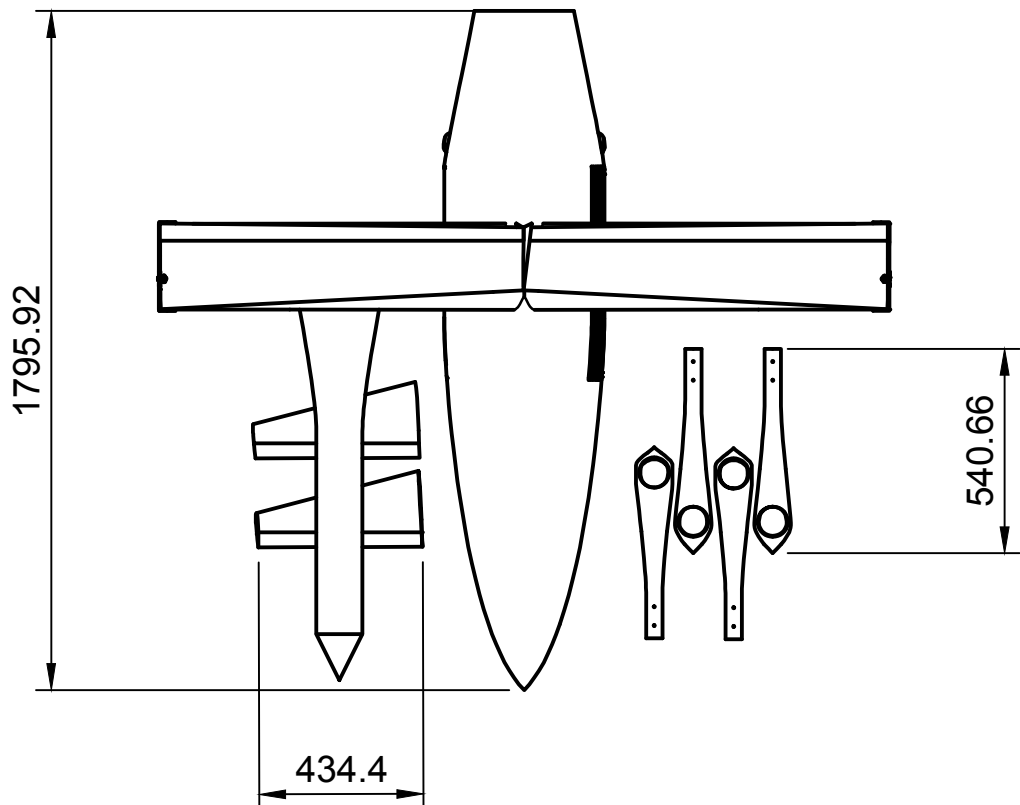
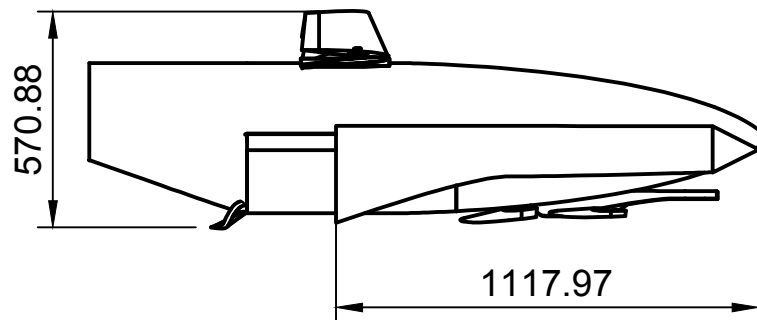
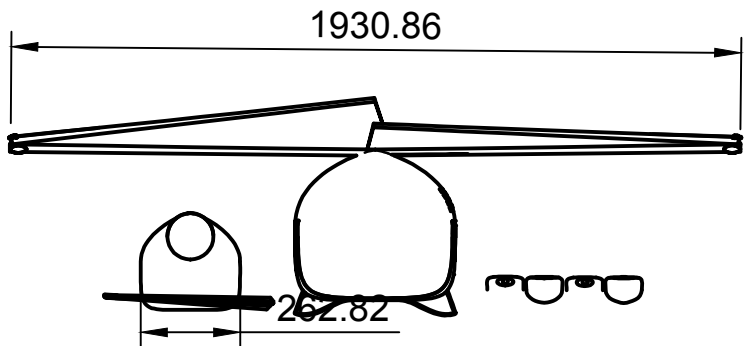
B

C

D

E

F



Dept.	Technical reference	Created by	Approved by	
		Document type	Document status	
		Title	DWG No.	
		Disassembly Break down	Rev.	Date of issue
			Sheet	

1

2

3

4

5

6

7

8