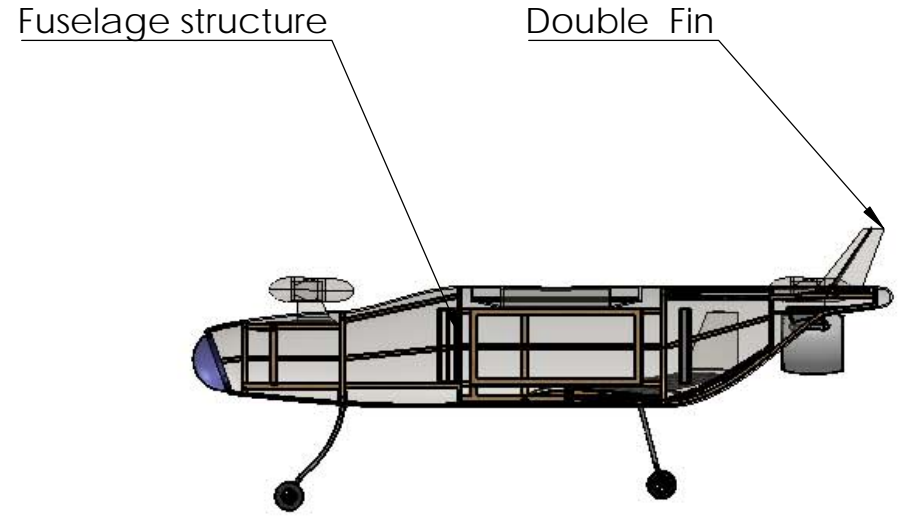
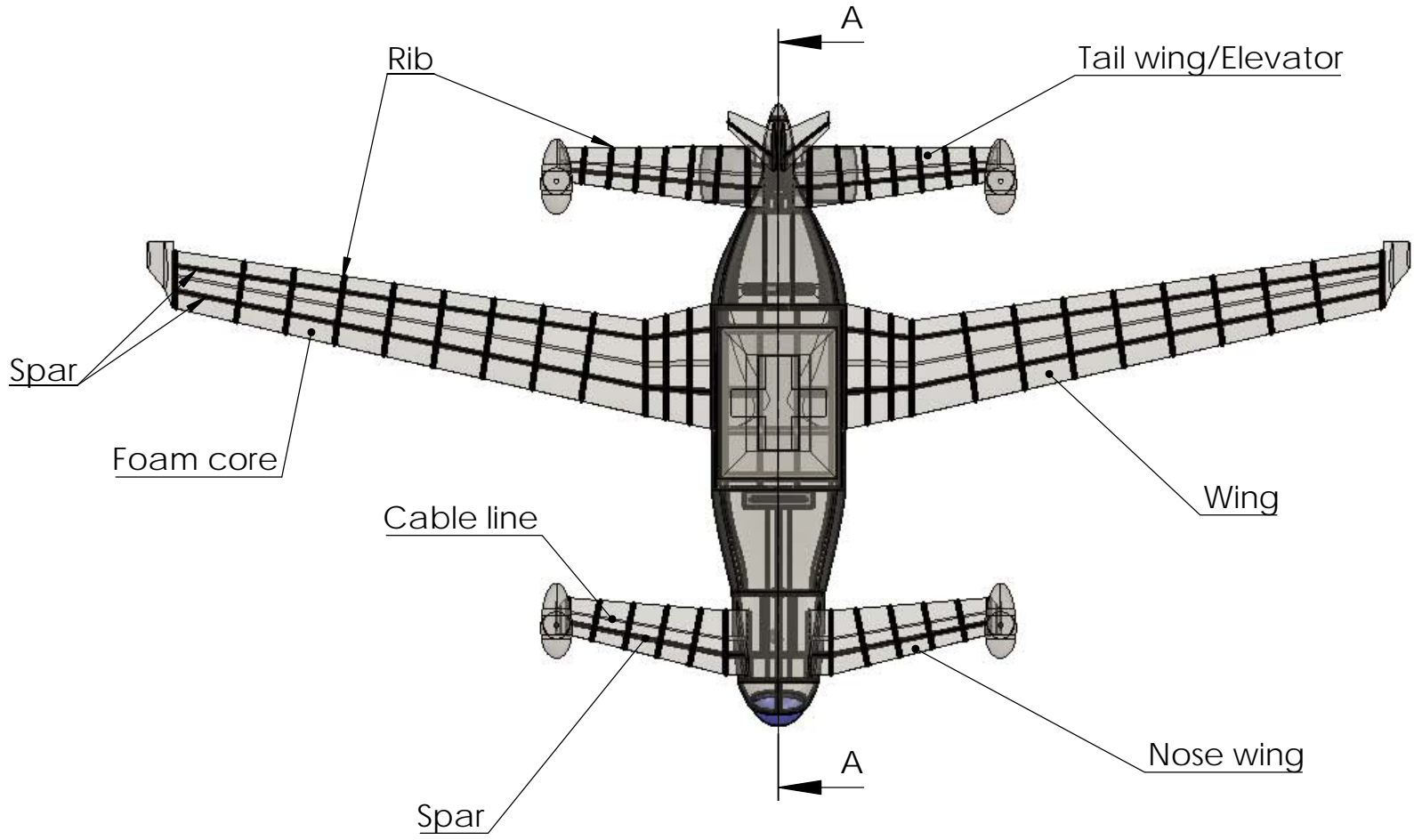


Pasoepati I

Structure configurations



SECTION A-A
SCALE 1 : 20

Material Fuselage
Structure : Carbon Fiber with foam/balsa core
Skin : CFRP

Material Wing, Elevator, and fin
Spar : Carbon fiber foam core
Rib : Balsa wood
Core : Foam
Skin : CFRP

Airfoil
Nose wing : MH 32 10 %
Wing : MH 32 10 %
Elevator : NACA 0009
Fin : NACA 0009

Landing Gear
Structure : Carbon Fiber foam core
Wheel : 3 in